

**High Rise Energy saving damper
Pak-10**

APPLICATION AND DESIGN

The Pak-10 is designed to maximize energy efficiency and has a simple installation process. This flexible design can handle job specific CFM requirements. A Removable panel makes the actuator easily accessible. The Pak-10 installs easily behind the grille and drywall depths of 1/2"[12.7mm], 5/8"[15.88mm], or 3/4"[19.05mm]. It works well for retro-fit or new construction applications.

STANDARD CONSTRUCTION

DAMPER FRAME:

4-1/2"[114mm] deep 0.081"[2.06mm] extruded alum.

BLADE:

Single blade 0.081"[2.06mm] extruded alum. (up to 8"[203mm] high)
0.090"[2.29mm] alum. (over 8"[203mm] high)

SLEEVE:

8"[203mm] deep 20 ga galvanized with 2"[51mm] duct collar

BLADE SEAL:

PVC

JAMB SEAL:

Compression (stainless steel)

MOUNTING FLANGE:

Alum. construction, for 5/8"[15.88mm] drywall (drywall by others)

BLADE AXLES:

1/2"[12.7mm] Ø cast zinc with thrust bushings

BEARINGS:

bronze oilite

LINKAGE:

direct connection

MAXIMUM SIZE:

16"w 12"h [406mm x 305mm]

MINIMUM SIZE:

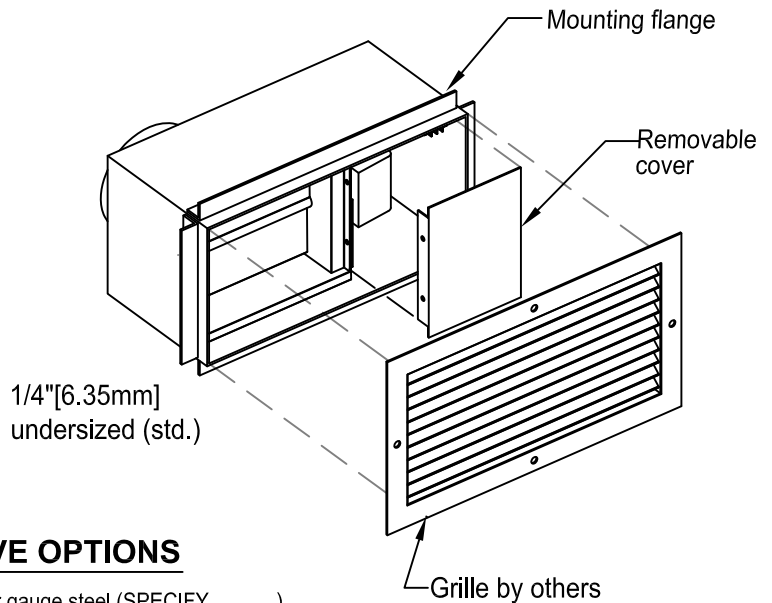
8" w x 6" h [203mm x 152mm]

FINISH:

Mill Aluminum

ACTUATOR:

UL listed, Electric 24V - 120V



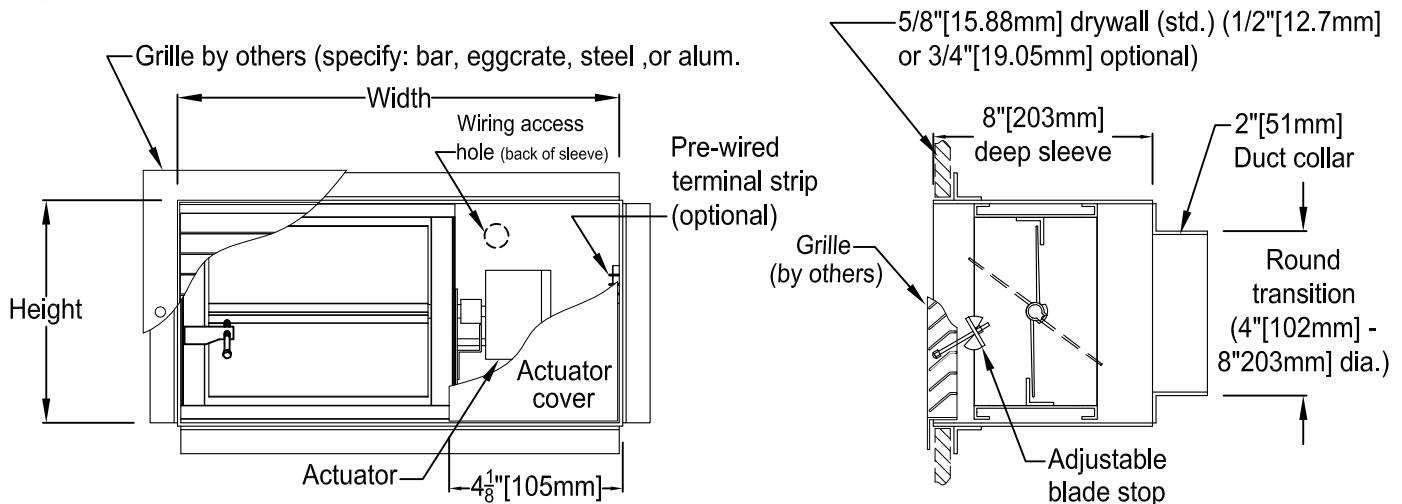
SLEEVE OPTIONS

- Heavier gauge steel (SPECIFY _____)
- Stainless steel (SPECIFY GAUGE _____)
- Aluminum (SPECIFY THICKNESS _____)
- Mounting flange for 1/2"[12.7mm] drywall
- Mounting flange for 3/4"[19.05mm] drywall

OTHER OPTIONS

- Pre-wired terminal strip

QTY.	WIDTH	HEIGHT	GRILLE TYPE	TAG



Job Name:	<input type="checkbox"/> Pak-10		
Location:			
Architect:	DRAWN BY: CLJ	DATE: 2-9-07	REV. DATE: 10-3-13
Engineer:	REV. NO. 8	APPROVED BY: BGT	DWG. NO.: G-4
Contractor:			