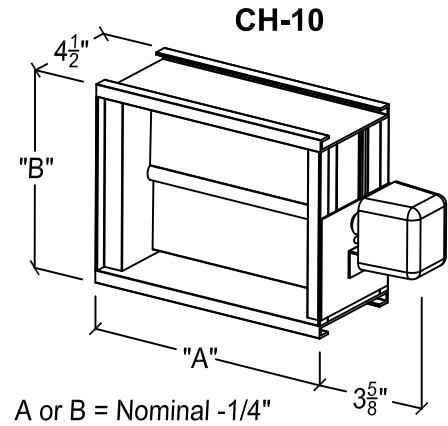
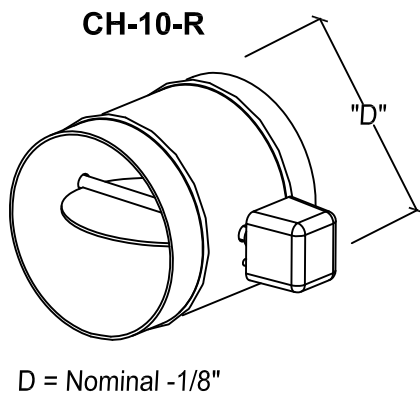


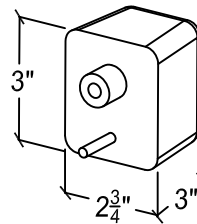
EXHAUST, O.A. DAMPERS



The Model CH-10 was developed in response to retrofit bathroom (restroom) in high rise hotels, office buildings, and apartment buildings. The units are powered by a direct couple spring return actuator. Also recommended for new construction, exhaust, intake, and on-off zone control. This is one of the most economical powered dampers on the market. It balances the contractors demand for a low cost, but well built, quality zone damper.

SIZES AVAILABLE:
thru 24" x 12" Rectangular
6", 8", 10", 12" Round
(Available in 24 or 115 VAC)

Consult Factory for other sizes
 Such as 16x6, 12x8, etc...



Note: cycle tested and
 manufactured in the USA.

24 VAC 60 Hz 32 Amp 8 VA
 110 VAC 50/60 Hz 6W/5W

Round (Standard Features)

- Galvanized Steel Blade
- 20 ga Galvanized Steel Body
- 24 ga. Galvanized Steel Blade
- 8" Body Length
- Low Leakage Gasket
- Bronze Oilite Bushing

Rectangular (Standard Features)

- .081 Extruded Aluminum Frame
- .100 Extruded Aluminum Blade
- Low Leakage Gasket
- Bronze Oilite Bushing

Job Name:	<input type="checkbox"/> MODEL CH-10 (Rectangular)		
Location:	<input type="checkbox"/> MODEL CH-10-R (Round)		
Architect:	DRAWN BY:	DATE:	REV. DATE:
Engineer:	CLJ	1-24-00	1-25-11
Contractor:	REV. NO.	APPROVED BY:	DWG. NO.:
	19	SDC	G-2