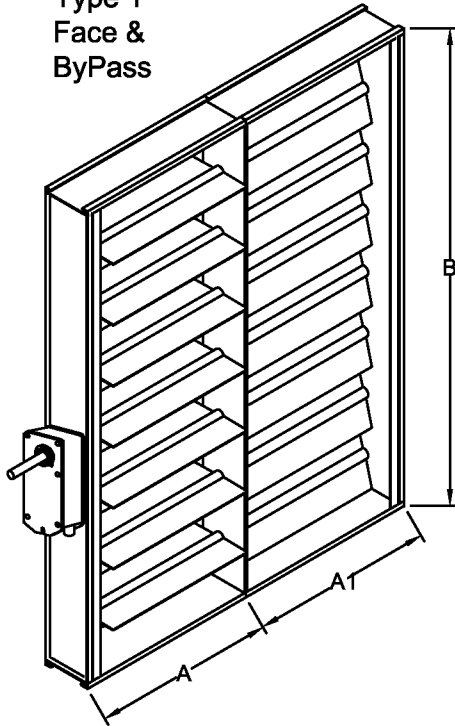
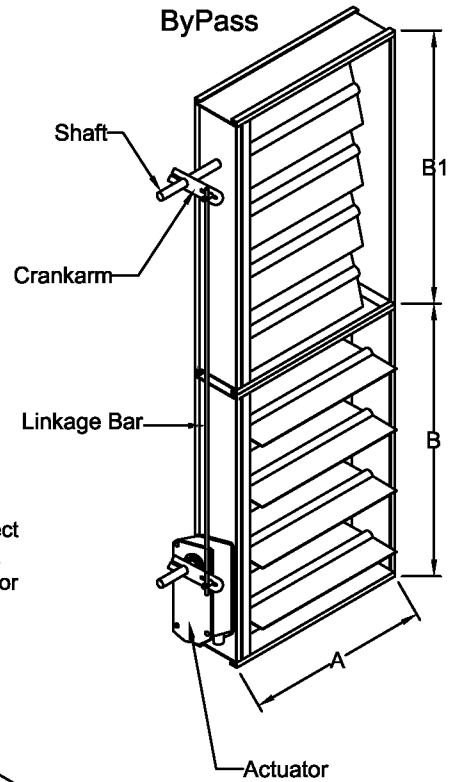
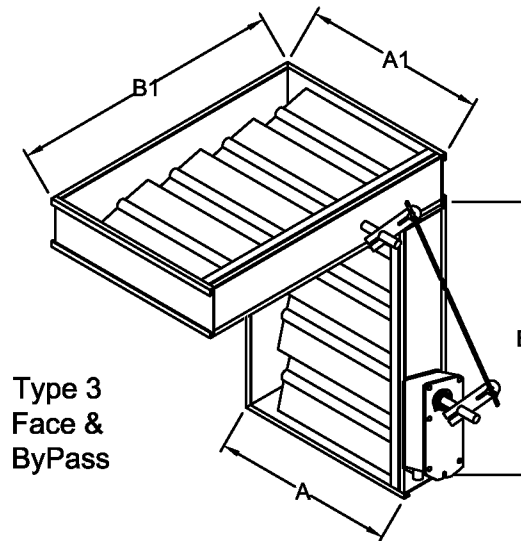


FACE & BYPASS DETAILS

 Type 1
 Face &
 ByPass

 Type 2
 Face &
 ByPass


Mounting the crankarm between the actuator and the damper allows for direct coupled mounting to shaft as well as use of linkage for second damper.


 Type 3
 Face &
 ByPass

Job Name:

Location:

Architect:

Engineer:

Contractor:

 FACE & BYPASS DETAILS

 DRAWN BY:
 S.Bevis

 DATE:
 5-25-07

 REV. DATE:
 7-17-07

 REV. NO.
 1

 APPROVED BY:
 B.T.

 DWG. NO.:
A-10a