

COUNTERBALANCED DAMPER

MODEL CD:

The Counterbalanced Damper has been developed due to a response from contractors requiring an easy to balance damper. There are many applications: Heat Pump Relief, By Pass, etc. The CD can be adjusted by moving the weights up or down or rotating the extension arm.

STANDARD CONSTRUCTION:

Frame: Galvanized Steel, see chart for gauge

Blade: Light Weight Galvanized Steel

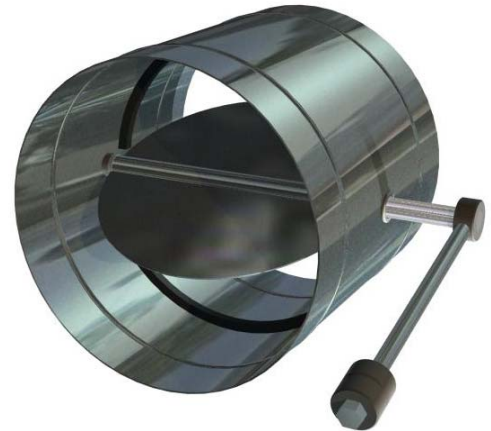
Bearing: Nylon 6/6

Axle: Aluminum Shaft 1/2" Dia.

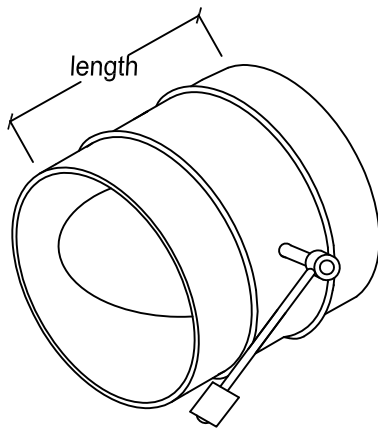
Seal: Volera gaskets in closed position for minimal leakage.

OPTIONS:

- 304 Stainless Steel Construction
- 316 Stainless Steel Construction
- Additional Weights



DIAMETER	LENGTH	FRAME & BLADE THICKNESS
4 - 10"	8"	24 GA GALVANIZED
12" - 18"	8"	20 GA GALVANIZED
20" - 32"	8"	18 GA GALVANIZED



MODEL CD

o.d. undersized approx. 1/8"

PERFORMANCE

DIAMETER	CFM	DIAMETER	CFM
6"	250	18"	3000
7"	300	20"	3700
8"	400	22"	4400
9"	600	24"	5300
10"	750	26"	6200
12"	1200	28"	7200
14"	1800	30"	8300
16"	2400	32"	9400

Sizes Available:

4", 5", 6", 7", 8", 9", 10", 12", 14", 16", 18", 20", 22", 24", 26", 28", 30", 32"

Job Name:	<input type="checkbox"/> MODEL CD		
Location:			
Architect:			
Engineer:	DRAWN BY: CLJ	DATE: 8-26-96	REV. DATE: 1-17-11
Contractor:	REV. NO. 12	APPROVED BY: SDC	DWG. NO.: F-8