

**2-1/4" Aluminum Backdraft Damper (4000 FPM)**

**Application and Design**

The CB-602 is a vertical or horizontal mounted backdraft damper that is designed to allow airflow and prevent reverse airflow.

**Ratings**

- Pressure:** 3.5" w.g.  
**Velocity:** 4000 FPM  
**Temperature:** 180° F

**Standard Construction**

- Frame:** .060" Thick Extruded Aluminum  
**Blades:** .060" Thick Extruded Aluminum  
**Blade Seal:** EPDM Rubber  
**Linkage:** 1/2" x 1/8" Aluminum Bar (in airstream)  
**Axles:** Zinc Plated Steel  
**Bushings:** Nylon

**Size Limitations**

- Minimum size:** 6"w x 6"h  
**\*Maximum single section size:** 48"w x 48"h  
 \*Arrangements C & F max. single section size- 48"w x 24"h

Note: For discharge applications dampers should be placed a distance of at least 1/2 of the fan diameter away from the fan.

**Multiple Sections**

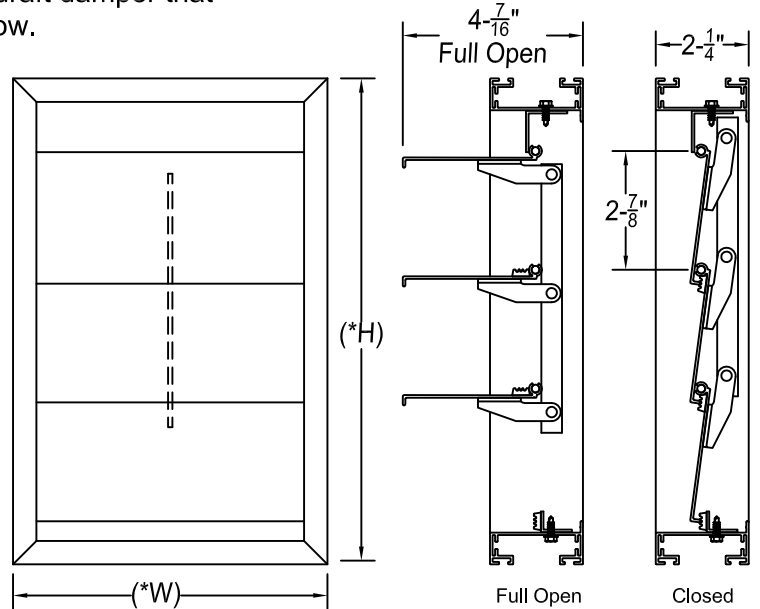
- Exposed mullions  
 Aluminum sub-frame

**Finishes**

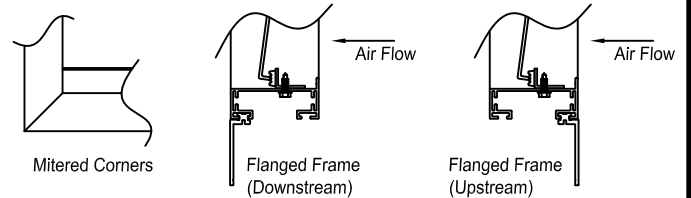
- Polyester Powder Coat (Consult Factory)

**Options and Accessories**

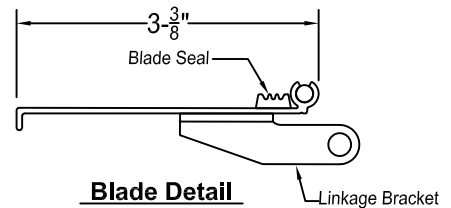
- Flanged Frame  
 Upstream       Downstream  
 1"    1-1/2" (Default)    2"    3"
- Counterbalance  
 Weights  
 Assist to Open (Default)    Assist to Close
- Springs  
 Assist to Open (Default)    Assist to Close
- Set Limit Open Position Bracket  
 Motor Driven



\* W & H dimensions are approximately 1/4" undersized.



**Frame Detail**



**Blade Detail**

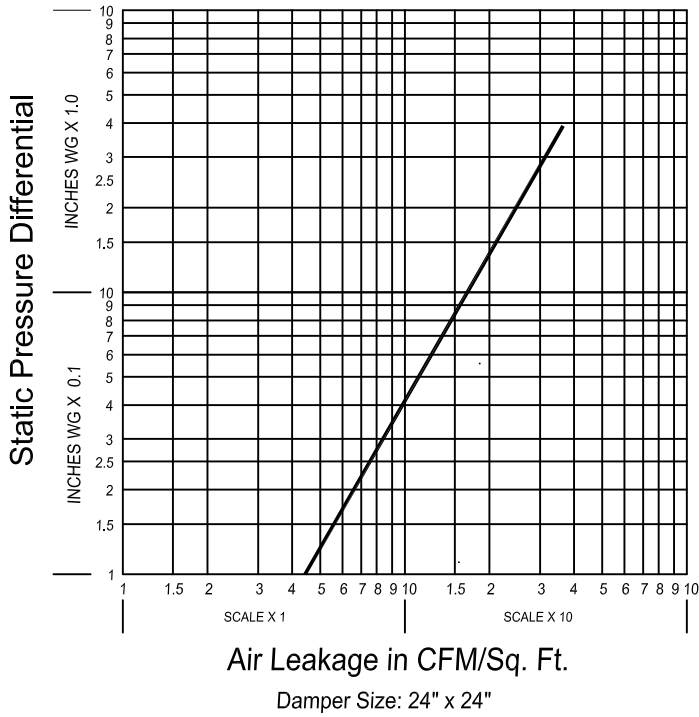
| Quantity | Tag | SIZE      |            | Optional Counter-Weights or Springs | Airflow Arrangement | Other Options |
|----------|-----|-----------|------------|-------------------------------------|---------------------|---------------|
|          |     | "W" Width | "H" Height |                                     |                     |               |
|          |     |           |            |                                     |                     |               |

Due to continuing research, United Enertech reserves the right to change specifications without notice.

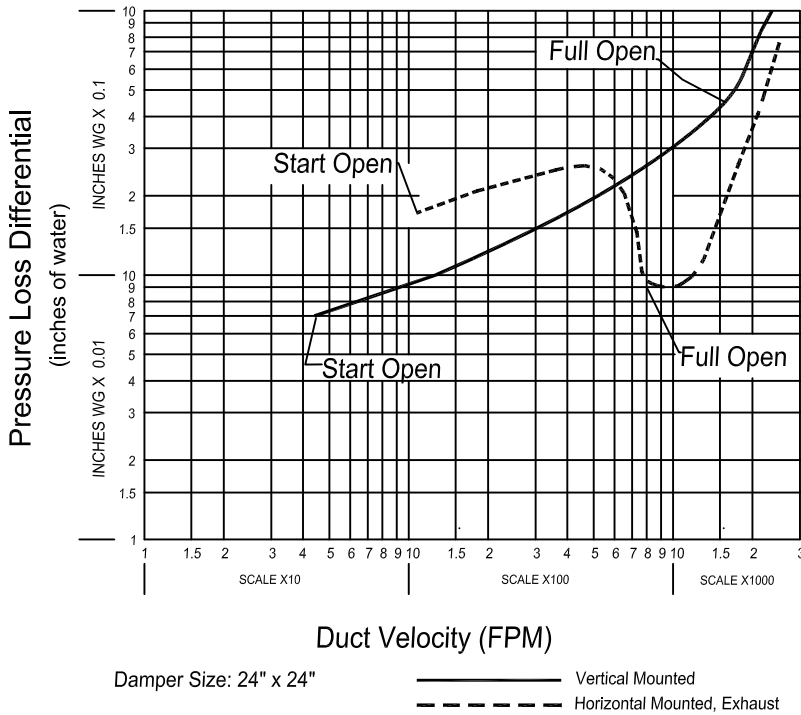
|             |   |              |            |
|-------------|---|--------------|------------|
| Job Name:   | <input type="checkbox"/> <b>MODEL CB-602 (4000 FPM)</b> |              |            |
| Location:   | DRAWN BY:   | DATE:        | REV. DATE: |
| Architect:  | SRB   | 4-28-10      | 9-7-12     |
| Engineer:   | REV. NO.  | APPROVED BY: | DWG. NO.:  |
| Contractor: | 4   |              | <b>F-5</b> |

# CB-602 PERFORMANCE DATA

## Leakage



## Pressure Drop



Air Velocity in feet per minute through Face Area  
 Tested per AMCA Std. 500-D, ductwork upstream and downstream.

⊛ Set at least resistant to open

## CB-602 AIR FLOW ARRANGEMENTS

Counterweights or springs used in airstream  
 (assist to open)

