

**Aluminum Backdraft Damper
 (4000 FPM)**

Application and Design

The CB-601 is a vertical or horizontal mounted backdraft damper that is designed to allow airflow and prevent reverse airflow.

Ratings

- Pressure:** 4" w.g.
Velocity: 4000 FPM
Temperature: 200° F

Standard Construction

- Frame:** .060" Thick Extruded Aluminum
Blades: .045" Thick Extruded Aluminum
Blade Seal: Vinyl
Linkage: 0.625" x 0.125" Aluminum Bar (in airstream)

Size Limitations

- Minimum size:** 6"w x 6"h
***Maximum single section size:** 48"w x 48"h

Multiple Sections

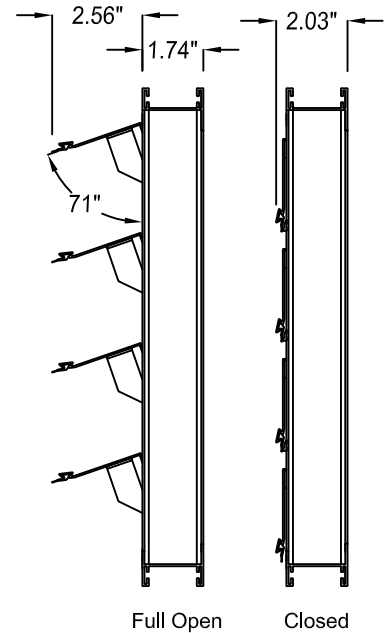
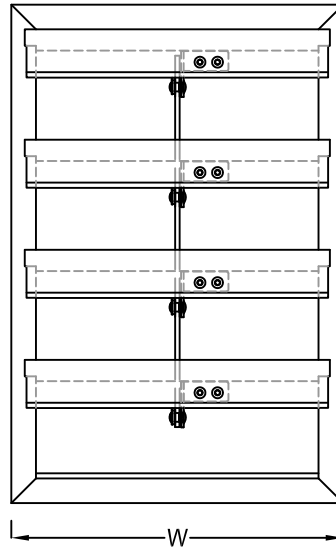
- Exposed mullions
 Aluminum sub-frame

Finishes

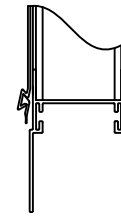
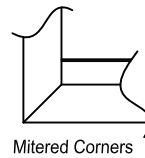
- Polyester Powder Coat (Consult Factory)

Options and Accessories

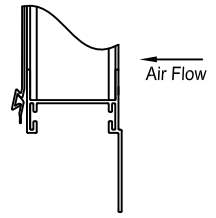
- 1-1/2" Flanged Frame
 Upstream Downstream
- Counterbalance
 Weights
 Assist to Open (Default) Assist to Close
- Springs
 Assist to Open (Default) Assist to Close
- Set Limit Open Position Bracket
 Motor Driven



* W & H dimensions are approximately 1/4" undersized.

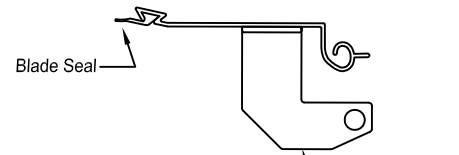


Flanged Frame (Downstream)



Flanged Frame (Upstream)

Frame Detail



Blade Detail

Quantity	Tag	SIZE		Optional Counter-Weights or Springs	Airflow Arrangement	Other Options
		"W" Width	"H" Height			

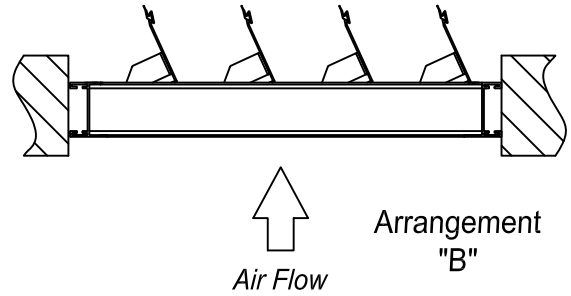
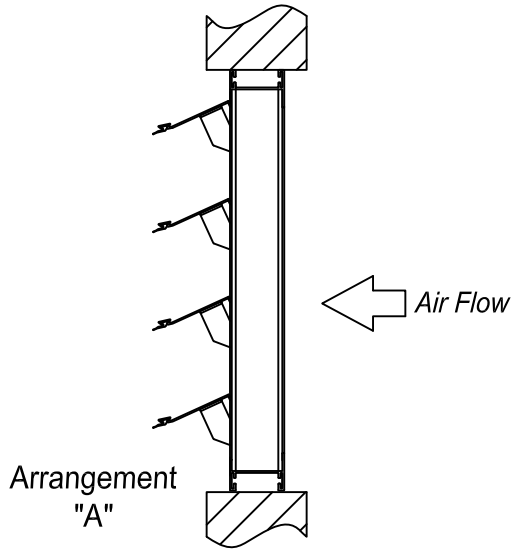
Due to continuing research, United Energetech reserves the right to change specifications without notice.

Job Name:	<input type="checkbox"/> MODEL CB-601 (4000 FPM)		
Location:	DRAWN BY: CLJ	DATE: 12-29-14	REV. DATE: 10-29-15
Architect:	REV. NO. 2	APPROVED BY: MD	DWG. NO.: F-3
Engineer:			
Contractor:			

CB-601 Airflow Arrangements

Counterweights or springs used in airstream
(assist to open)

NO FLANGE



WITH FLANGE

