

**HEAVY DUTY  
 BACKDRAFT DAMPER**

**Application and Design**

The **HCB-750** Series is a vertically or horizontally mounted backdraft damper that is designed to allow vertical or horizontal airflow and prevent reverse airflow.

**Ratings:**

- Pressure:** 4 in. w.g. [996Pa] - differential pressure
- Velocity:** 4000 fpm [20m/s]
- Temperature:** 180° F [82° C]

**Standard Construction:**

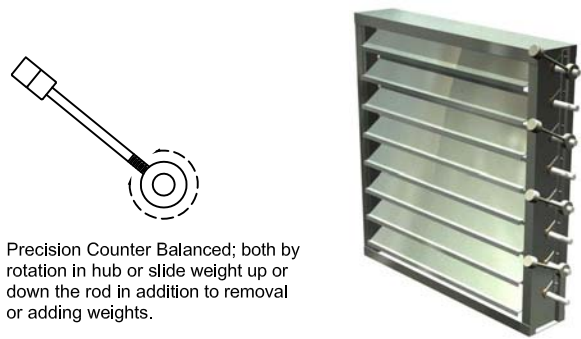
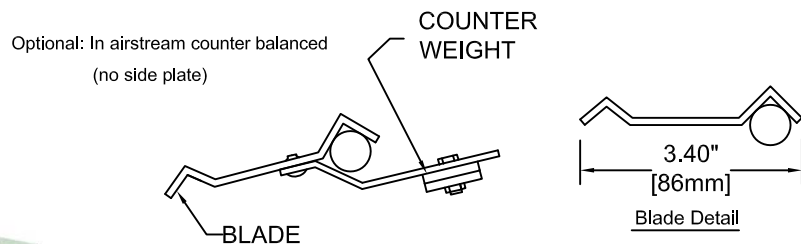
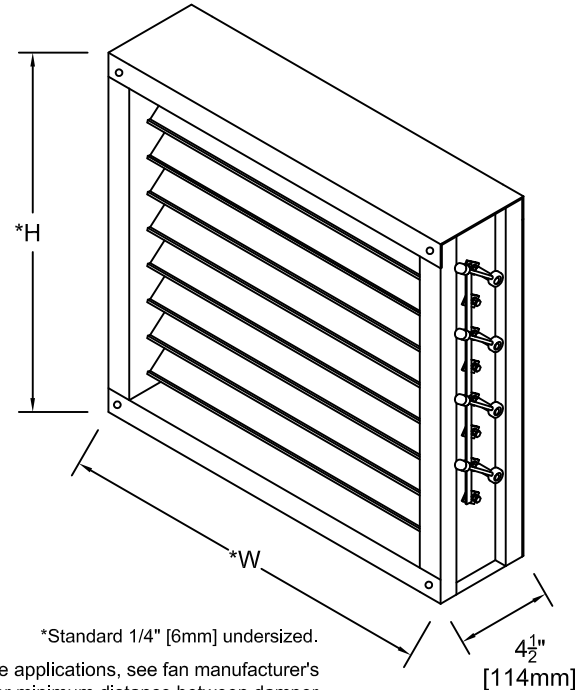
- Frame:** 16ga. Galvanized Steel
- Blade:** 16ga. Galvanized Steel V-Blade
- Linkage:** Zinc plated concealed
- Axles:** 1/2" [13mm] diameter cast zinc & steel
- Bearings:** Bronze Oilite
- Blade Seals:** PVC (180° F) [82° C]

**Size Limitations:**

- Minimum Size:** 6" w x 6" h [152mm x 152mm]
- Maximum Single Section:** 48" w x 48" h [1219mm x 1219mm]
- Maximum Double Section:** 96" w x 96" h [2438mm x 2438mm]

**Options and Accessories:**

- Heavier gauge Steel construction
- Custom flange
- Side Plate (20ga. galvanized steel)
- All #304 Stainless Steel construction
- All #316 Stainless Steel construction
- In airstream counterbalanced weights
- Epoxy coated (powder coated @ 415°F [213° C])
- 450°F [232° C] silicone blade seals



Quantity	Size		Other Options
	'W' Width	'H' Height	

Due to continuing research, United Energetech reserves the right to change specifications without notice.

Job Name:	<input type="checkbox"/> <b>MODEL HCB-750 (4000 FPM)</b>		
Location:			
Architect:	DRAWN BY:	DATE:	REV. DATE:
Engineer:	CLJ	5-1-07	5-11-14
Contractor:	REV. NO.	APPROVED BY:	DWG. NO.:
	11	BGT	<b>F-12</b>

# HCB-750 PERFORMANCE DATA

## DAMPER PERFORMANCE

DAMPER WIDTH	MAXIMUM BACK PRESSURE	MAXIMUM SYSTEM VELOCITY	LEAKAGE*		BLADES START TO OPEN	BLADES FULLY OPEN
			Percent of Max. Flow	CFM/ Sq. Ft.		
48" (1219)	4.0" w.g. [996 Pa]	4000 FPM [20 m/s]	0.63	16	**0.02" w.g.	**0.08" w.g.
36" (914)	8.0" w.g. [1992 Pa]	4000 FPM [20 m/s]	0.72	18		
24" (610)	12.0" w.g. [2988 Pa]	4000 FPM [20 m/s]	0.83	20		
12" (305)	16.0" w.g. [3984 Pa]	4000 FPM [20 m/s]	0.95	23		

\*Leakage information based on pressure differential of 1" w.g. tested per AMCA Std. 500-D.

\*\*set at least resistant to open

### HCB-750 AIR FLOW ARRANGEMENTS

Standard counter weights at jamb  
(assist to OPEN) (Standard)

