

**Aluminum Backdraft Damper  
 (2800 FPM)**

**Application and Design**

The CB-600 is a vertical or horizontal mounted backdraft damper that is designed to allow airflow and prevent reverse airflow.

**Ratings**

- Pressure:** 3" w.g.
- Velocity:** 2800 FPM
- Temperature:** 200° F

**Standard Construction**

- Frame:** .060" Thick Extruded Aluminum
- Blades:** .045" Thick Extruded Aluminum
- Blade Seal:** Vinyl
- Linkage:** 0.625" x 0.125" Aluminum Bar (in airstream)

**Size Limitations**

- Minimum size:** 6"w x 6"h
- \*Maximum single section size:** 48"w x 48"h

**Multiple Sections**

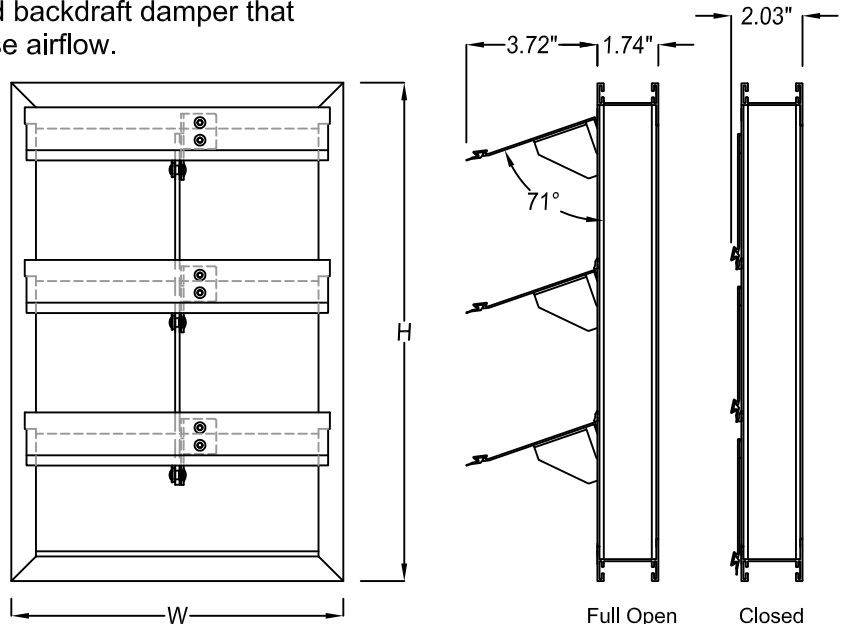
- Exposed mullions
- Aluminum sub-frame

**Finishes**

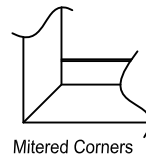
- Polyester Powder Coat (Consult Factory)

**Options and Accessories**

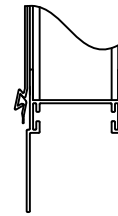
- 1-1/2" Flanged Frame
  - Upstream       Downstream
- Counterbalance
  - Weights
    - Assist to Open (Default)     Assist to Close
  - Springs
    - Assist to Open (Default)     Assist to Close
- Set Limit Open Position Bracket
- Motor Driven



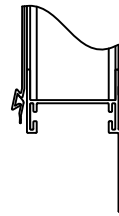
\* W & H dimensions are approximately 1/4" undersized.



Mitered Corners

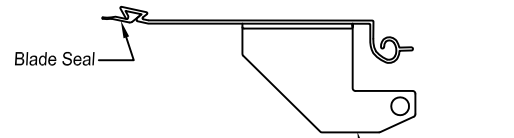


Flanged Frame (Downstream)



Flanged Frame (Upstream)

**Frame Detail**



**Blade Detail**

Quantity	Tag	SIZE		Optional Counter-Weights or Springs	Airflow Arrangement	Other Options
		"W" Width	"H" Height			

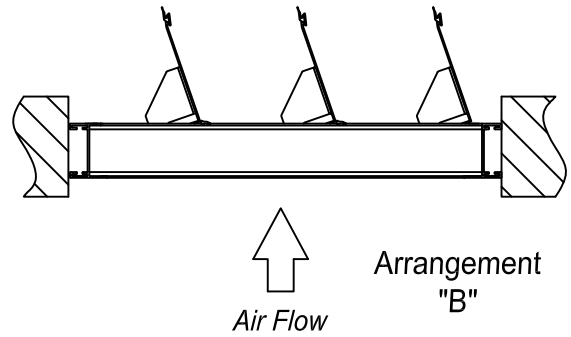
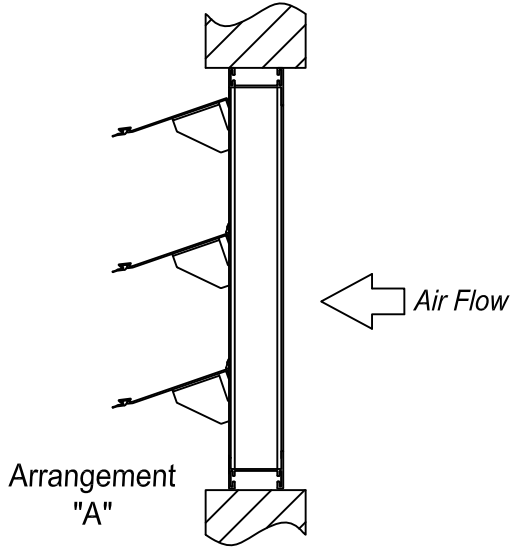
Due to continuing research, United Enertech reserves the right to change specifications without notice.

Job Name:	<input type="checkbox"/> <b>MODEL CB-600 (2800 FPM)</b>		
Location:	DRAWN BY:	DATE:	REV. DATE:
Architect:	CLJ	4-29-10	10-29-15
Engineer:	REV. NO.	APPROVED BY:	DWG. NO.:
Contractor:	6	MD	<b>F-1</b>

# CB-600 Airflow Arrangements

Counterweights or springs used in airstream  
(assist to open)

NO FLANGE



WITH FLANGE

