

FL-D-6.1 FBC Installation Instructions (+/- 50 psf)

GENERAL NOTES & RECOMMENDATIONS:

- 1) FL-D-6.1 Louver System has been verified for compliance in accordance with 2007 Edition of the Florida Building Code.
- 2) FL-D-6.1 Louver System is FBC approved to +/- 50 psf wind loads, non-HVHZ conditions.
- 3) All aluminum extrusions shall be minimum 6063-T5 alloy.
- 4) It shall be the responsibility of the permit holder to verify the structural integrity of the existing structure to support the loads superimposed by the louvers.
- 5) All concrete substrates should be min. 3000 PSI
- 6) All wood substrates should be min. G = 0.55 density
- 7) All metal stud substrates should be min. 16 ga. Fy = 33 ksi
- 8) All structural steel substrates should be min. 12 ga. Fy = 36 ksi
- 9) Panel widths & heights are limited to single section sizes
- 10) The louver is to be installed in a location where the room behind the louver is designed to drain water penetrating into the room, and the room will house water resistant / water proof equipment, components or supplies.
- 11) Separation of dissimilar materials is to be provided by the installer.
- 12) Anchors shall be installed following all of the recommendations and specifications of the anchor's manufacturer and the table 1 below.

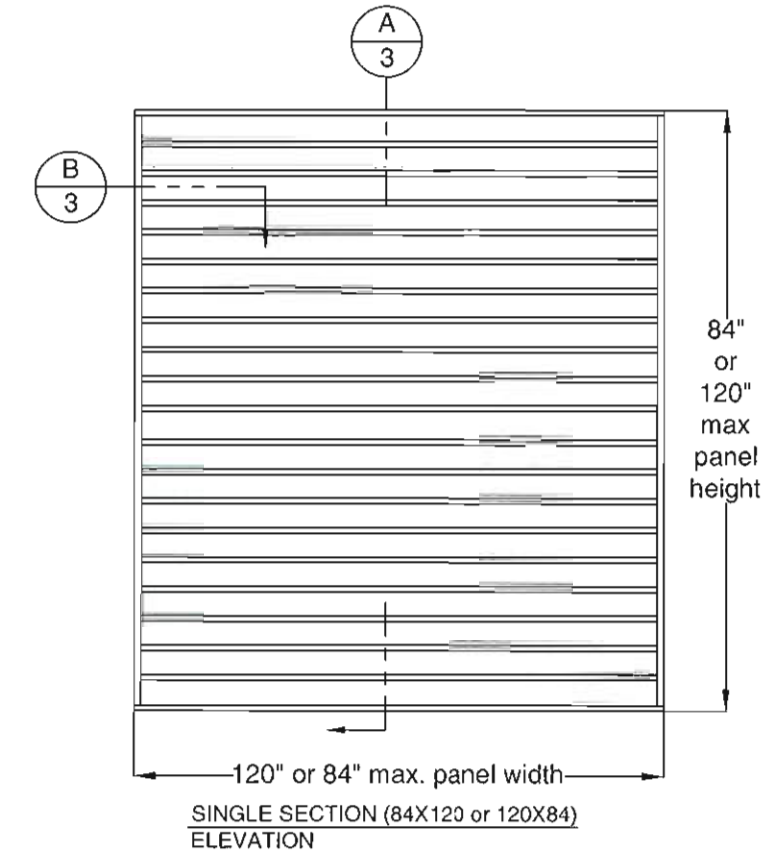


TABLE 1: Fastener Detail

Substrate	Fastener Size/Type	Embedment	Edge Distance	Example	ES Test Report
3000 psi Concrete	1/4" Concrete Anchor	1.75" min.	2.0" min	Hilti Quik Con II	ER-5259
Standard Weight CMU Masonry	1/4" Concrete Anchor	1.75" min.	2.0" min.	Hilti Quik Con II	ER-5259
ASTMA36 Structural Steel	1/4" Self Drilling Fastener	min. 1/8" THK STL	1.0" min.	Hilti Drill-Flex	ER-4780
33 ksi or 50 ksi Cold Formed Steel	*1/4" Self Drilling Fastener	18 ga min.	1.0" min.	Hilti Drill-Flex	ER-4781
6063-T5 Aluminum	1/4" Self Drilling Fastener	min 1/4" THK AL	1.0" min.	Hilti Drill-Flex	ER-4782
(2) 2x#2 SYP Wood G	*1/4" Wood Screws	3.0" min.	1.0" min.	Simpson SDS	ER-2236 & ESR-2236

* 2 Screws per Clip

No substitutes allowed for concrete anchors.

Model FL-D-6.1

Standard Construction:

Frame: .125" Extruded Aluminum, 6.20" Deep

Blade: .081 Extruded Aluminum positioned on a 37° angle on approximately 4.64" centers

Birdscreen: 3/4" x .051" Flattened Aluminum in removable frame. Screen is mounted as standard on inside (rear) as looking from exterior of building.

Finish: Mill Aluminum (Std.)

Minimum Size: Consult Factory

Maximum Single Section: 120"w x 84"h or 84"w x 120"h



MA & A March Adams & Associates
 310 Dodds Ave.
 P.O. Box 3689
 Chattanooga, Tennessee 37404
 PH: (423) 698-6675
 MAA #: 09-343

Date: 10-06-09

Drawn By: SDC

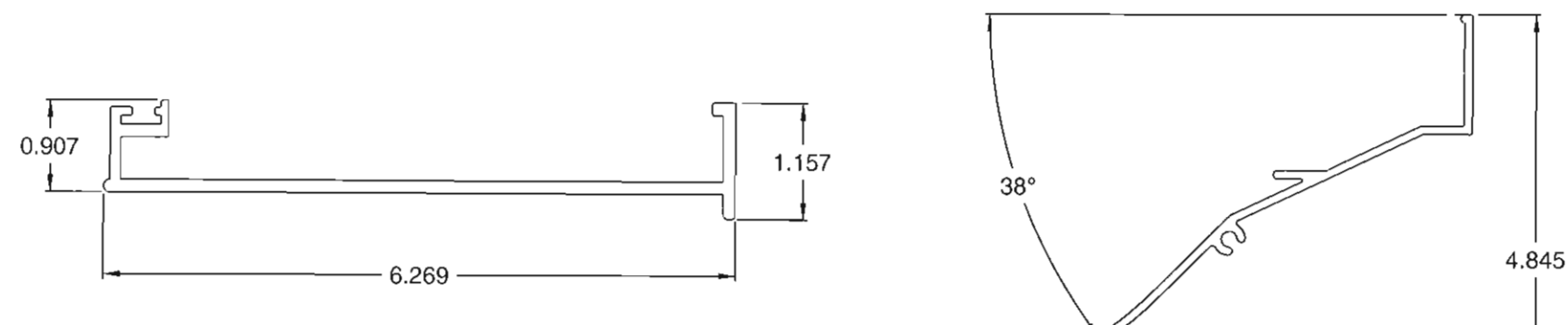
FBC Installation Instruction

United Energetech
 3005 South Hickory St.
 Chattanooga, TN 37407

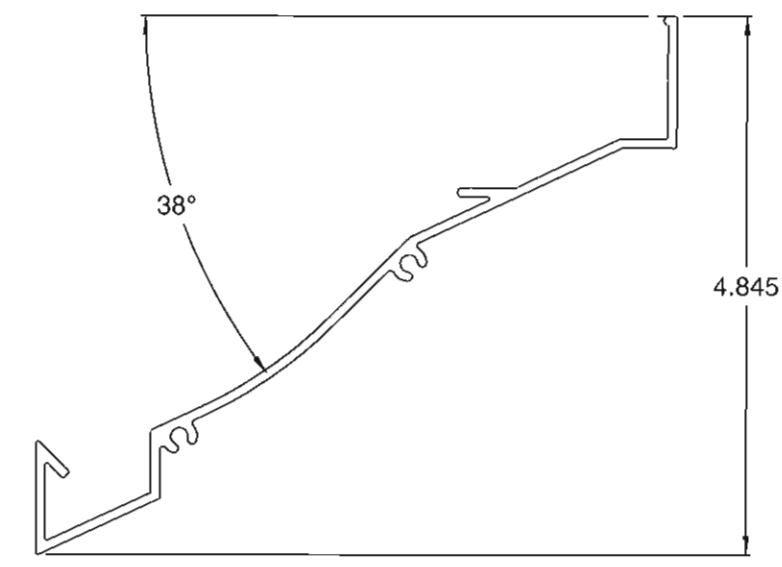
35

Model FL-D-6.1 sheet 1 of 4

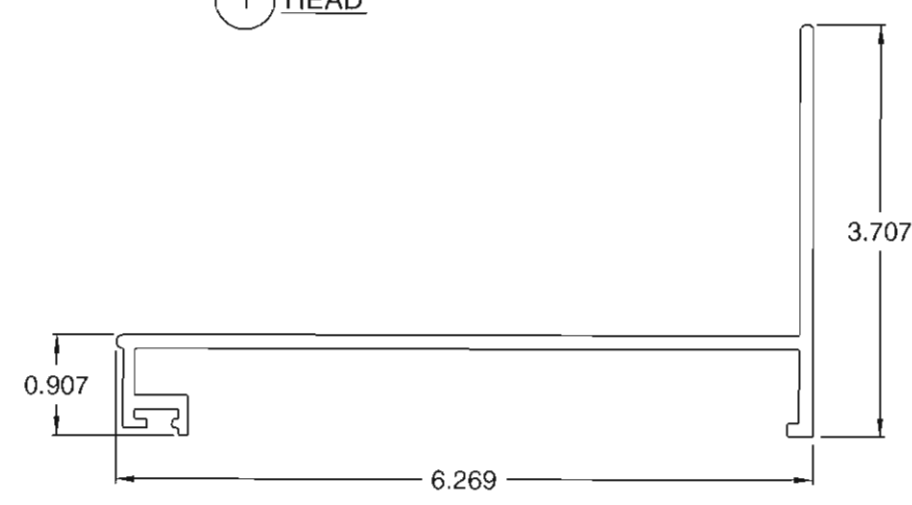
BILL OF MATERIALS		
ITEM #	DESCRIPTION	NOTES
1	HEAD	6063-T5 ALUM.
2	SILL	6063-T5 ALUM.
3	SIDE JAMB	6063-T5 ALUM.
4	BIRD SCREEN FRAME	6063-T5 ALUM.
5	BLADE	6063-T5 ALUM.
6	BLADE BRACE	6063-T5 ALUM.
7	STANDARD BIRD SCREEN	3/4" X .051" FLATTENED ALUM.
8	MULLION STRIP (VERTICAL MULLIONS)	6063-T5 ALUM.
9	FLANGE (OPTIONAL)	6063-T5 ALUM.
10	EXTENDED SILL (OPTIONAL)	6063-T5 ALUM.
11	MOUNTING ANGLE CLIP #1	6063-T5 ALUM.
11a	MOUNTING ANGLE CLIP #2 (OPTIONAL)	6063-T5 ALUM.
12	#8 X 3/4" HEX HEAD, ZINC PLATED S.M.S.	LOUVER ASSEMBLY
13	#10 X 3/4" HEX HEAD, ZINC PLATED TEK SCREW	BLADE BRACE & MULLION STRIP ATTACHMENT
14	#14 X 1" HEX HEAD, ZINC PLATED TEK SCREW (By Others)	ANGLE CLIP ATTACHMENT TO LOUVER (OPTIONAL)
15	GLAZING FRAME (OPTIONAL)	6063-T5 ALUM.



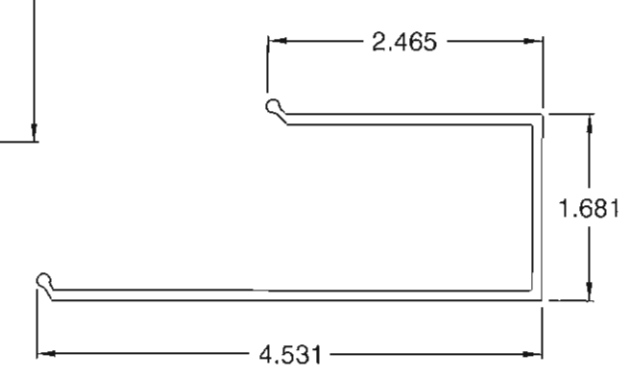
1 HEAD



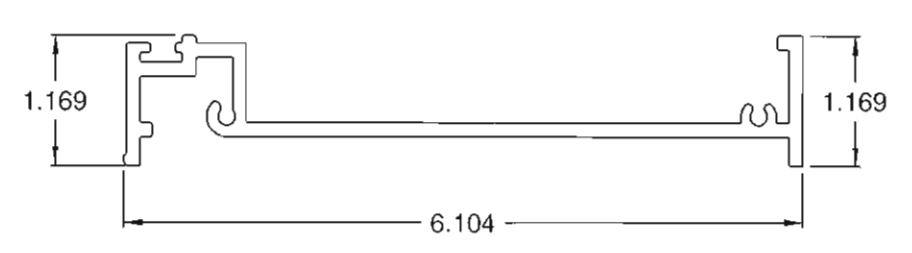
5 BLADE



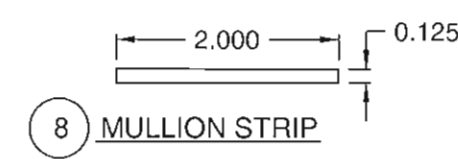
2 SILL



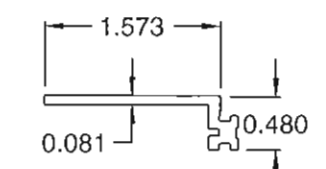
6 BLADE BRACE



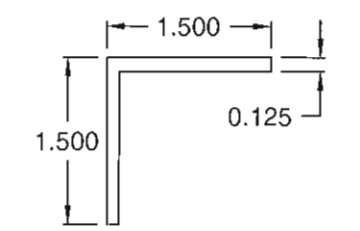
3 SIDE JAMB



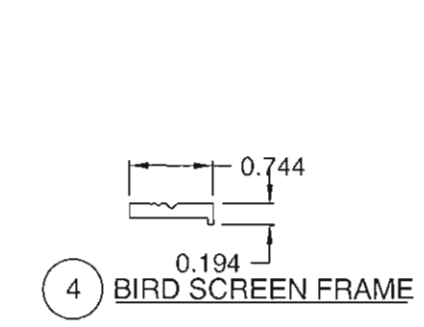
8 MULLION STRIP



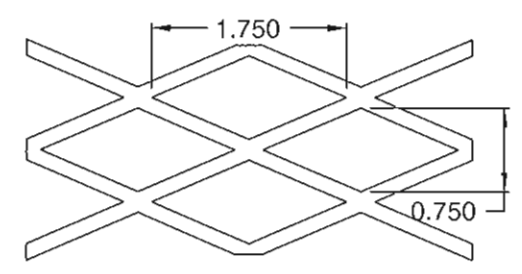
9 FLANGE (OPTIONAL)



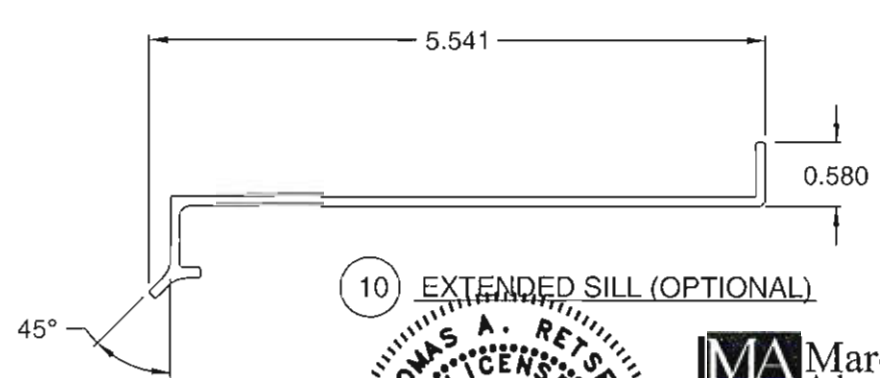
11 MOUNTING ANGLE (OPTIONAL)



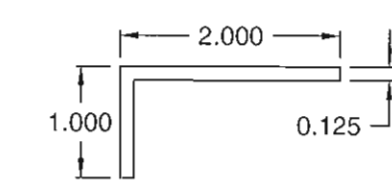
4 BIRD SCREEN FRAME



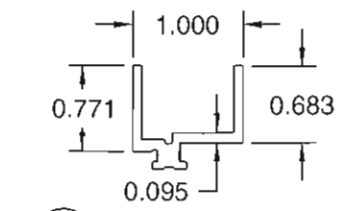
7 STD. BIRD SCREEN



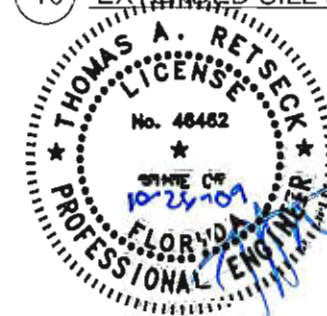
10 EXTENDED SILL (OPTIONAL)



11a MOUNTING ANGLE (OPTIONAL)



15 GLAZING FRAME (OPTIONAL)



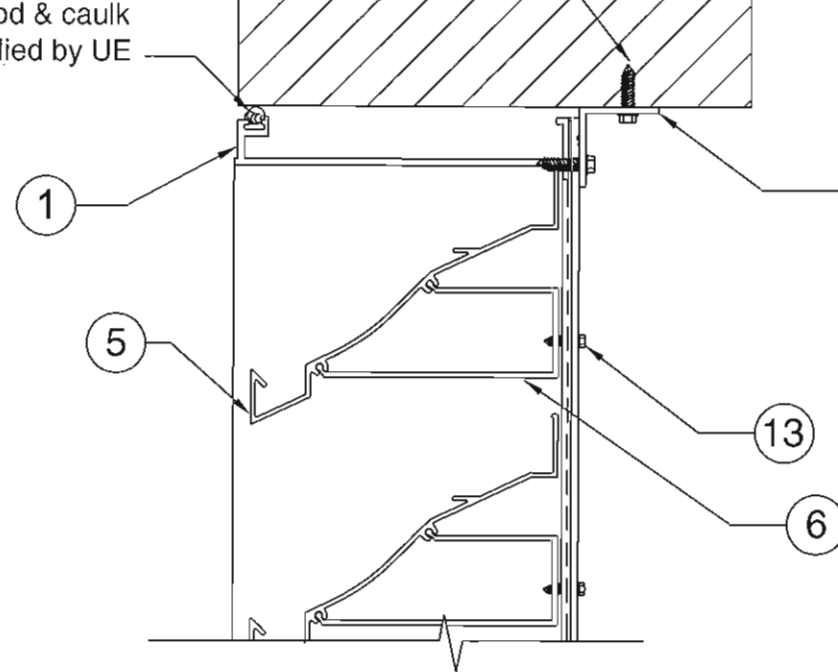
MA & A March Adams & Associates Consulting Engineers
 310 Dodds Ave.
 P.O. Box 3689
 Chattanooga, Tennessee 37404
 PH: (423)698-6675
 MAA #: 09-343

Date: 09-22-09
 Drawn By: C. Jackson

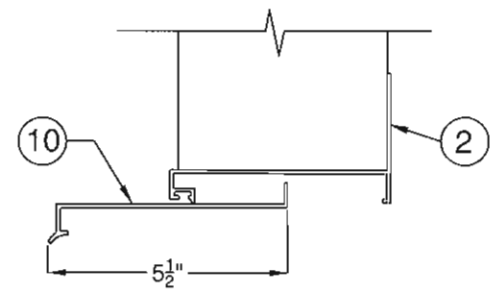
United Energetech
 3005 South Hickory St.
 Chattanooga, TN 37407

Backer rod & caulk not supplied by UE

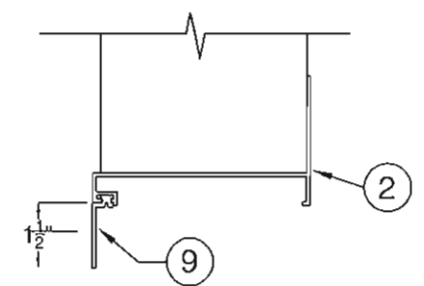
Use appropriate fastener for substrate and load capacity (by others)



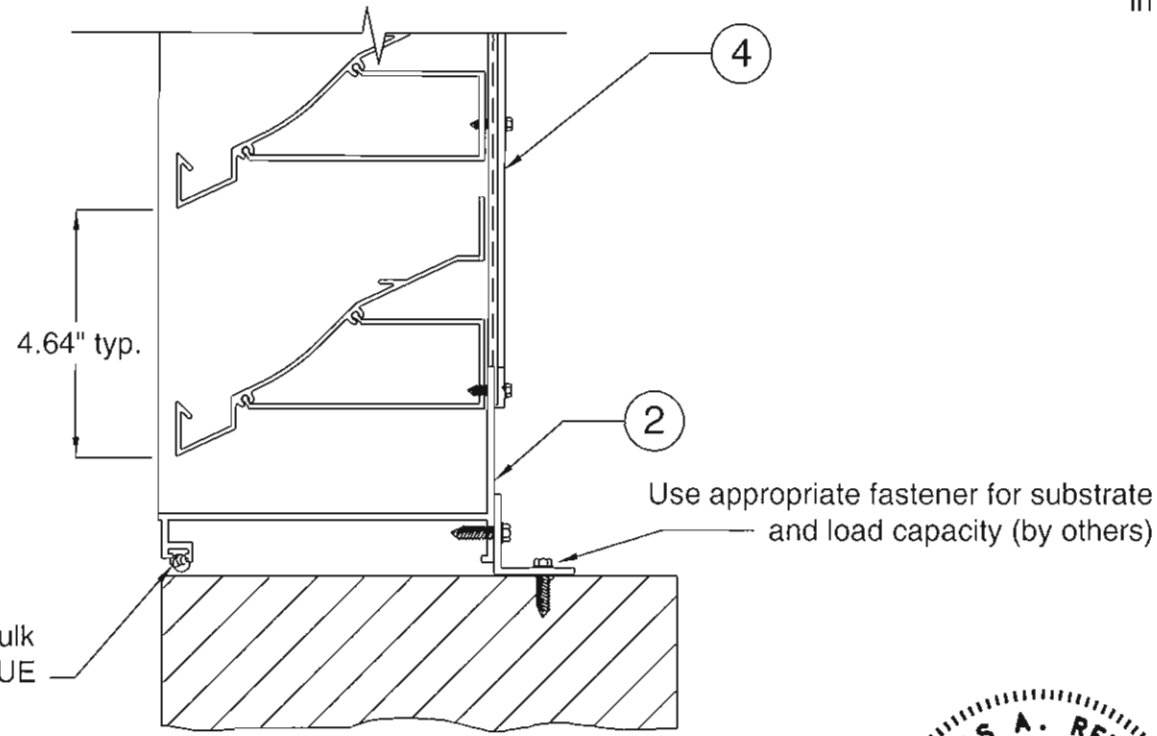
11 Recommended Installation:
 $1\frac{1}{2}$ " X $1\frac{1}{2}$ " x .125" (3" long) alum. angle clips, 3" from edge, 18" o.c. Attached to louver perimeter with (2) #14 tek screws, 1 fasteners per clip to substrate unless otherwise noted in Table 1. (angles can be supplied by United Enertech or Others)



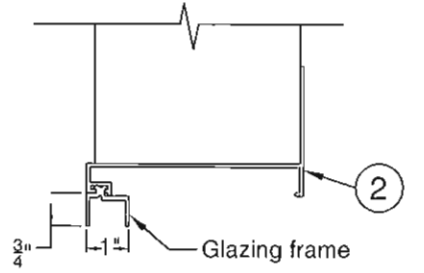
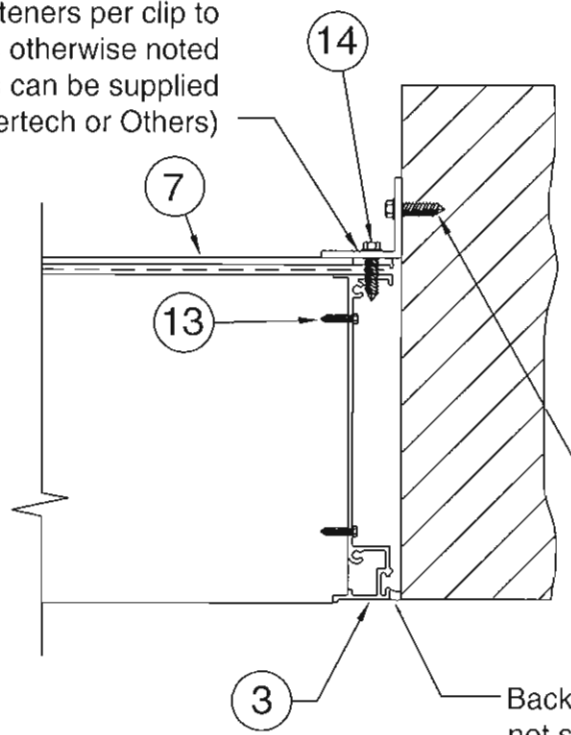
Extended Sill (optional)



Flange (optional)



Recommended Installation:
 $1\frac{1}{2}$ " X $1\frac{1}{2}$ " x .125" (3" long) alum. angle clips, 3" from edge, 15" o.c. Attached to louver perimeter with (2) #14 tek screws, 1 fasteners per clip to substrate unless otherwise noted in Table 1. (angles can be supplied by United Enertech or Others)



Glazing frame (optional)

Use appropriate fastener for substrate and load capacity (by others)

Backer rod & caulk not supplied by UE

Detail "B"
 Jamb Attachment

Detail "A"
 Head & Sill Attachment



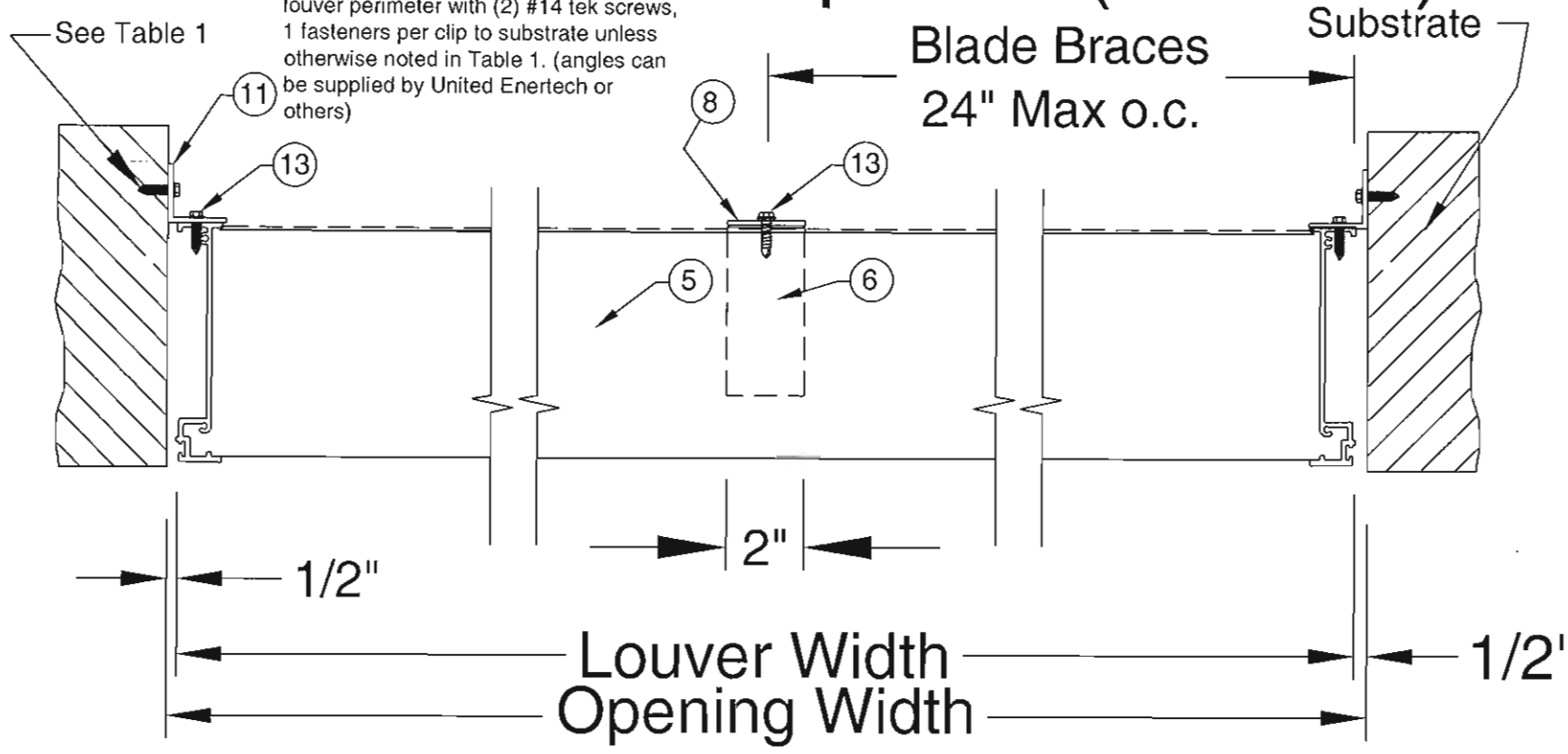
MA & A March Adams & Associates
 Consulting Engineers
 310 Dodds Ave.
 P.O. Box 3689
 Chattanooga, Tennessee 37404
 PH: (423)698-6675
 MAA #: 09 - 243

Date: 10-06-09
 Drawn By: SDC
 FBC Installation Instruction

United Enertech
 3005 South Hickory St.
 Chattanooga, TN 37407

Recommended Installation:
 $\frac{1}{2}$ " X $1\frac{1}{2}$ " x .125" (3" long) alum. angle clips, 3" from edge, 15" o.c. Attached to louver perimeter with (2) #14 tek screws, 1 fasteners per clip to substrate unless otherwise noted in Table 1. (angles can be supplied by United Enertech or others)

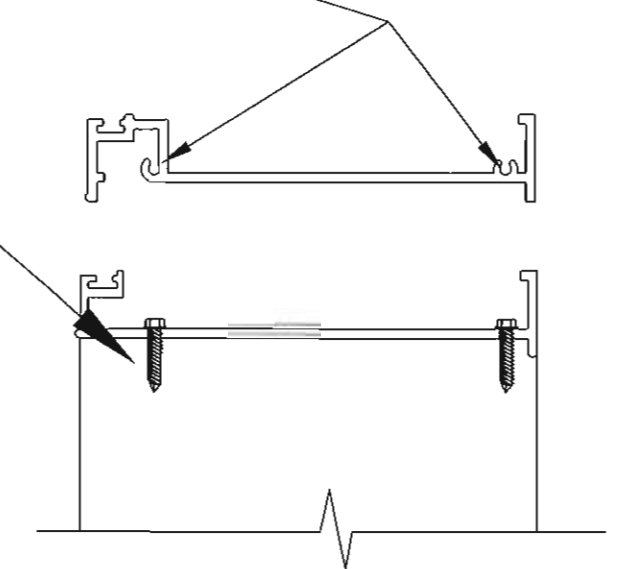
Top View (< 48.0" h)



Side View of Head and Jamb Attachments

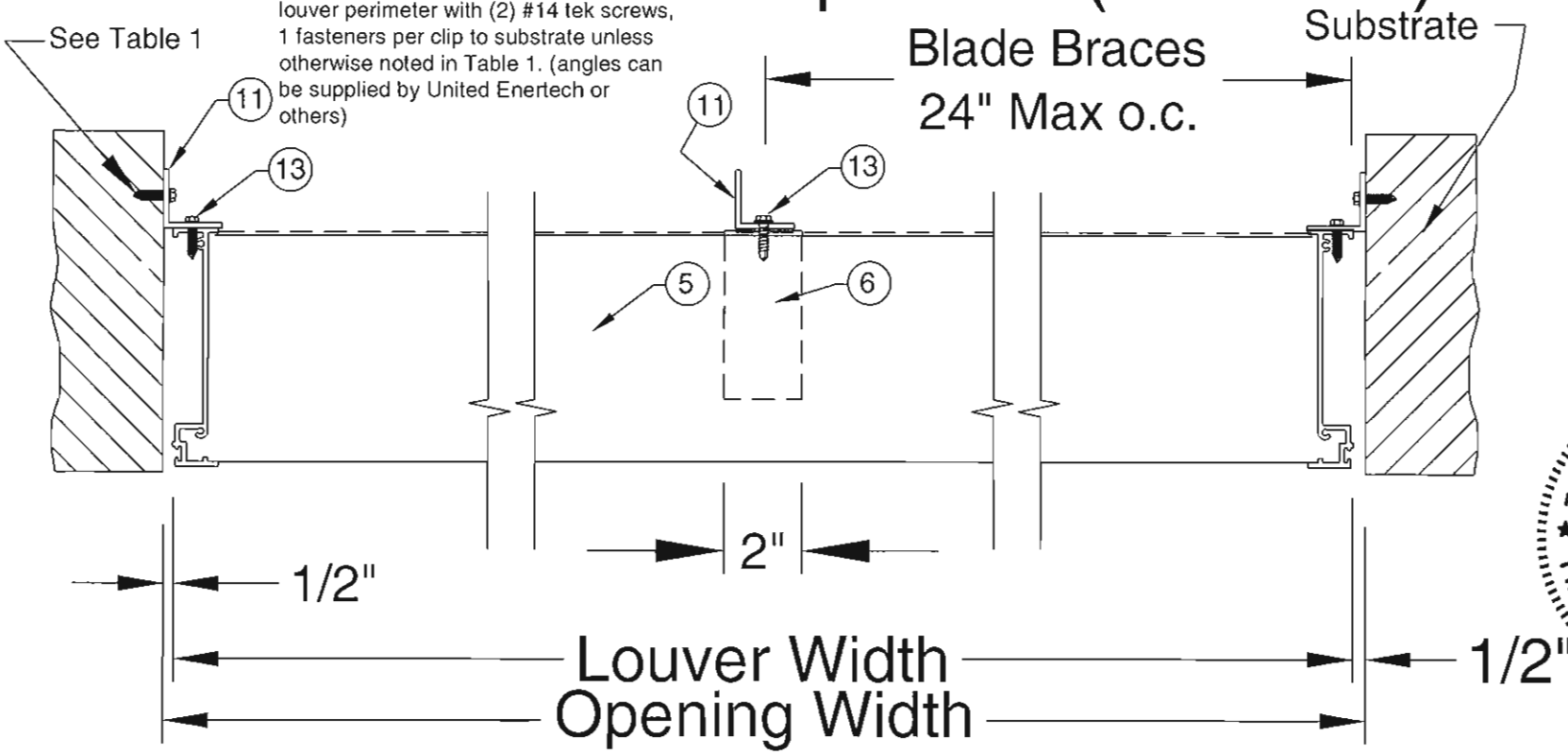
Sill Screw Locations

Jamb attached to head with #8x $\frac{3}{4}$ " sms (2 per side)

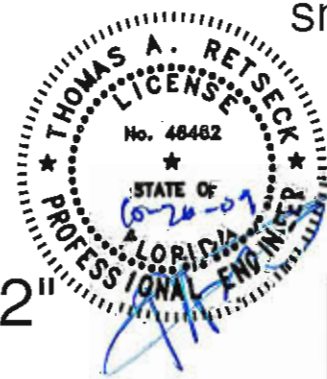
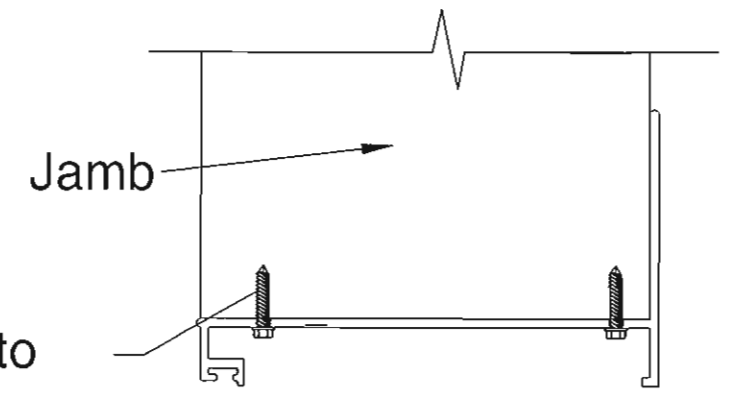


Recommended Installation:
 $\frac{1}{2}$ " X $1\frac{1}{2}$ " x .125" (3" long) alum. angle clips, 3" from edge, 15" o.c. Attached to louver perimeter with (2) #14 tek screws, 1 fasteners per clip to substrate unless otherwise noted in Table 1. (angles can be supplied by United Enertech or others)

Top View (< 48.1" h)



Jamb attached to sill with #8x $\frac{3}{4}$ " sms (2 per side)



MA & A March Adams & Associates
 310 Dodds Ave.
 P.O. Box 3689
 Chattanooga, Tennessee 37404
 PH: (423)698-6675
 MAA #: 09-343

Date: 10-06-09
 Drawn By: SDC
 FBC Installation Instruction

United Enertech
 3005 South Hickory St.
 Chattanooga, TN 37407 38