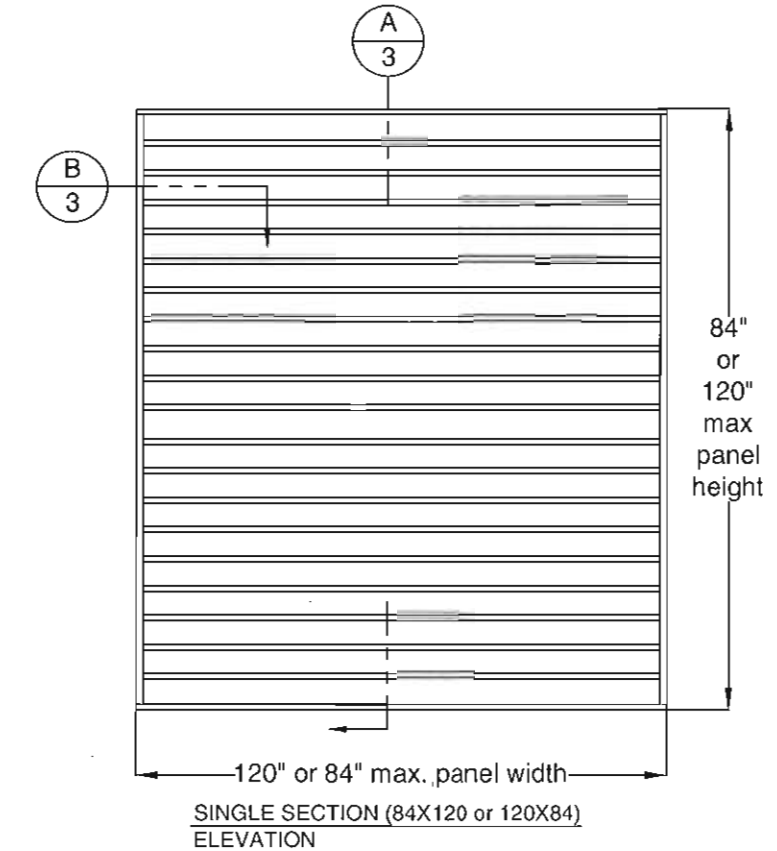


FL-D-4 FBC Installation Instructions (+/- 50 psf)

GENERAL NOTES & RECOMMENDATIONS:

- 1) FL-D-4 Louver System has been verified for compliance in accordance with 2007 Edition of the Florida Building Code.
- 2) FL-D-4 Louver System is FBC approved to +/- 50 psf wind loads, non-HVHZ conditions.
- 3) All aluminum extrusions shall be minimum 6063-T5 alloy.
- 4) It shall be the responsibility of the permit holder to verify the structural integrity of the existing structure to support the loads superimposed by the louvers.
- 5) All concrete substrates should be min. 3000 PSI
- 6) All wood substrates should be min. G = 0.55 density
- 7) All metal stud substrates should be min. 16 ga. Fy = 33 ksi
- 8) All structural steel substrates should be min. 12 ga. Fy = 36 ksi
- 9) Panel widths & heights are limited to single section sizes
- 10) The louver is to be installed in a location where the room behind the louver is designed to drain water penetrating into the room, and the room will house water resistant / water proof equipment, components or supplies.
- 11) Separation of dissimilar materials is to be provided by the installer.
- 12) Anchors shall be installed following all of the recommendations and specifications of the anchor's manufacturer and the table 1 below.



Model FL-D-4

Standard Construction:

Frame: .081 Extruded Aluminum, 4-1/8" Deep

Blade: .081 Extruded Aluminum positioned on approximately 2.875" centers

Birdscreen: 3/4" x .051" Flattened Aluminum in removable frame. Screen is mounted as standard on inside (rear) as looking from exterior of building.

Finish: Mill Aluminum (Std.)

Minimum Size: Consult Factory

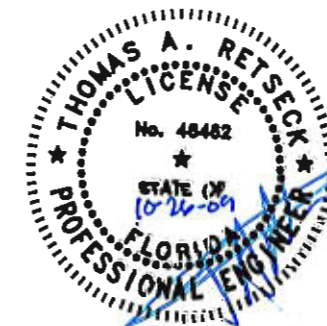
Maximum Single Section: 120"w x 84"h or 84"w x 120"h

TABLE 1: Fastener Detail

Substrate	Fastener Size/Type	Embedment	Edge Distance	Example	ES Test Report
3000 psi Concrete	1/4" Concrete Anchor	1.75" min.	2.0" min	Hilti Quik Con II	ER-5259
Standard Weight CMU Masonry	1/4" Concrete Anchor	1.75" min.	2.0" min.	Hilti Quik Con II	ER-5259
ASTM A36 Structural Steel	1/4" Self Drilling Fastener	min. 1/8" THK STL	1.0" min.	Hilti Drill-Flex	ER-4780
33 ksi or 50 ksi Cold Formed Steel	*1/4" Self Drilling Fastener	18 ga min.	1.0" min.	Hilti Drill-Flex	ER-4781
6063-T5 Aluminum	1/4" Self Drilling Fastener	min 1/4" THK AL	1.0" min.	Hilti Drill-Flex	ER-4782
(2) 2x#2 SYP Wood G	*1/4" Wood Screws	3.0" min.	1.0" min.	Simpson SDS	ER-2236 & ESR-2236

* 2 Screws per Clip

No substitutes allowed for concrete anchors.



MA & A March Adams & Associates
 Consulting Engineers
 310 Dodds Ave.
 P.O. Box 3689
 Chattanooga, Tennessee 37404
 PH: (423)698-6675
 MAA #: 09-343

Date: 10-06-09

Drawn By: SDC

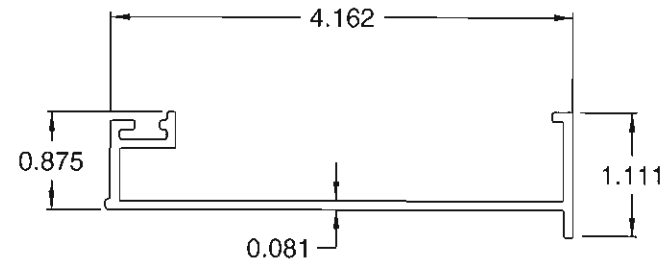
FBC Installation Instruction

United Energetech
 3005 South Hickory St.
 Chattanooga, TN 37407

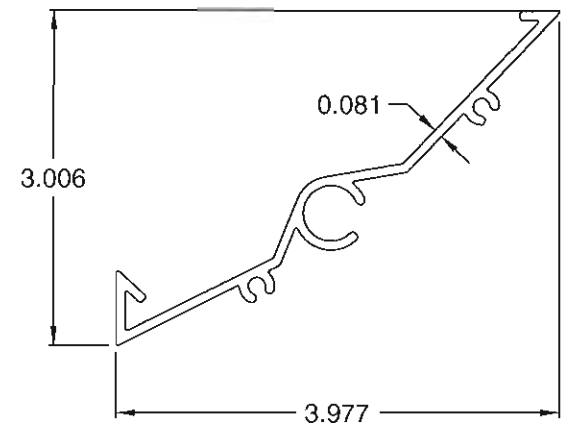
35

Model FL-D-4 sheet 1 of 4

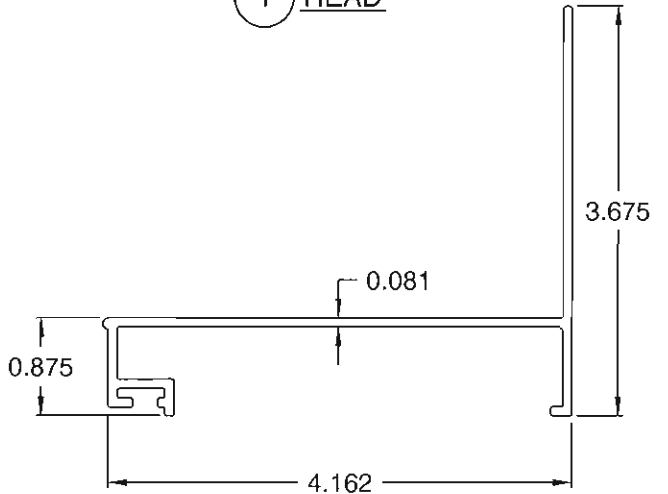
BILL OF MATERIALS		
ITEM #	DESCRIPTION	NOTES
1	HEAD	6063-T5 ALUM.
2	SILL	6063-T5 ALUM.
3	SIDE JAMB	6063-T5 ALUM.
4	BIRD SCREEN FRAME	6063-T5 ALUM.
5	BLADE	6063-T5 ALUM.
6	BLADE BRACE	6063-T5 ALUM.
7	STANDARD BIRD SCREEN	3/4" X .051" FLATTENED ALUM.
8	MULLION STRIP (VERTICAL MULLIONS)	6063-T5 ALUM.
9	FLANGE (OPTIONAL)	6063-T5 ALUM.
10	EXTENDED SILL (OPTIONAL)	6063-T5 ALUM.
11	MOUNTING ANGLE CLIP #1	6063-T5 ALUM.
11a	MOUNTING ANGLE CLIP #2 (OPTIONAL)	6063-T5 ALUM.
12	#8 X 3/4" HEX HEAD, ZINC PLATED S.M.S.	LOUVER ASSEMBLY
13	#10 X 3/4" HEX HEAD, ZINC PLATED TEK SCREW	BLADE BRACE & MULLION STRIP ATTACHMENT
14	#14 X 1" HEX HEAD, ZINC PLATED TEK SCREW (By Others)	ANGLE CLIP ATTACHMENT TO LOUVER (OPTIONAL)
15	GLAZING FRAME (OPTIONAL)	6063-T5 ALUM.



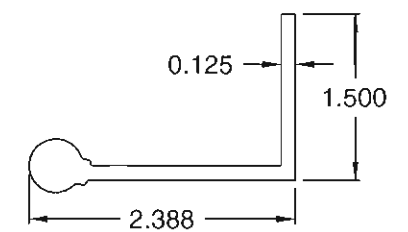
1 HEAD



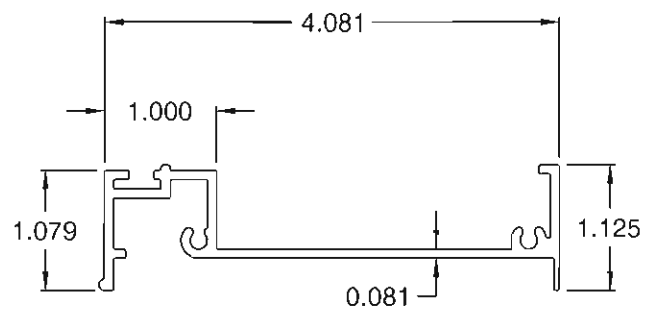
5 BLADE



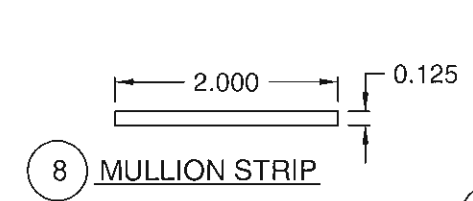
2 SILL



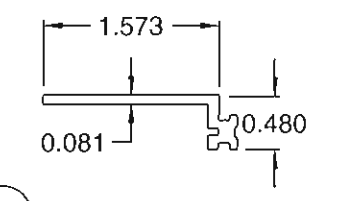
6 BLADE BRACE



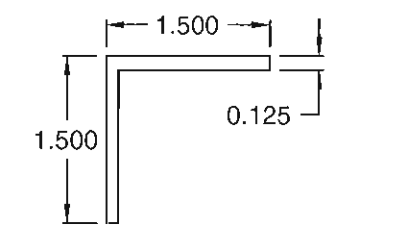
3 SIDE JAMB



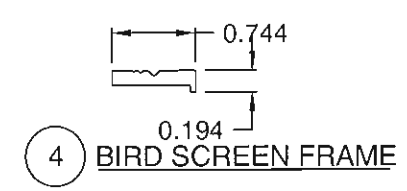
8 MULLION STRIP



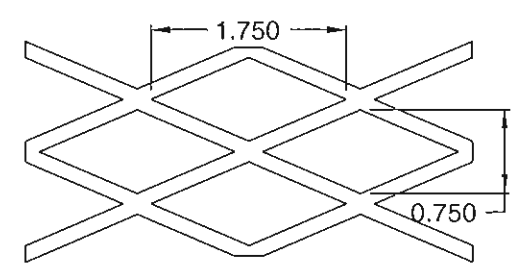
9 FLANGE (OPTIONAL)



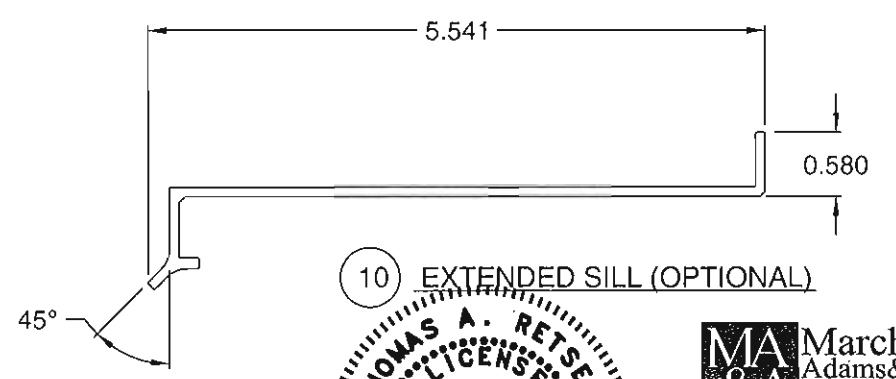
11 MOUNTING ANGLE (OPTIONAL)



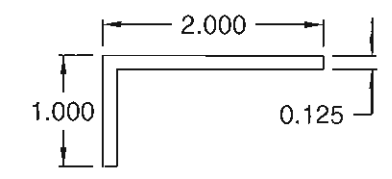
4 BIRD SCREEN FRAME



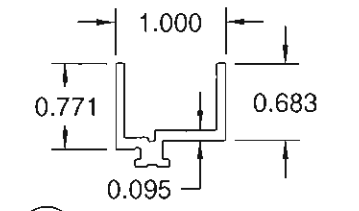
7 STD. BIRD SCREEN



10 EXTENDED SILL (OPTIONAL)



11a MOUNTING ANGLE (OPTIONAL)



15 GLAZING FRAME (OPTIONAL)



MA & A March Adams & Associates
 310 Dodds Ave.
 P.O. Box 3689
 Chattanooga, Tennessee 37404
 PH: (423)698-6675
 MAA #: 0904

Date: 09-21-09
 Drawn By: C. Jackson

FBC Installation Instruction

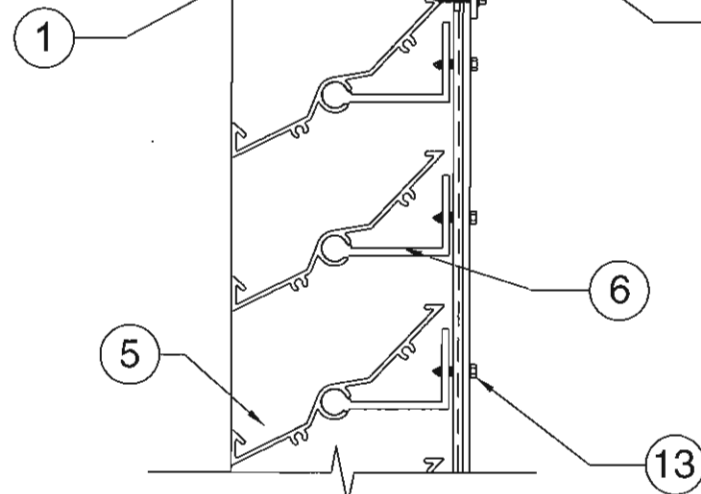


3005 South Hickory St.
 Chattanooga, TN 37407

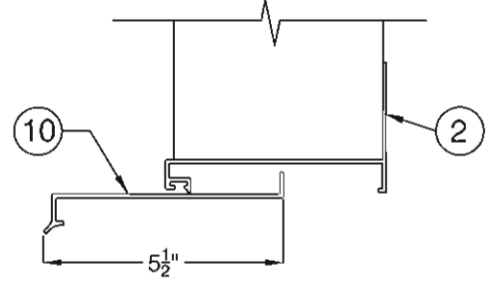
Model FL-D-4 sheet 2 of 4

Use appropriate fastener for substrate and load capacity (by others)

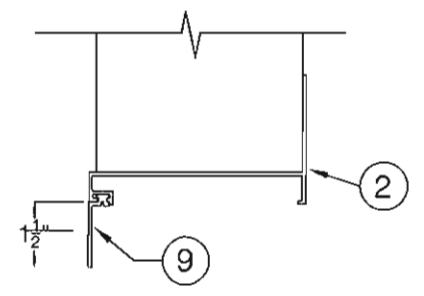
Backer rod & caulk not supplied by UE



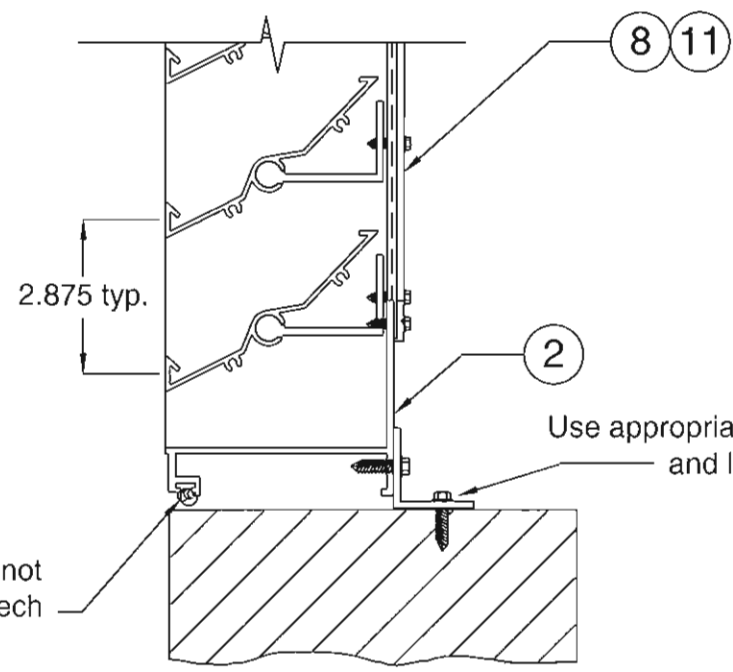
11 Recommended Installation:
 $1\frac{1}{2}$ " X $1\frac{1}{2}$ " x .125" (3" long) alum. angle clips, 3" from edge, 18" o.c. Attached to louver perimeter with (2) #14 tek screws, 1 fasteners per clip to substrate unless otherwise noted in Table 1. (angles can be supplied by United Enertech or Others)



Extended Sill (optional)

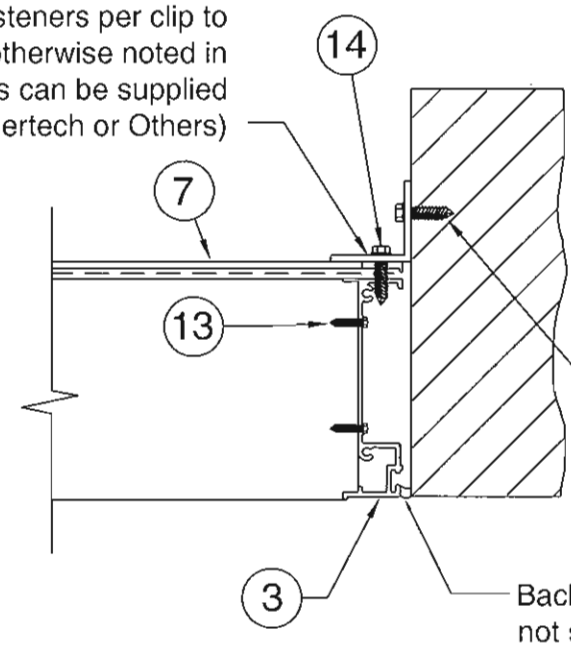


Flange (optional)

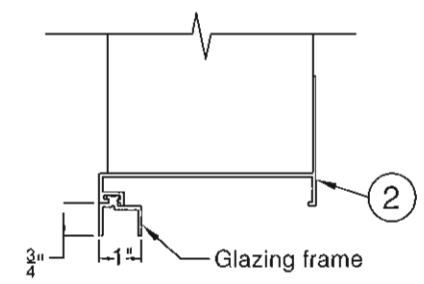


Detail "A"
Head & Sill Attachment

Recommended Installation:
 $1\frac{1}{2}$ " X $1\frac{1}{2}$ " x .125" (3" long) alum. angle clips, 3" from edge, 15" o.c. Attached to louver perimeter with (2) #14 tek screws, 1 fasteners per clip to substrate unless otherwise noted in Table 1. (angles can be supplied by United Enertech or Others)



Detail "B"
Jamb Attachment



Glazing frame (optional)

Backer rod & caulk not supplied by United Enertech

Use appropriate fastener for substrate and load capacity (by others)

Use appropriate fastener for substrate and load capacity (by others)

Backer rod & caulk not supplied by UE



MA & A March Adams & Associates
 310 Dodds Ave. P.O. Box 3689
 Chattanooga, Tennessee 37404
 PH: (423)698-6675
 Controlling Engineers MAA #: 09046

Date: 10-06-09
 Drawn By: SDC

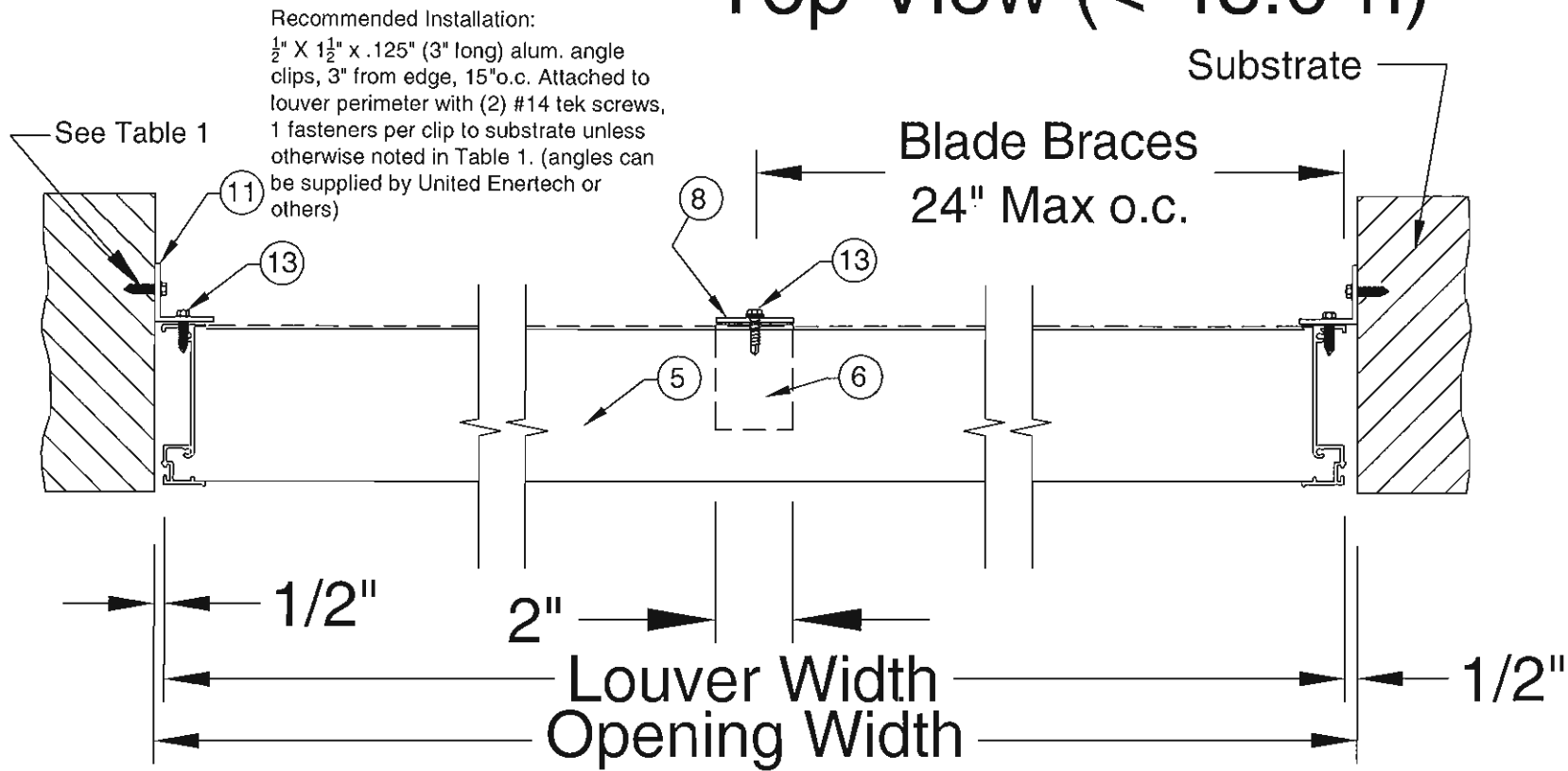
FBC Installation Instruction



3005 South Hickory St.
 Chattanooga, TN 37407

Model FL-D-4 sheet 3 of 4

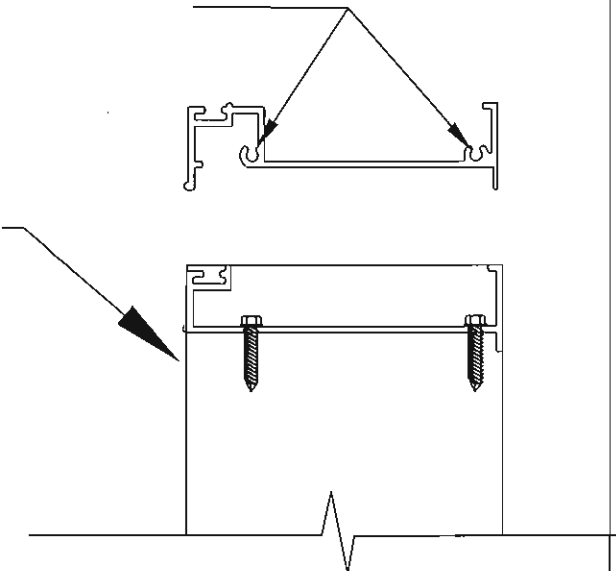
Top View (< 48.0" h)



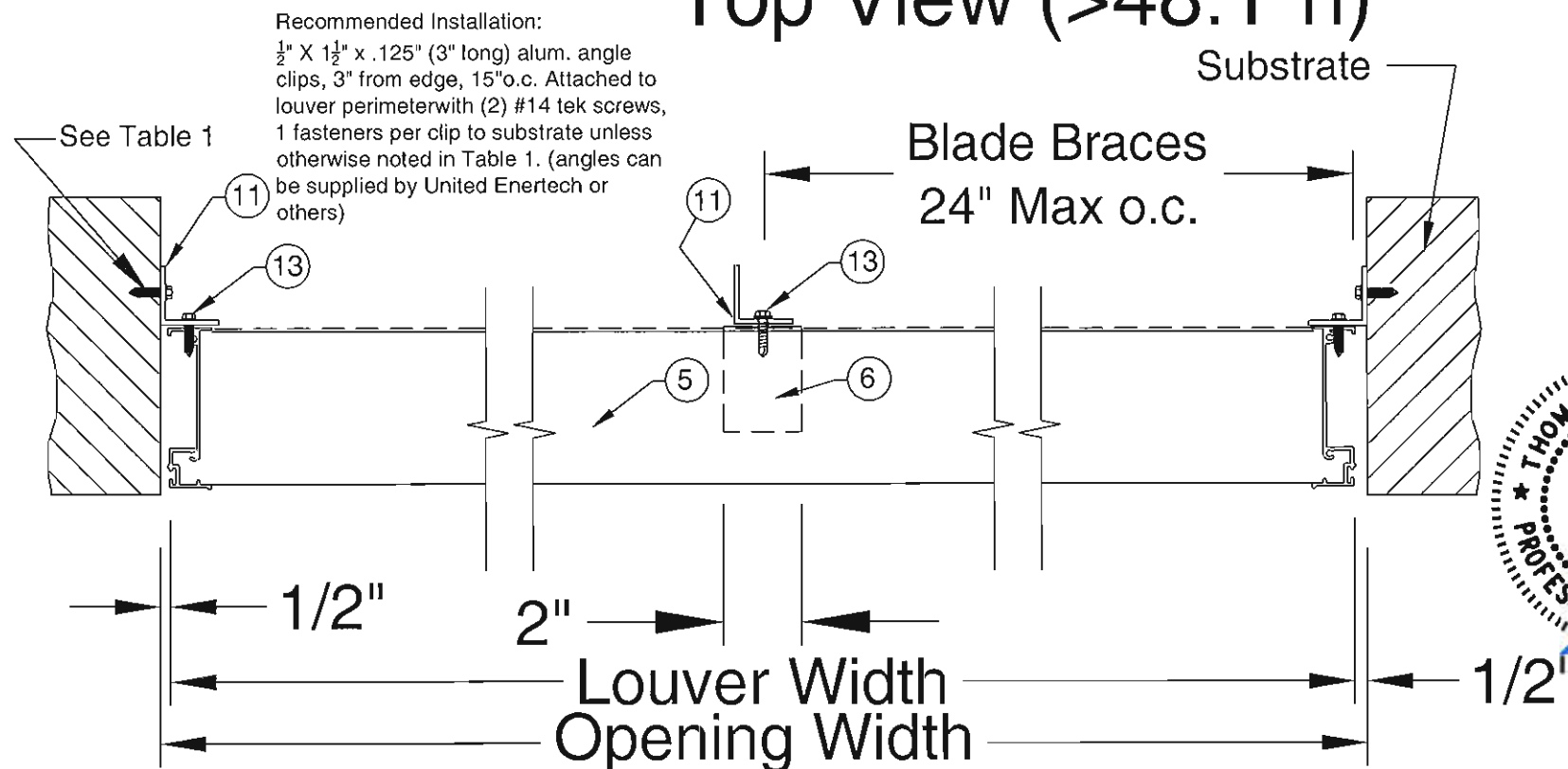
Side View of Head and Jamb Attachments

Sill Screw Locations

Jamb attached to head with #8x $\frac{3}{4}$ " sms (2 per side)

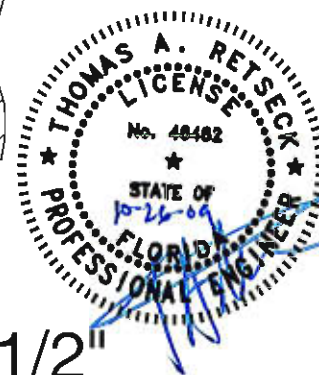
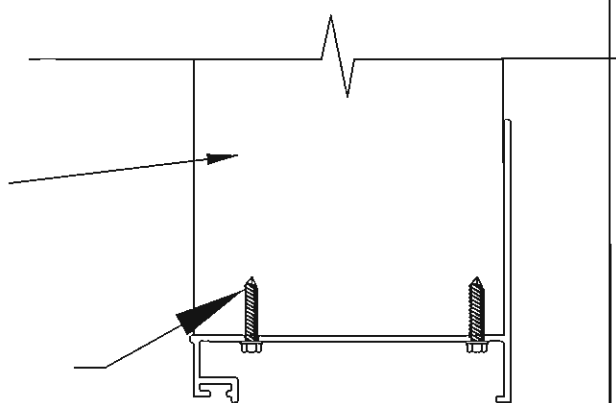


Top View (>48.1" h)



Jamb

Jamb attached to sill with #8x $\frac{3}{4}$ " sms (2 per side)



MA & A March Adams & Associates
 Consulting Engineers
 310 Dodds Ave.
 P.O. Box 3689
 Chattanooga, Tennessee 37404
 PH: (423)698-6675
 MAA #: 09044

Date: 10-06-09

Drawn By: SDC

FBC Installation Instruction



3005 South Hickory St.
 Chattanooga, TN 37407