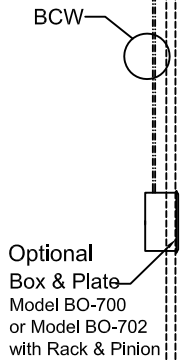
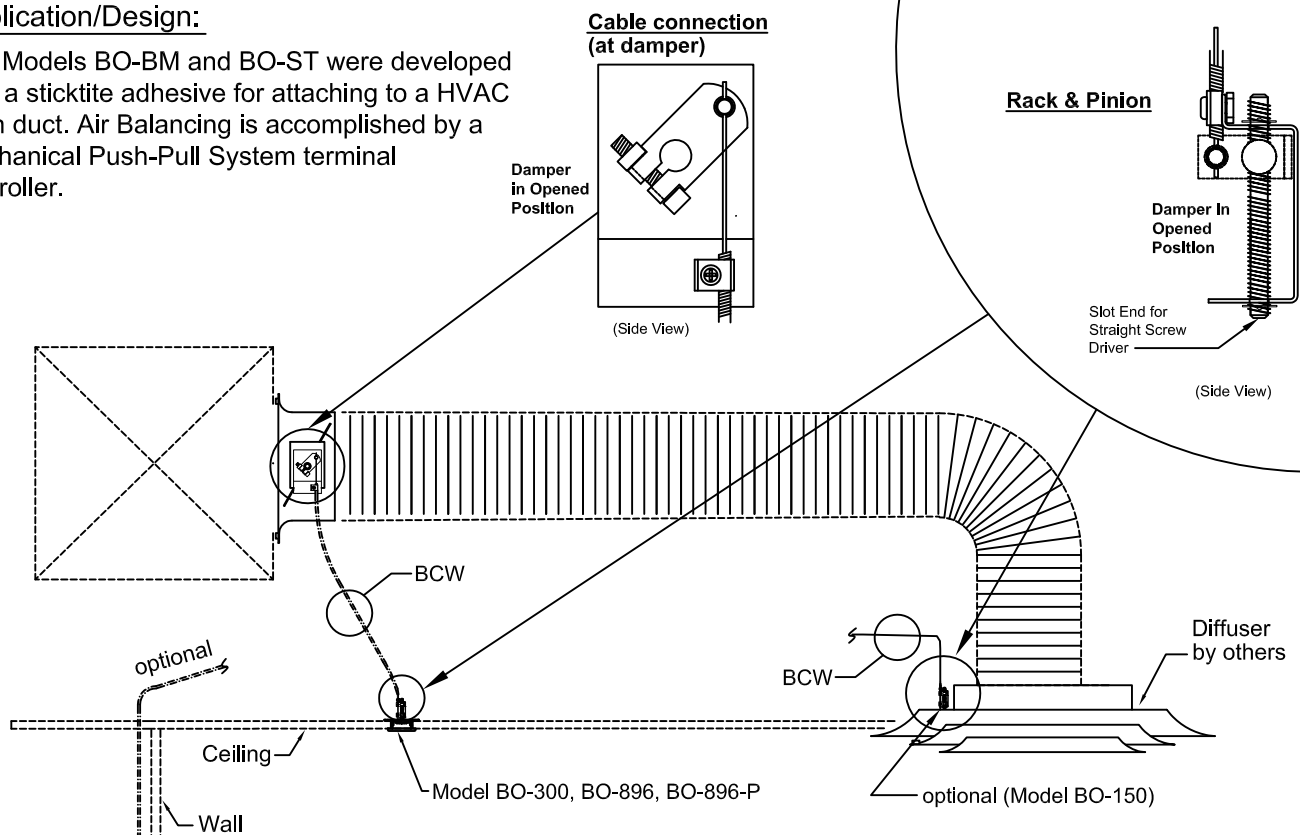
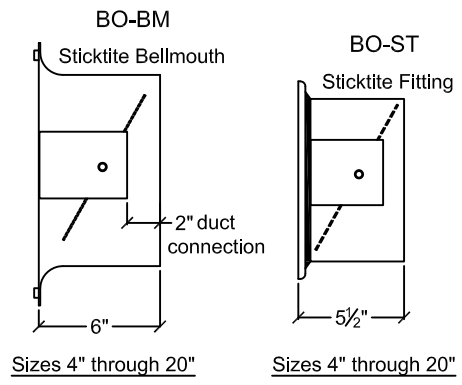


**Application/Design:**

The Models BO-BM and BO-ST were developed with a sticktite adhesive for attaching to a HVAC main duct. Air Balancing is accomplished by a Mechanical Push-Pull System terminal controller.



**Model BO-BM / BO-ST (Sticktite Damper)**



- Features:**
- Body:** 26 ga. Galvanized Steel
  - Blade:** 24 ga. Galvanized Steel
  - Bearings:** Molded Synthetic Nylon
  - Shaft:** Zinc Plated Steel

- RECOMMENDED SPECIFICATIONS**
- A. Remote control system shall provide means of balancing airflow in ductwork above inaccessible ceilings
  - B. In these areas, the contractor shall furnish and install Model BO-BM or BO-ST stick-on branch take-offs.
  - C. The contractor shall furnish and install remote options of Model BO-300, BO-700, BO-150, BO-896, BO-896-P Controllers. Model BO-300 has a zinc plated steel face plate.
  - D. The contractor shall connect Bowden control wire from the damper to the terminal point. Cable is capable of lengths up to 50 feet.
  - F. The Bowden Cable System shall be manufactured by United Energetech Corporation.

BCW - Bowden Control Wire  
 (All 303 Stainless Steel)

Due to continuing research, United Energetech reserves the right to change specifications without notice.

Job Name:	DRAWN BY: CLJ	DATE: 8-4-09	REV. DATE: 11-5-10
Location:			
Architect:			
Engineer:	REV. NO. 9	APPROVED BY: BGT	DWG. NO.: E-8
Contractor:			