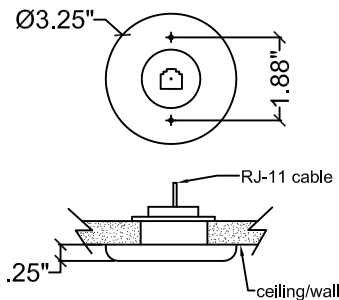


Application/Design

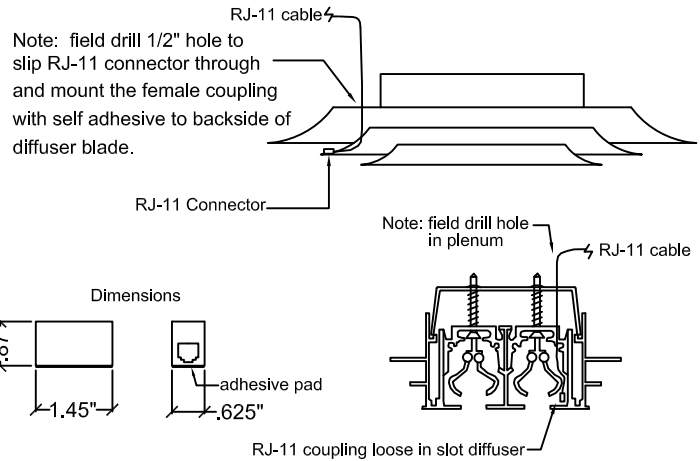
The United Enertech *Power / Balance System™* was developed to provide an easier means of balancing the HVAC system of individual rooms or zone temperature control. The system is composed of a damper, actuator, RJ-11 plenum rated, or Standard Non-Rated cable, female receptacle and a hand-held battery pack to adjust for designed air flow in the room or zone.

Remote Plate Options:

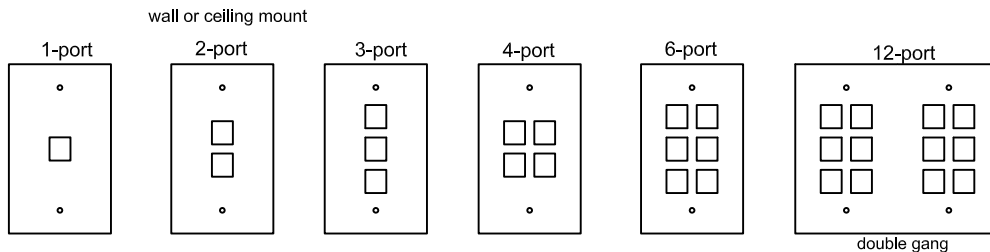
- Model J50** (wall or ceiling)
 *Standard White



- Model J150** (diffuser terminal point)



- Model J100** (single gang)
 *Standard White



- **Optional Colors**
- ivory grey
 - almond brown
 - black

Note: zones or specific area can be labelled on face of plate.

Due to continuing research, United Enertech reserves the right to change specifications without notice.

U.S. Pat. No.
 8,038,075
 Air Damper balancing
 system and method

Job Name:	DRAWN BY: SRB	DATE: 1-30-06	REV. DATE:
Location:			11-5-10
Architect:			
Engineer:	REV. NO. 18	APPROVED BY: BGT	DWG. NO.: E-5
Contractor:			