

## CD-100-RP

### Suggested Specifications:

Furnish and install at location shown on drawing or in accordance with schedules dampers meeting the following specifications. A rod is operated with controller J200 for use behind designated grilles or diffuser. Dampers must meet the low pressure drop equal to United Enertech **MODEL CD-100-RP**.

### Standard Features:

- Extruded Aluminum (.081") Frame
- Extruded Aluminum airfoil blades .10" (blade thickness measured halfway between pivot point and tip.)
- Bronze oilite bearing
- Concealed Linkage
- Zinc pivot pins & thrust bearings

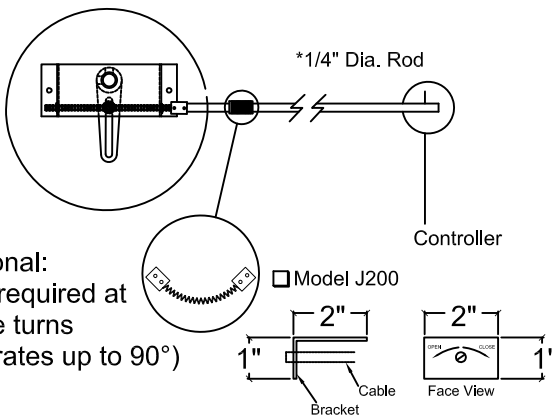
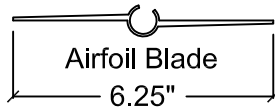
### Ratings:

Pressure: -up to 2" w.g.

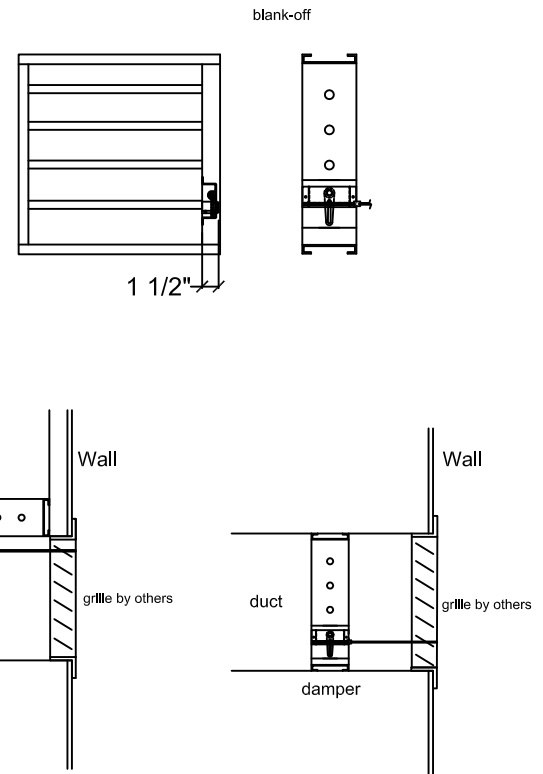
Max. Velocity: 12" wide	-	2500 FPM
24"	-	2100
36"	-	1900
48"	-	1600

### Variations:

- Blade Seals PVC (175°F)



### Concealed Rack & Pinion



Due to continuing research, United Enertech reserves the right to change specifications without notice.

Job Name:	<input type="checkbox"/> <b>MODEL CD-100-RP</b>		
Location:			
Architect:	DRAWN BY:	DATE:	REV. DATE:
Engineer:	CLJ	12-03-99	11-5-10
Contractor:	REV. NO.	APPROVED BY:	DWG. NO.:
	23	BGT	E-24