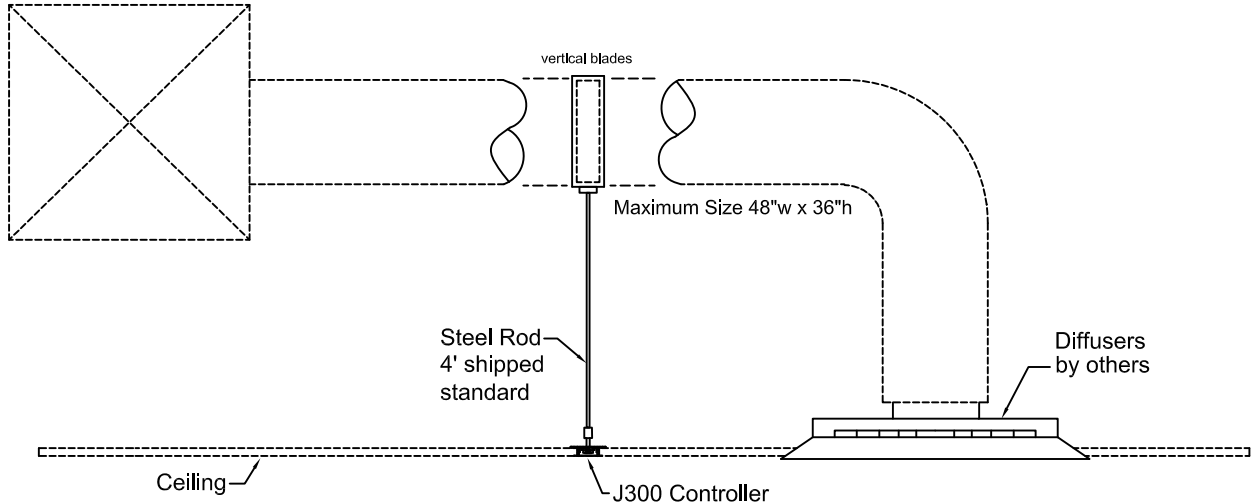


**MODEL CD-100 J-SR**

See drawing A-1 for additional dimensional data.

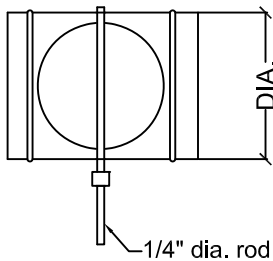
**MODEL RD-RR**

See drawing B-2 for additional dimensional data.



**Model RD-RR (Rod)**

See drawing B-2 for additional dimensional data



**Features:**

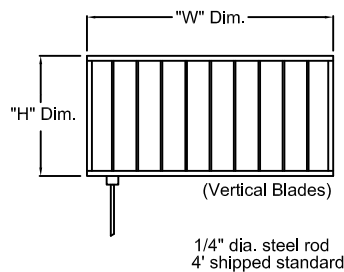
**Body &**

- Blade:** 4"-10" 24 Ga. Galvanized  
 12"-18" 20 Ga. Galvanized  
 20"-30" 18 Ga. Galvanized

Due to continuing research, United Enertech reserves the right to change specifications without notice.

**Model CD-100 J-SR (Rod)**

See drawing A-1 for additional dimensional data



This damper features thrust bushings- for vertical operation  
 Maximum Size: 48"w x 48"h

**Features:**

- Frame:** .081 Extruded Aluminum  
**Blade:** .125 Extruded Aluminum  
**Bearing:** Bronze Oilite  
**Linkage:** Concealed in frame  
**Axels:** 1/2"Ø Zinc Plated steel with thrust bushings

**RECOMMENDED SPECIFICATIONS**

- A. The remote control system shall provide means of balancing airflow in ductwork above inaccessible ceilings.
- B. In these areas, the contractor shall furnish and install Model CD-100 J-SR (inline) in the branch duct.
- C. The contractor shall furnish and install a ceiling operator Model J300 (2.813" opening), Model J200, or J400.
- D. The contractor shall connect 1/4"Ø steel rods from the damper to the operator. Rod lengths are available up to 10'.
- E. The Steel Rod System shall be manufactured by United Enertech Corporation.

Job Name:	DRAWN BY: SRB	DATE: 2-10-06	REV. DATE: 11-5-10
Location:			
Architect:			
Engineer:	REV. NO. 11	APPROVED BY: BGT	DWG. NO.: E-23
Contractor:			