

SUBMITTAL DATA

Twisting Cable System

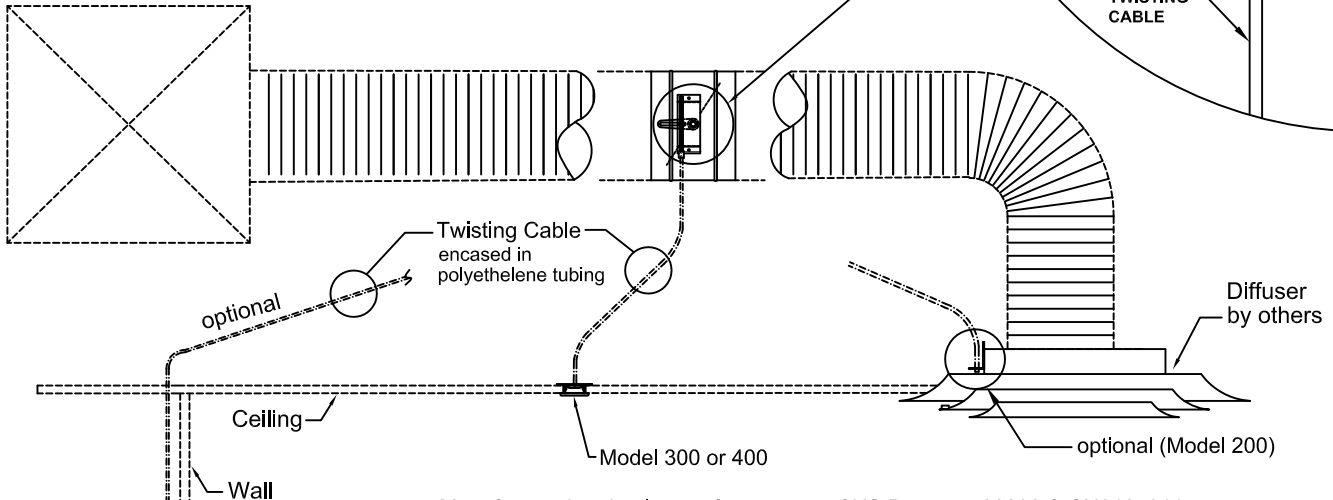
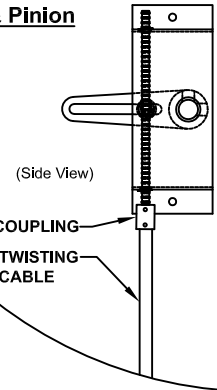
Model RD-RC (Round Single Blade Damper)

Application and Design:

The Model RD-RC was developed for air balancing at the mid/duct above inaccessible ceilings with twisting cable adjustment at a terminal controller.

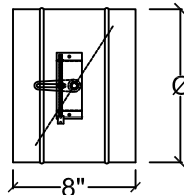
MAXIMUM VELOCITY		
DIAMETER	FPM	MAX. PRESSURE DIFFERENTIAL
4 - 8"	2600	6"
10 - 12"	2400	5"
14 - 18"	2300	4"
20"	2300	3"

Rack & Pinion



Manufactured under license from owner of US Patent 5702298 & CN2185311

Model RD-RC (Single Blade Damper)



Features:

- Frame:** 24 ga galvanized steel (4" -10"Ø)
- Frame:** 20 ga galvanized steel (12" -20" Ø)
- Blade:** 24 ga galvanized steel (4" -10"Ø)
- Blade:** 20 ga galvanized steel (12"-20"Ø)
- Bearings:** Nylon 6/6 molded synthetic
- Axles:** Zinc Plated Steel pins

- Options:
- Aluminum Construction
 - Stainless Steel Construction
 - 304 stainless 316 stainless
 - Oval Damper
 - W = _____"
 - H = _____"
-

RECOMMENDED SPECIFICATIONS

- A. Remote control system shall provide means of balancing airflow in ductwork above inaccessible ceilings
- B. In these areas, the contractor shall furnish and install Model RD-RC in the branch duct.
- C. The contractor shall furnish and install remote options of Model 200, 300, 400, 900, or 900-SM Controllers. Model 300 has zinc plated steel faceplate. Cable is capable of lengths of up to 60 feet.
- D. The contractor shall connect Twisting braided brass plated cable encased in polyethylene sheath from the damper to the terminal point.
- F. The Twisting Cable System shall be manufactured by United Enertech Corporation.

Due to continuing research, United Enertech reserves the right to change specifications without notice.

Optional Box & Plate Model 900 or Model 900-SM

CABLE LENGTHS	
LENGTH	DAMPER DIAMETER
10 ft.	20"Ø
12 ft.	18"Ø
14 ft.	14"Ø
18 ft.	12"Ø
up to 60 ft.	under 12"Ø

Job Name:	DRAWN BY:	DATE:	REV. DATE:
Location:	CLJ	9-30-09	11-5-10
Architect:	REV. NO.	APPROVED BY:	DWG. NO.:
Engineer:	6	BGT	E-15
Contractor:			