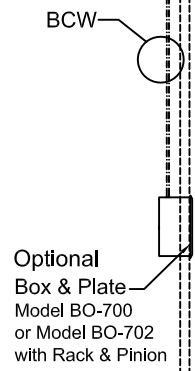
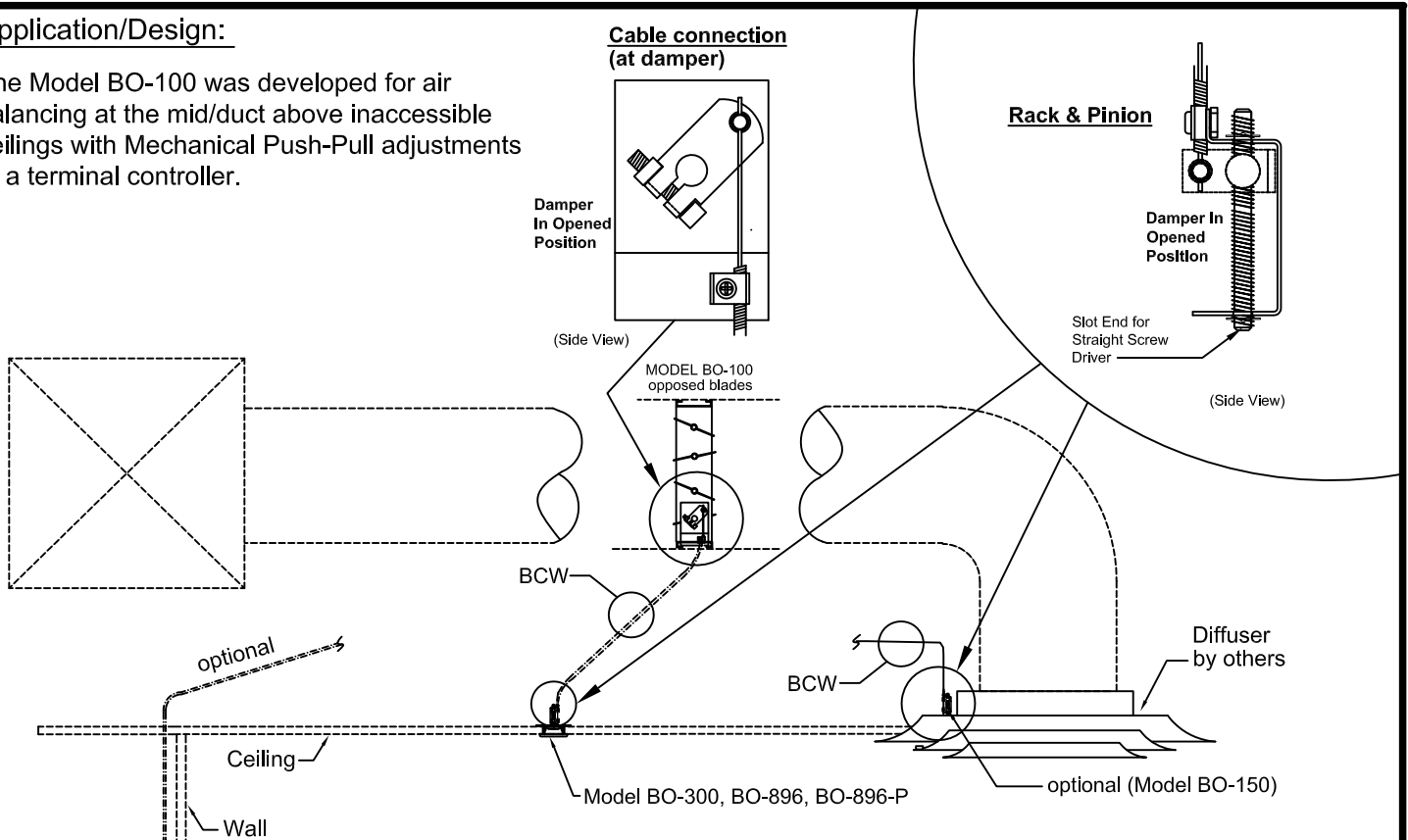


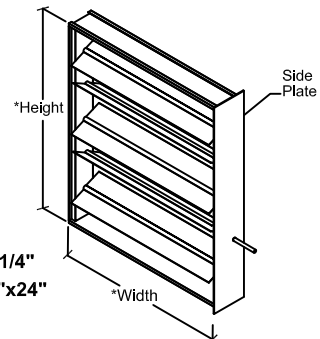
Application/Design:

The Model BO-100 was developed for air balancing at the mid/duct above inaccessible ceilings with Mechanical Push-Pull adjustments at a terminal controller.



Due to continuing research, United Energetech reserves the right to change specifications without notice.

Model BO-100 (Rectangular Damper)



***Undersized 1/4"**
Max Size: 36"x24"

Features:

- Frame:** .081" Extruded Aluminum
- Blade:** .125" Extruded Aluminum
Exception- formed aluminum single blade thru 12" height
- Bearings:** Bronze Oilite
- Axles:** 1/2" dia. zinc plated steel with thrust bearing
No jamb seals
- Side Plate:** 6-1/4" x (ht. +1") x 18 ga galv. steel

for performance see dwg. A-1 (CD-100)

RECOMMENDED SPECIFICATIONS

- A. Remote control system shall provide means of balancing airflow in ductwork above inaccessible ceilings
- B. In these areas, the contractor shall furnish and install Model BO-100 in the branch duct.
- C. The contractor shall furnish and install remote options of Model BO-300, BO-700, BO-150, BO-896, BO-896-P Controllers. Model BO-300 has zinc plated steel faceplate.
- D. The contractor shall connect Bowden control wire from the damper to the terminal point. Cable is capable of lengths up to 50 feet.
- F. The Bowden Cable System shall be manufactured by United Energetech Corporation.

BCW - Bowden Control Wire
 (All 303 Stainless Steel)

Job Name:	DRAWN BY: CLJ	DATE: 8-3-09	REV. DATE: 11-5-10
Location:			
Architect:	REV. NO. 10	APPROVED BY: BGT	DWG. NO.: E-10
Engineer:			
Contractor:			