

CONTROL DAMPERS
Model RI-F

APPLICATION AND DESIGN

Model RI-F is a Medium Duty round control damper with a flanged style frame. It is designed to control airflow and provide shut off in HVAC or industrial process control systems. A variety of optional features makes Model RI-F extremely versatile, allowing its capabilities to be tailored to the application.

RATINGS

Pressure: up to 6 in w.g.- differential pressure (see chart)
 Velocity: up to 2600 fpm
 Temperature: 190° F

STANDARD CONSTRUCTION

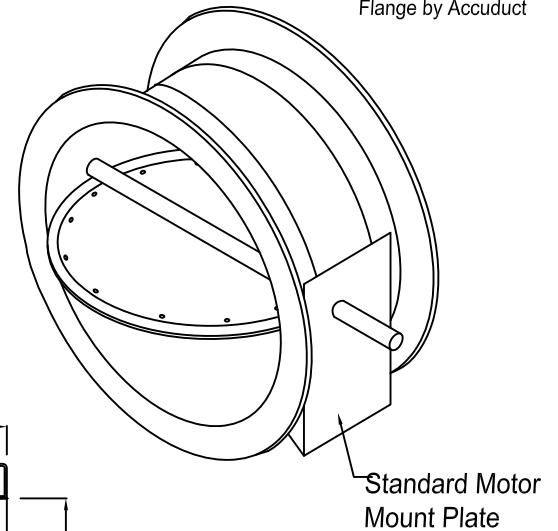
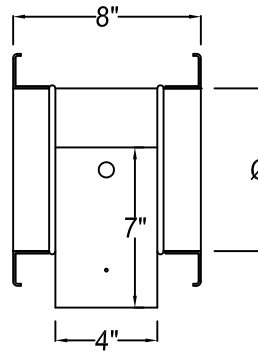
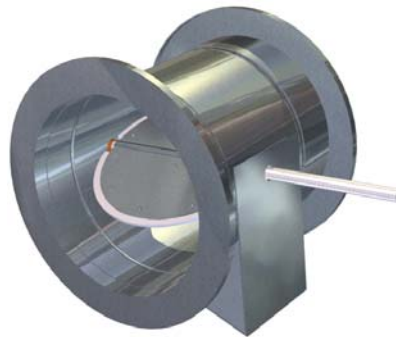
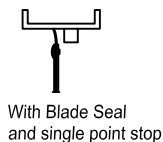
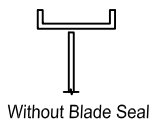
(see table below for specifics)

- Flange width: 1-3/8"
- Blades: Steel, reinforced as required
- Axles: 1/2" Ø solid aluminum, 3/4" Ø steel (sizes above 32")
- Bearings: Bronze sleeve
- Frame/Blade Gauge: 18 ga thru 58", 16ga above 58"
- Blade Seals: crosslink closed cell (190°)
- Mounting Plate: 20ga. galvanized steel

OPTIONS:

- Silicone Blade Seal (400°F (204°C))
- Bearings (stainless steel)
- Hand Quadrant
- Stainless Steel Construction
 (3/4" flange for Ø16" and under, 1-3/8" flange for above Ø16")
 - 304 S.S.
 - 304L S.S.
 - 316 S.S.
 - 316L S.S.
- Aluminum Construction
 (1" flange for Ø16" and under, 1-3/8" flange for above Ø16")
- Nylon 6/6 Bushing
 (for aluminum construction)
- Powder Coated Epoxy

BLADE/FRAME SECTIONS



*Approx 1/4" Undersized

MAXIMUM VELOCITY		
Diameter(D)	FPM	Maximum Pressure Differential
6" - 9"	2600	6"
10" - 13"	2400	5"
14" - 19"	2300	4"
20" - 25"	2300	3"
26" - 31"	2200	2.5"
32" - 39"	2000	2"
40" - 49"	1800	2"
50" - 59"	1600	1.5"
60" - 66"	1400	1"

Job Name:

Location:

Architect:

Engineer:

Contractor:

MODEL RI-F

DRAWN BY:

CLJ

REV. NO.

27

DATE:

7-01-99

APPROVED BY:

MD

REV. DATE:

1-24-14

DWG. NO.:

D-1