



# MODEL CK-2000-1 (B)

THERMAL BLANKETS  
U.L. 555C AND S112.2 CLASSIFIED  
4 Hour Rated

## Application and Design

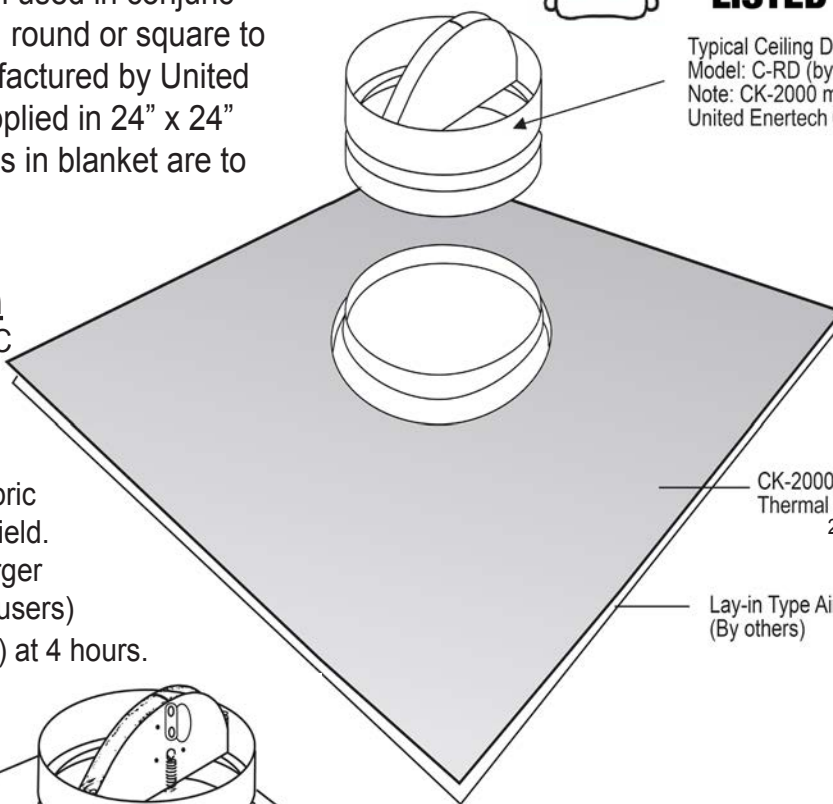
The Model CK-2000-1 (B) is UL Classified under Batts and Blankets as being UL approved for use on the back of diffusers when used in conjunction with square, rectangular, round or square to round ceiling dampers manufactured by United Enertech. This blanket is supplied in 24" x 24" (610mm x 610mm). Openings in blanket are to be field cut to match diffuser.

## Standard Construction

- Listed and labelled by UL/ULC for openings up to 576 sq. in., (14,630 sq. mm) rated 4 hrs. or less.
- Lightweight, non-asbestos fabric can be easily installed in the field.
- Allows for ceiling openings larger than duct size. (e.g. lay-in diffusers)
- Tested up to 2000°F (1093°C) at 4 hours.

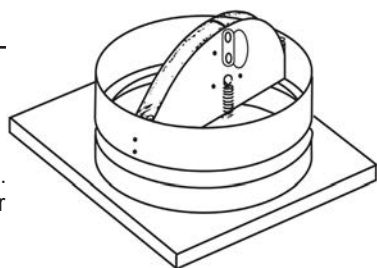


Typical Ceiling Damper  
Model: C-RD (by United Enertech)  
Note: CK-2000 may be used with other United Enertech Ceiling Dampers.



CK-2000-1 (1/8" Thick)  
Thermal Blanket (Shown)  
24" X 24"

Lay-in Type Air Diffuser  
(By others)



\*Model C-RD-T  
for square or rectangular necks.

Designed and tested in accordance to standards: UL 555C, ULC S112.2. Labeled and listed by UL/ULC under File #R25411. They meet all the NFPA-90A, IBC Code, and other major code requirements for Ceiling (Radiation) Dampers.

## Alternate Thermal Blanket:

- CK-2000-1B, 1-1/4" batt mineral wool - 24" X 24"

### SUGGESTED SPECIFICATION

Thermal blanket diffuser protection shall be Model CK-2000-1 (-B) by United Enertech. Thermal blanket shall bear the Underwriters' Laboratories label and be rated for the back of diffusers when used in conjunction with square, rectangular, round or square-to-round ceiling dampers as manufactured by United Enertech.

Note: Thermal blanket diffuser protection shall be Model CK-2000-1 (-B) by United Enertech. The thermal blanket shall be provided with each ceiling damper for installation where the diffuser opening is more than 2" (51mm) larger than the opening through the ceiling membrane.

Job Name:
Location:
Architect:
Engineer:
Contractor:

<input type="checkbox"/> <b>MODEL CK-2000-1</b>		
<input type="checkbox"/> <b>MODEL CK-2000-1B</b>		
DRAWN BY: MAB	DATE: 11-07-07	REV. DATE: 10-24-08
REV. NO. 8	APPROVED BY: SDC	DWG. NO.: D-9