

**MODEL C/D-P**  
CEILING DAMPER SQUARE AND RECTANGULAR  
U.L. 555C CLASSIFIED ASSEMBLIES AND ULC S112.2 LISTED  
Approved for 1 - 4 Hour Rated

**Application and Design**

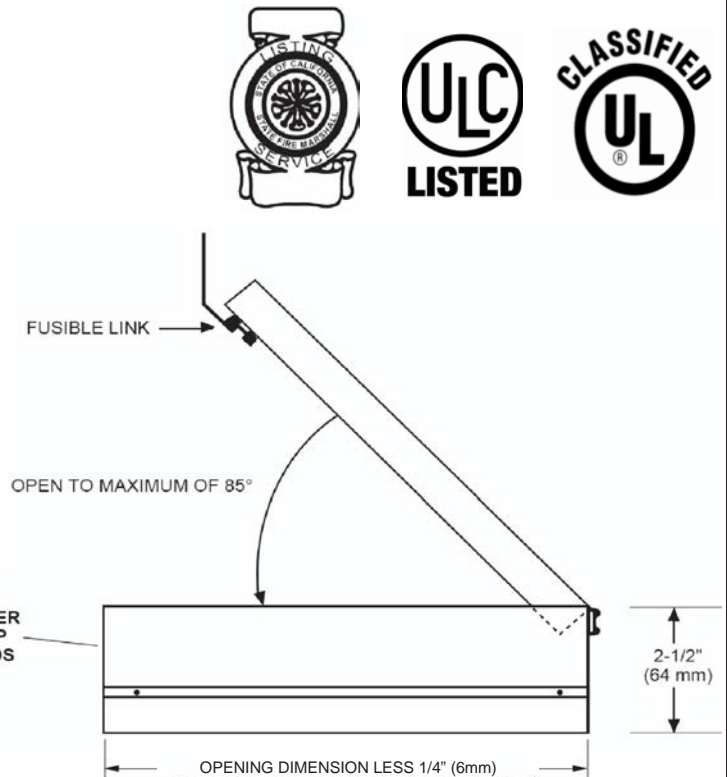
The Model C/D-P is a square/rectangular UL Classified ceiling (radiation) damper, hinged door style, approved for both steel duct and ductless installations in approved UL ceiling designs that incorporate/show a hinged door damper requiring fire/heat protection where HVAC components penetrate the ceiling membrane. These dampers provide protection up to 24" x 24" (610mm x 610mm) openings. These dampers are held open by fuse link being suspended from above structure.

**Standard Construction**

- Frame:** Roll formed. - 22 Ga. Galvanized Steel
- Blades:** 22 Ga. - Galvanized Steel w/ non-asbestos U.L./U.L.C. Classified insulation
- Fusible Link:** Replaceable 212°F (100°C) standard (others available)
- Opening:** 576 sq. in. (14,630 sq. mm)

Designed and tested in accordance to standards: UL 555C, ULC S112.2. Labeled and listed by UL/ULC under File #R25411. They meet all the NFPA-90A, IBC Code, and other major code requirements for Ceiling (Radiation) Dampers.

CEILING DAMPER  
MODEL: C/D-P  
NON-ASBESTOS



Note: Due to continuing research, UE reserves the right to change specifications without notice.

Standard Sizes	
Nominal Size	Actual Size
12" X 12" (305mm X 305mm)	11-3/4" X 11-3/4" (298mm X 298mm)
24" X 12" (610mm X 305mm)	23-3/4" X 11-3/4" (603mm X 298mm)
24" X 24" (610mm X 610mm)	23-3/4" X 23-3/4" (603mm X 603mm)

**SUGGESTED SPECIFICATION**

Square and rectangular ceiling dampers shall be Model C/D-P by United Enertech. Ceiling dampers shall bear the Underwriters' Laboratories label and be rated for both ducted or non-ducted air systems. Ceiling dampers shall be of the non-asbestos type and shall require no external shroud protection.

**Manufacturer's Recommendations**

All moving parts of the damper must be inspected and cycled once the first year and at intervals not greater than every 4 years or in accordance with the latest edition of NFPA 90A, 92A, local codes and the manufacturer. In addition, fuse links shall be removed and inspected for corrosion. Dry lubricants are recommended.

Job Name:	<input type="checkbox"/> <b>MODEL C/D-P</b>						
Location:							
Architect:							
Engineer:	<table border="1"> <tr> <td>DRAWN BY: MAB</td> <td>DATE: 11-07-07</td> <td>REV. DATE: 07-10-08</td> </tr> <tr> <td>REV. NO. 4</td> <td>APPROVED BY: SDC</td> <td>DWG. NO.: D-8</td> </tr> </table>	DRAWN BY: MAB	DATE: 11-07-07	REV. DATE: 07-10-08	REV. NO. 4	APPROVED BY: SDC	DWG. NO.: D-8
DRAWN BY: MAB	DATE: 11-07-07	REV. DATE: 07-10-08					
REV. NO. 4	APPROVED BY: SDC	DWG. NO.: D-8					
Contractor:							