



(ENGINEERS)
SUBMITTAL DATA
Ceiling Radiation Damper
3 Hour Rated
For Use in Static Systems

Application and Design

The Model CRD-3HS2 provides fire and heat radiation protection of HVAC penetrations in floor/ceiling and roof/ceiling assemblies with restrained or unrestrained ratings of 3 hours or less. Standard fire dampers (1 1/2 & 3 hr.) do not provide the required protection as a ceiling radiation damper.

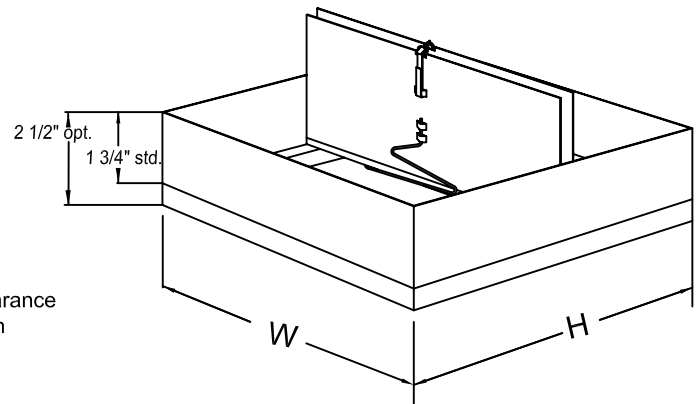
Model CRD-3HS2 meets or complies with the following as a ceiling radiation damper.

Standard Construction

- Frame: 21 GA Galvanized Steel
- Blades - Full Length Hinge: 21 GA Galvanized Steel
- Closure Springs: Stainless Steel
- Fusible Link - UL-33: UL Listed 212°F (standard) 165°F (optional)
- Insulation (blade): None required

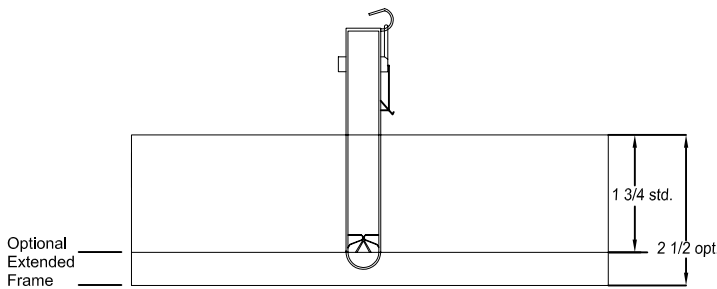
- NFPA Standards
- All major building codes, including BOCA, ICBO/UBC, SBCCI & ICC International Code
- UL 555C Listing 3 Hour - File #R25411
- Options
 Optional Volume Control Device (VCD)

Standard Sizes (duct)	
Minimum	4 1/2" x 4 1/2"
Maximum	20" W or 30" L- 576 sq. in. total



Notes:

- Dampers are fabricated 3/16" under ordered dimension for clearance
- Approved for use in any UL Resistance Directory Series Design including "L" series designs (Wood Frame)



Job Name:	<input type="checkbox"/> MODEL CRD-3HS2		
Location:			
Architect:			
Engineer:	DRAWN BY: RDF	DATE: 9-8-06	REV. DATE:
Contractor:	REV. NO.	APPROVED BY: BGT	DWG. NO.: D-6