



Application and Design

The Model CRD-3HRD provides fire and heat radiation protection of HVAC penetrations in floor/ceiling and roof/ceiling assemblies with restrained or unrestrained ratings of 3 hours or less. Standard fire dampers (1 1/2 & 3 hr.) do not provide the required protection as a ceiling radiation damper.

Model CRD-3HRD meets or complies with the following as a ceiling radiation damper.

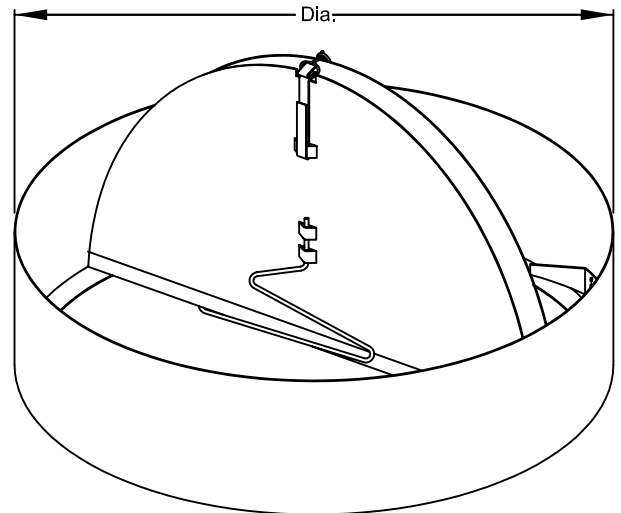
- NFPA Standards
- All major building codes, including BOCA, ICBO/UBC, SBCCI & ICC International Code
- UL 555C Listing 3 Hour - File #R25411

Standard Construction

- Frame: 21 GA Galvanized Steel
- Blades - Full Length Hinge: 21 GA Galvanized Steel
- Closure Springs: Stainless Steel
- Fusible Link - UL-33: UL Listed 212°F (standard) 165°F (optional)
- Insulation (blade): None required

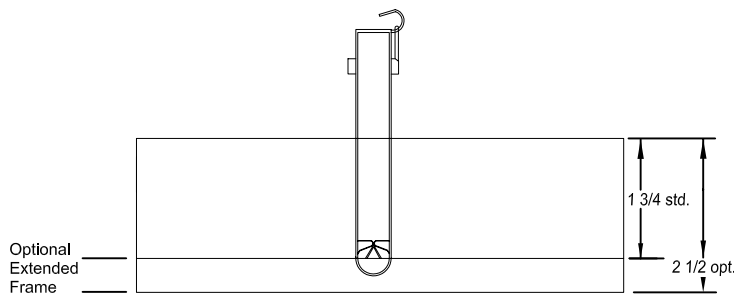
- Options
- Optional Volume Control Device (VCD)

| Standard Sizes (duct) | |
|-----------------------|-----------------|
| Minimum | 4 1/2" Diameter |
| Maximum | 27" Diameter |



Notes:

- Dampers are fabricated 3/16" under ordered diameter for clearance
- Approved for use in any UL Fire Resistance Directory Series design including "L" (wood frame)



| | | | |
|-------------|--|---------------------|-------------------------|
| Job Name: | <input type="checkbox"/> MODEL CRD-3HRD | | |
| Location: | | | |
| Architect: | | | |
| Engineer: | DRAWN BY: RDF | DATE: 9-8-06 | REV. DATE: |
| Contractor: | REV. NO. | APPROVED BY: BGT | DWG. NO.: D-2 |