

## Installation and Maintenance Schedule

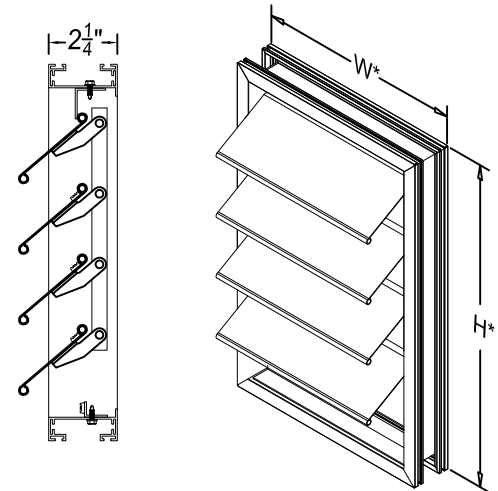
Dampers are built standard  $\frac{1}{4}$ " smaller than rough opening unless otherwise ordered. Place damper into rough opening or sleeve and fasten via suggested method shown below. Check the damper frame for squareness to insure the blades have proper clearance to open freely. Check operation of damper after installation by opening and closing completely. If damper is not installed square and free from racking, blades may bind and will not shut or open properly.

United Energetech dampers are engineered to require minimum maintenance. Depending on the environment, periodic cleaning may be required. Dry lubrication may be needed to ease points of friction. Under normal conditions, these dampers require no maintenance.

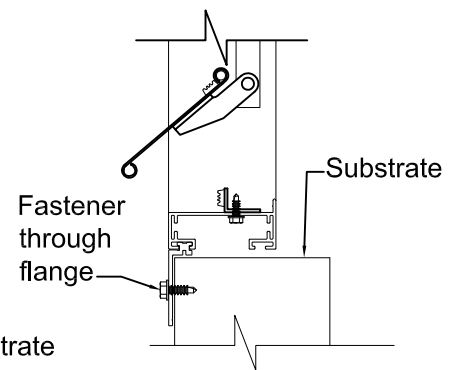
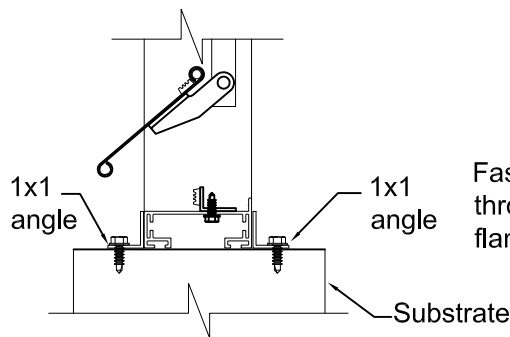
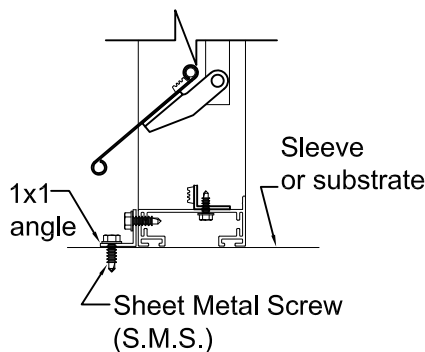
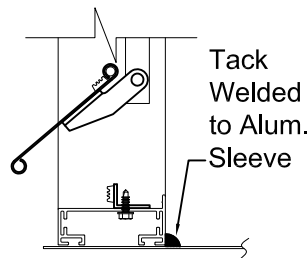
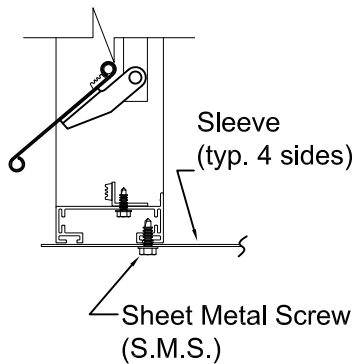
Use appropriate fasteners for substrate: S.M.S. or tack welds for Alum., S.M.S. for steel, Tapcons for concrete, Lag Screws for wood.

Suggested Fastener locations are 12" o.c. around perimeter of frame (min. 2 per side).

Note: Make sure fasteners do not interfere with blade operation.



\* W & H dimensions furnished approximately 1/4" under size.



Job Name:	<input type="checkbox"/> <b>MODEL CB-600</b> (1800 FPM)		
Location:	<input type="checkbox"/> <b>MODEL CB-601</b> (2400 FPM)		
Architect:	<input type="checkbox"/> <b>MODEL CB-602</b> (4000 FPM)		
Engineer:	DRAWN BY: SRB	DATE: 7-6-09	REV. DATE: 5-6-10
Contractor:	REV. NO. 4	APPROVED BY: BGT	DWG. NO.: <b>G-1c</b>