



MODEL M/S MICRO SWITCH PACKAGE FOR COMBINATION FIRE / SMOKE DAMPERS

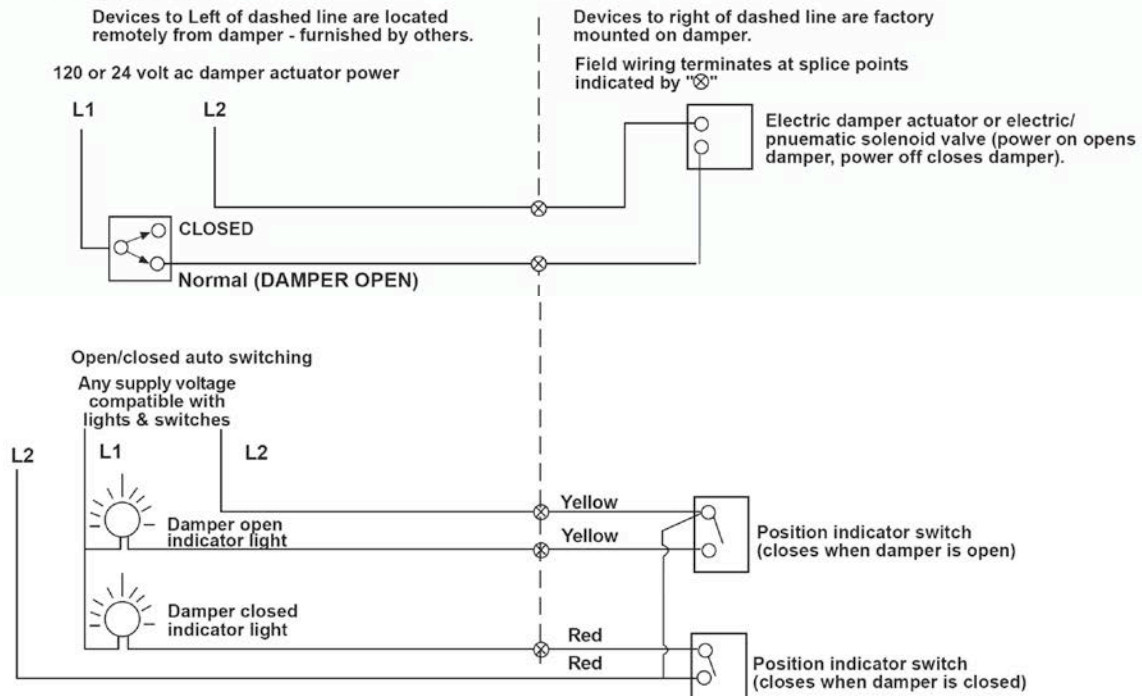


The M/S Switch Package provides the ability to remotely indicate the damper blade position. It is two integrally mounted micro switches for positive status indications. Electrical interface with a remote control on/off fan station is also possible with the M/S package.

The M/S Switch Package consist of the switch box, containing two damper position indicator switches (one closes when the damper is fully open and the other closes when the damper is fully closed), a switch box mounting bracket, a blade bracket, and hardware necessary to directly link the switch box to the blade.

The M/S option is available on all United Energetech F/S Model Combination Fire/Smoke Dampers, S Model Smoke dampers, and F/S-MB Model Multi-blade dampers.

WIRING DETAIL



Detailed wiring diagrams including terminal designation and/or wire color coding furnished with each shipment.

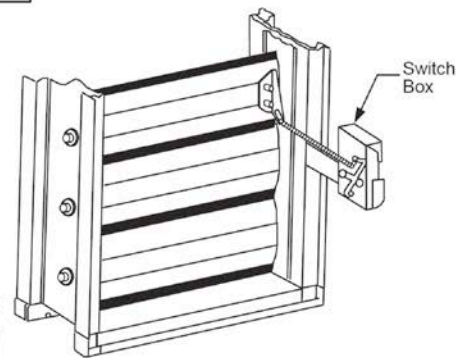
Indicator Switch Electrical Limitations

- 10 Amperes, 1/4 HP, 120 or 240 Volts A.C.
- .5 Ampere, 125 Volts D.C.
- .25 Ampere, 250 Volts D.C.
- 5 Amperes, 120 Volts (Lamp Load)
- 15 Amperes, 24 Volts D.C.

Manufacturer's Recommendations

All moving parts of the damper must be inspected and cycled at intervals not greater than every six months and in accordance with the latest edition of NFPA 90A, 92A, local codes and the actuator manufacturer. In addition, fuse links shall be removed and inspected for corrosion. Dry lubricants are recommended.

Specifications are correct at time of printing. However, as part of our 'continuous improvement program,' we reserve the right to make further improvements without notice.



Job Name:	<input type="checkbox"/> MODEL M/S		
Location:			
Architect:			
Engineer:	DRAWN BY: MAY	DATE: 11-07-07	REV. DATE: 01-16-08
Contractor:	REV. NO. 1	APPROVED BY: BGT	DWG. NO.: C-7