

DAMPERS ENCLOSURES AND TRANSITIONS

DIMENSIONS FOR SERIES S, S-RD & F/S DAMPERS

Standard Construction:

Sleeve: 20 ga. Galvanized Steel.

Enclosure: 18 ga. Galvanized Steel.

Transition Collars: 22 ga. Galv. Steel.

*D = DIAMETER

*W = WIDTH (DUCT)

*H = HEIGHT (DUCT)

*L = LENGTH (SEE CHART)

DAMPER FRAME SHOWN AS DASHED LINES

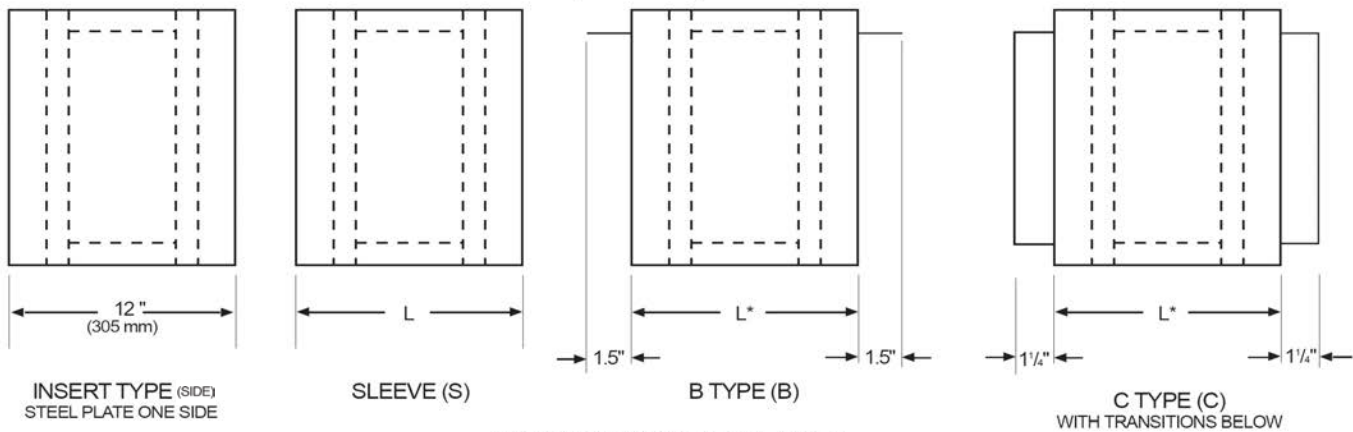
MINIMUM SLEEVE/ ENCLOSURE LENGTH

PRODUCT	MINIMUM LENGTH
F/S-3V-CR.....	10"
S-3V	16"
S-AF.....	16"
F/S-3V	16"
c/w Jackshaft or OVERRIDE RELEASE	
F/S-AF	16"

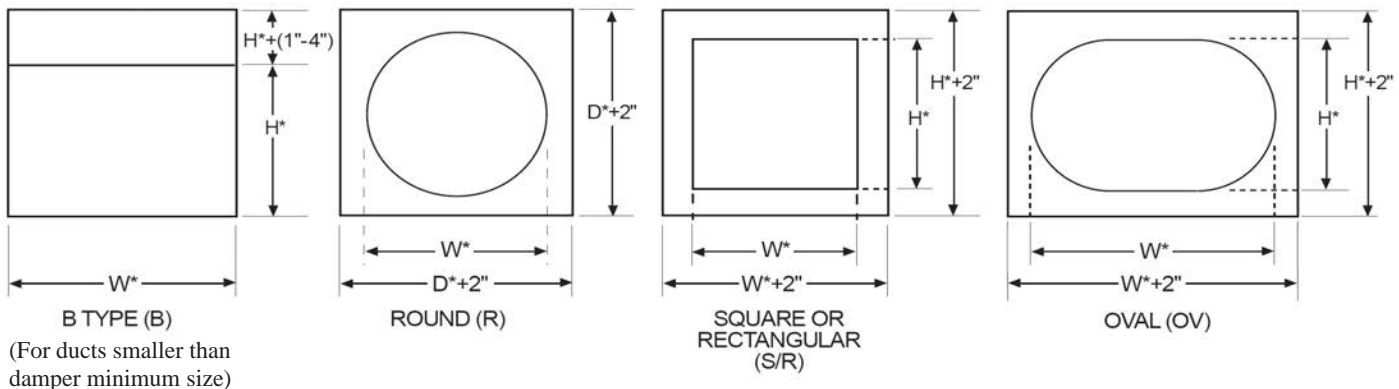
NOTE:

B TYPE TRANSITIONS MAY BE FURNISHED ON DAMPERS LESS THAN 8" IN HEIGHT. TRANSITION USED TO REDUCE MINIMUM DAMPER/SLEEVE HEIGHT OF 8" TO 7", 6", 5" OR 4". (MINIMUM DUCT HEIGHT).

ENCLOSURES (SIDE VIEWS)



TRANSITION COLLARS (FACE VIEWS)



Manufacturer's Recommendations

All moving parts of the damper must be inspected and cycled at intervals not greater than every 12 months or in accordance with the latest edition of NFPA 90A, 92A, local codes and the actuator manufacturer. In addition, fuse links shall be removed and inspected for corrosion. Dry lubricants are recommended.