

BRAZILIAN II SERIES
(vertical blades)

STANDARD CONSTRUCTION:

FRAME:

1-3/4" x 4" x .125" Aluminum Tube (optional tube frames available - consult factory)

BLADES:

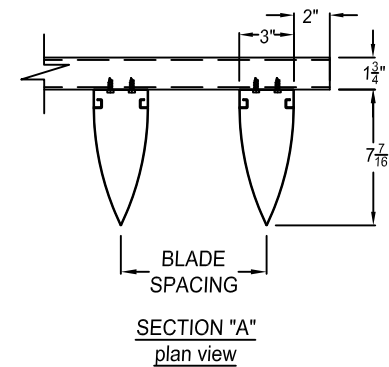
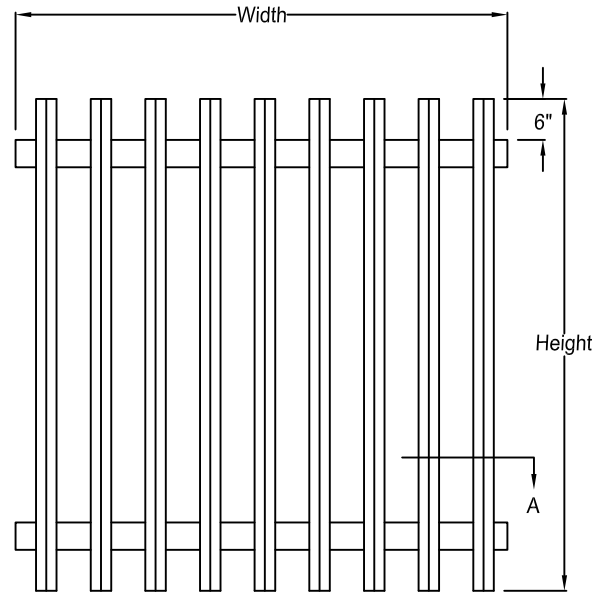
.032" Aluminum, 7-7/16" w x 3" h
with .050" Aluminum End Caps

FINISH:

mill aluminum (std.)

MAXIMUM SIZE:

84"w x 120"h or 120"w x 84"h



OPTIONAL FINISHES:

- Powder Polyester TGIC** (2 coats) baked on at 410°F -2.5 to 3.5 mils Meets AAMA-2603 Standards
 - Powder Super durable polyester** (2 coats) baked on at 410°F -2.5 to 3.5 mils Meets AAMA-2604-05 Standards
 - Acrylic baked enamel** (ACRA-BOND® ULTRA) by AkzoNobel baked on at 350°F -0.8 to 1.2 mils dry Meets AAMA-2603 Standards
 - Kynar®** (ALUM*A*STAR®) 2 coats by AkzoNobel baked on at 450°F -1.2 to 1.6 mils dry Meets AAMA-2604-05 Standards
 - Kynar 500®** or HYLAR® 5000 70% TRINAR® (2 coats) by AkzoNobel baked on at 450°F -1.2 to 1.6 mils dry, Meets AAMA-2605-05 Standards
 - Kynar 500®** or HYLAR® 5000 (70% Tri-Escent II) (2 coats) by AkzoNobel, a superior finish to other metallic or anodized finishes. A blend of mica, ceramic, and inorganic pigments creates subtle yet dazzling design that goes beyond metallic color without the requirement of a clear coat. 14 standard colors - custom colors available. Baked on at 415°F -1.4 to 1.8 mils dry, meets AAMA 2605-05.
 - Clear Anodize Match** (paint meets AAMA 611)
 - Integral Color Anodize Match** (paint meets AAMA 611)
- Clear coat available for all above finishes.
 - Hylar® 5000 is a registered trademark of Solvay Solexis, Inc.
 - Kynar® 500 is a registered trademark of Arkema.
 - ALUM*A*STAR® 50 and TRINAR® are registered trademarks of AkzoNobel
 - ACRA-BOND® ULTRA is a registered trademark of AkzoNobel

3 part specifications - see online at www.unitedenertech.com



Due to continuing research, United Enertech reserves the right to change specifications without notice.

QUANTITY	WIDTH	HEIGHT	BLADE SPACING	TAG



3005 South Hickory Street
Chattanooga, Tennessee 37407
Tel: (423) 698-7715
Fax: (423) 698-6629
www.unitedenertech.com

BRAZILIAN II SERIES (vertical blades)

DRAWN BY: CLJ	DATE: 6-15-10	REV. DATE: 1-11-13	REV. NO. 1	APPROVED BY: BGT	DWG. NO.: C-18
------------------	------------------	-----------------------	---------------	---------------------	--------------------------