

## LOUVERED PENTHOUSE 4" [101mm] ELEVATOR VENT

### STANDARD CONSTRUCTION

#### BLADES:

6063-T6 extruded aluminum with 0.081" [2.06mm] thickness. See dwg. no. A-8 (EL-4) for additional blade details.

#### ROOF:

Fabricated at 0.090" [2.29mm] thickness 3003-H14 formed aluminum, roof is cross broken for adequate element run-off and is attached with sheet metal screws for ease in removal.

#### FRAMING:

1-1/2" x 1-1/2" x 1/8" [38mm X 38mm X 3.18mm] framing angles of 6063-T6 extruded aluminum.

#### SCREEN:

3/4" x 0.051" [19.05mm x 1.30mm] flattened aluminum bird screen

#### PENTHOUSE FINISH:

All aluminum mill finish for low maintenance and resistance to corrosion

#### CURB:

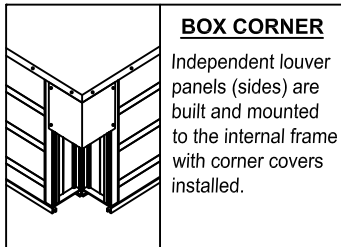
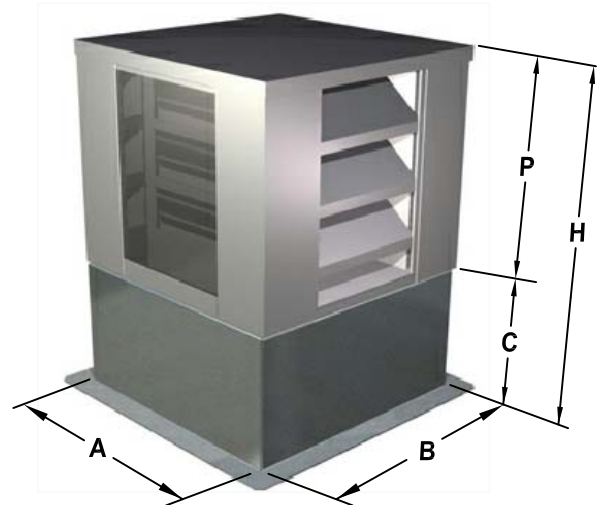
12 ga galvanized steel, 3" [76mm] mounting flange, welded construction mill finish (standard). Other gages and flange widths available, consult factory.

#### BOX CORNER:

0.090" [2.29mm] thickness 3003-H14 formed aluminum

#### GLASS:

0.125" [3.18] annealed (clear)



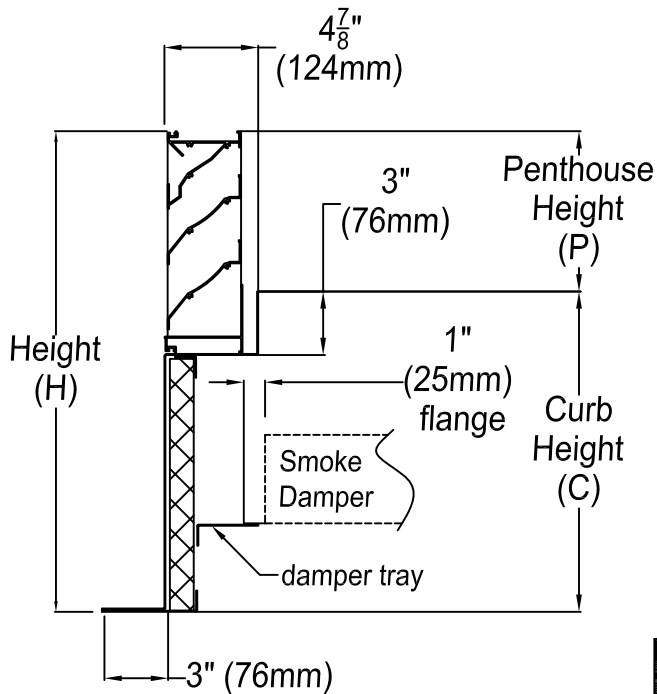
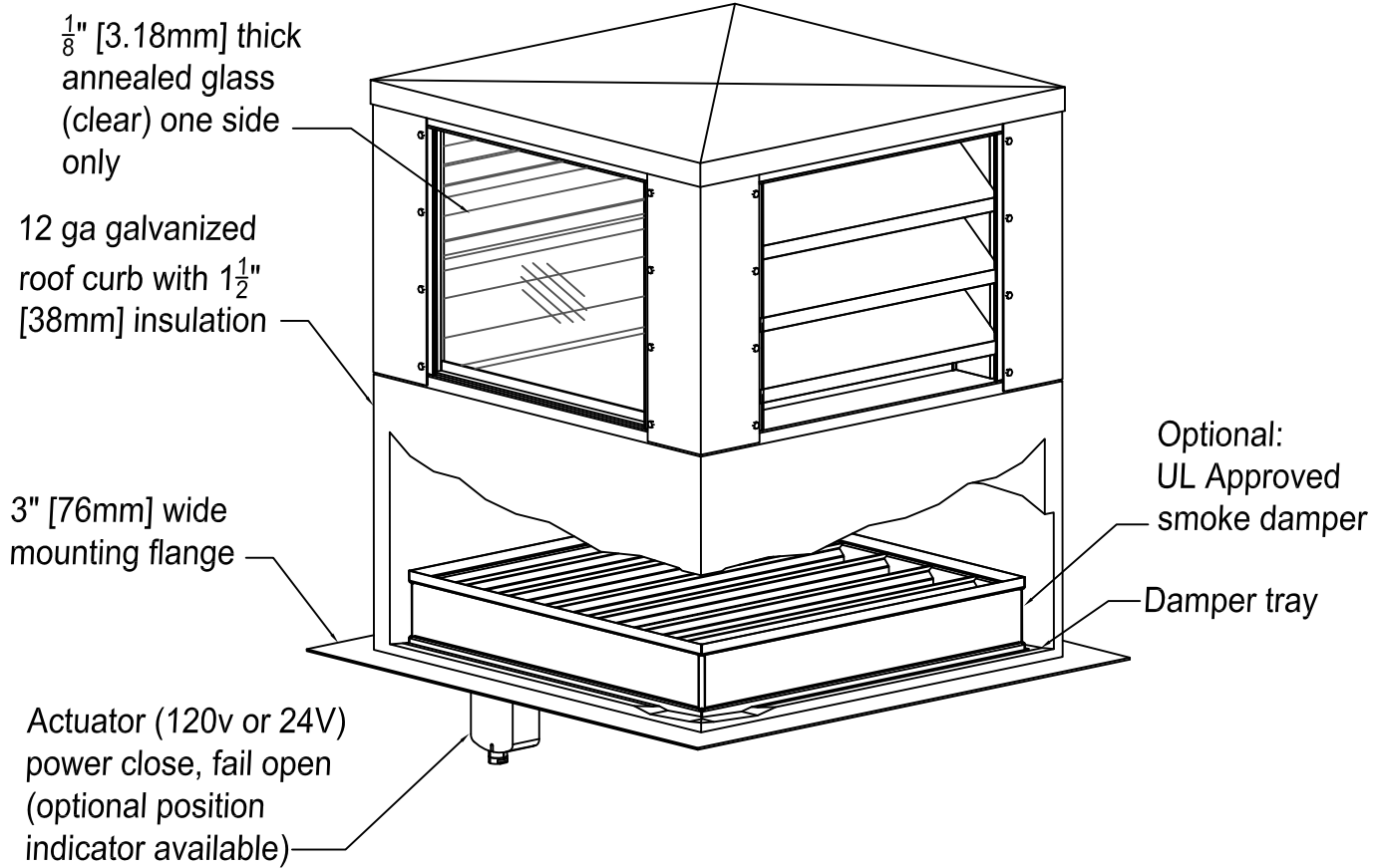
#### OPTIONS:

- Smoke Damper (Model S-3V or S-AF)
  - Class I     Class II
  - position indicator for actuator
- Insect screen (18-16 mesh)
- Other Screens (specify) \_\_\_\_\_
- Special finish \_\_\_\_\_
- Anti-Condensate Coating
- 1" [25.40] Fiberglass Insulation

QTY.	"A" (width)	"B" (length)	"C" (curb height)	"P" (penthouse height)	"H" (Total height)	OPTIONS	TAG

Job Name: Location: Architect: Engineer: Contractor:	<input type="checkbox"/> <b>MODEL PEL-4EV</b> <table border="1" style="width: 100%; border-collapse: collapse;"> <tr> <td style="width: 25%;">DRAWN BY: CLJ</td> <td style="width: 25%;">DATE: 5-4-09</td> <td style="width: 25%;">REV. DATE: 3-27-13</td> </tr> <tr> <td>REV. NO. 5</td> <td>APPROVED BY: BGT</td> <td>DWG. NO.: <b>B-8</b></td> </tr> </table>	DRAWN BY: CLJ	DATE: 5-4-09	REV. DATE: 3-27-13	REV. NO. 5	APPROVED BY: BGT	DWG. NO.: <b>B-8</b>
DRAWN BY: CLJ	DATE: 5-4-09	REV. DATE: 3-27-13					
REV. NO. 5	APPROVED BY: BGT	DWG. NO.: <b>B-8</b>					

# Model PEL-4EV Details



Section View



3005 S. Hickory St  
 Chattanooga, TN  
 37407 (423) 698-7715  
 FAX (423) 698-6629  
[www.unitedenertech.com](http://www.unitedenertech.com)