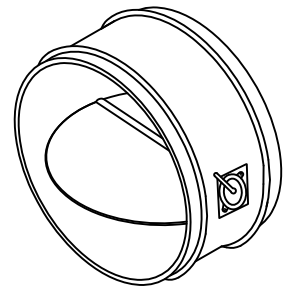
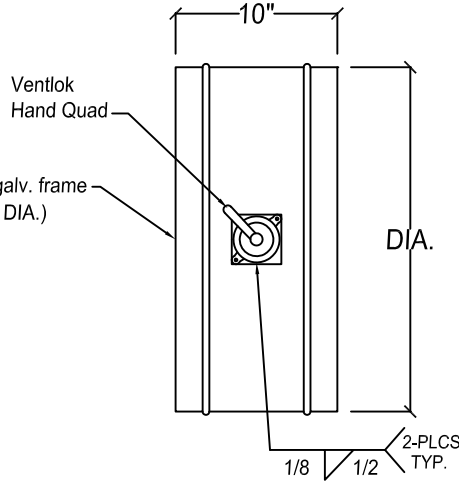
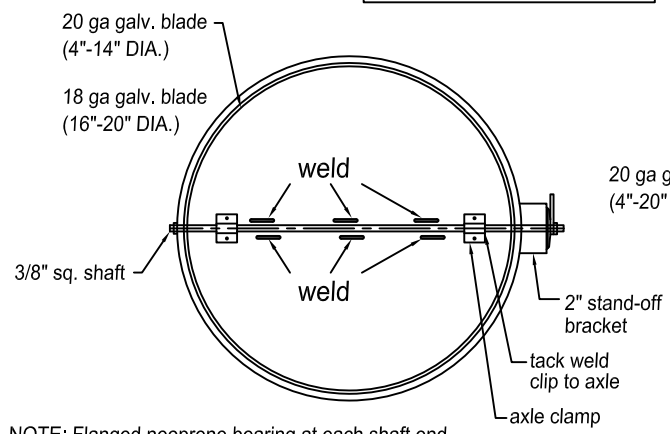


MODEL RD-WM

The Model RD-WM is a G-90 steel damper with factory mounted heavy duty locking hand quadrant designed especially for manual balancing applications. It is easy to install, seal, and becomes part of the duct work.



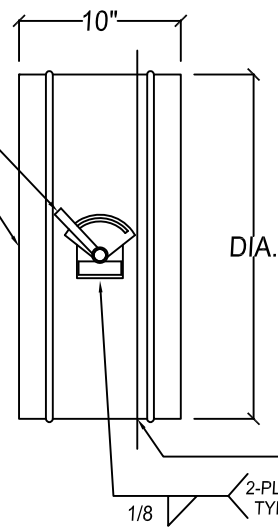
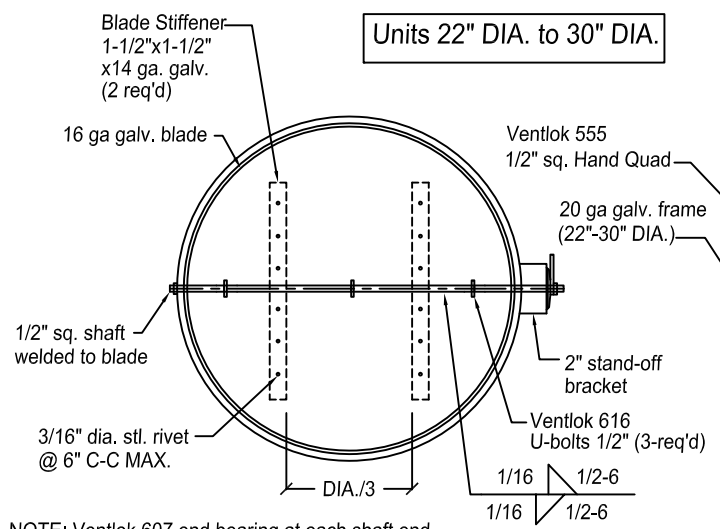
Units 4" DIA. to 20" DIA.



NOTE: Flanged neoprene bearing at each shaft end.

Approximately .125" undersized

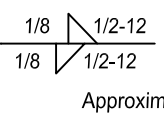
Units 22" DIA. to 30" DIA.



NOTE: Ventlok 607 end bearing at each shaft end.

Units 32" DIA. to 40" DIA.
 (UPGRADE)

- Frame- 16 ga galvanized steel
- Blades- 10 ga galvanized steel (stiffened as req'd)
- Axles- 3/4" dia. plated steel (full length)
- Hand Quad- 3/4" dia. extended 2" with locking quad
- Bearing- 3/4" stainless steel sleeve



Approximately .125" undersized

Job Name:	<input type="checkbox"/> MODEL RD-WM Maximum Velocity: 2400 FPM		
Location:	see dwg. B-8 for performance data		
Architect:	DRAWN BY:	DATE:	REV. DATE:
Engineer:	CLJ	11-24-03	1-14-11
Contractor:	REV. NO.	APPROVED BY:	DWG. NO.:
	6	BGT	B-4