

HIGH PERFORMANCE PENTHOUSE 5" [127mm]

STANDARD CONSTRUCTION

FRAME:

0.081" [2.06mm] Extruded Aluminum 5" [127mm] Deep. Corners will be "box".

BLADES:

6063-T6 extruded aluminum with 0.081" [2.06mm] thickness. All units incorporate hidden mullions at 60" [1524mm] centers for blade support.

ROOF:

Fabricated at 0.050" [1.27mm] thickness 3003-H14 formed aluminum, roof is secured with sheet metal screws for ease in removal. Flat roof models are cross-broken for adequate element run-off; models with pitched roofs have a 1" in 12" or 3" in 12" [25.40mm in 305mm or 76mm in 305mm] pitch.

INTERNAL FRAMING:

1-1/2" x 1-1/2" x 1/8" [38mm X 38mm X 3.18mm] framing angles of 6063-T6 extruded aluminum on 48" [1219mm] maximum centers.

SCREEN:

3/4" x 0.051" [19mm X 1.30mm] flattened aluminum bird screen

FINISH:

Aluminum mill finish for low maintenance and resistance to corrosion

SIZING:

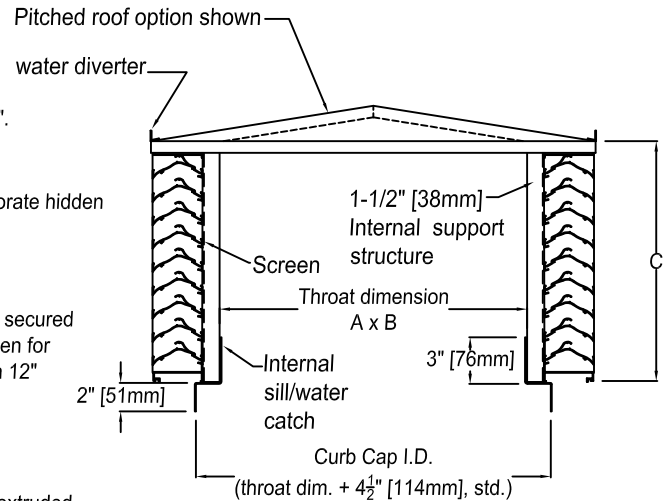
Order size is actual throat dimensions. Throat is undercut 1/4" [6.35mm] in both "A" and "B" dimensions for installation allowance.

12"w X 12"L X 12"h [305mm x 305mm x 305mm] is the minimum size. Maximum preassembled size: 72"w X 220"L X 80"h [1829mm x 5588mm x 2032mm] Unlimited Size with multiple section assembly.

NOTE:

Louvered Penthouses are reasonably weather tight. However, they are not recommended for use where airborne water droplets from storms or high winds may damage the interior of the building. Provisions should always be made for potential wind driven rain or snow carry over because air can pass completely through a Louvered Penthouse.

For performance data see Louver Model SED-5.1 (dwg. no. A-19)



OPTIONS:

- Pitched roof with gable ends, Pitched _____" per foot
- Hinged Roof (maximum size: 60" x 60" [1524mm x 1524mm])
- Insect screen (18-16 mesh)
- Other Screens (specify) _____
- Special finish _____
- Roof Curb (see curb drawing)
- Filter Racks
- Blank-off Panels
- Anti-Condensate Coating
- 1" [25.40mm] Fiberglass Insulation
- 120 MPH [193km/h] Construction
 - 1/4" [6.35mm] Internal Framing
 - Welded Louver Construction
 - Tie Downs

QTY.	ROOF (FLAT OR PITCHED)	"A" (width)	"B" (length)	"C" (height)	OPTIONS / ACCESSORIES / VARIATIONS

Job Name:	<input type="checkbox"/> MODEL PSED-5.1						
Location:							
Architect:							
Engineer:							
Contractor:	<table border="1" style="width: 100%;"> <tr> <td>DRAWN BY: SRB</td> <td>DATE: 8-2-06</td> <td>REV. DATE: 3-27-13</td> </tr> <tr> <td>REV. NO. 13</td> <td>APPROVED BY: BGT</td> <td>DWG. NO.: B-4</td> </tr> </table>	DRAWN BY: SRB	DATE: 8-2-06	REV. DATE: 3-27-13	REV. NO. 13	APPROVED BY: BGT	DWG. NO.: B-4
DRAWN BY: SRB	DATE: 8-2-06	REV. DATE: 3-27-13					
REV. NO. 13	APPROVED BY: BGT	DWG. NO.: B-4					