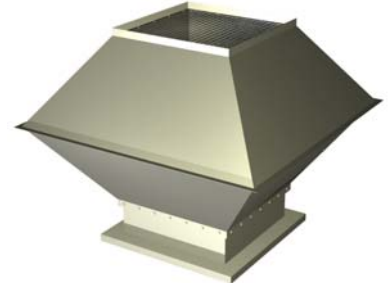


Application and Design

Model VW-10 Exhaust Cap has been designed for a high rate of discharge air to allow mixing with surrounding air. It is especially applicable for containimated air or light dust approved by local codes. No maintenance required.

99.9% water resistant under normal weather conditions

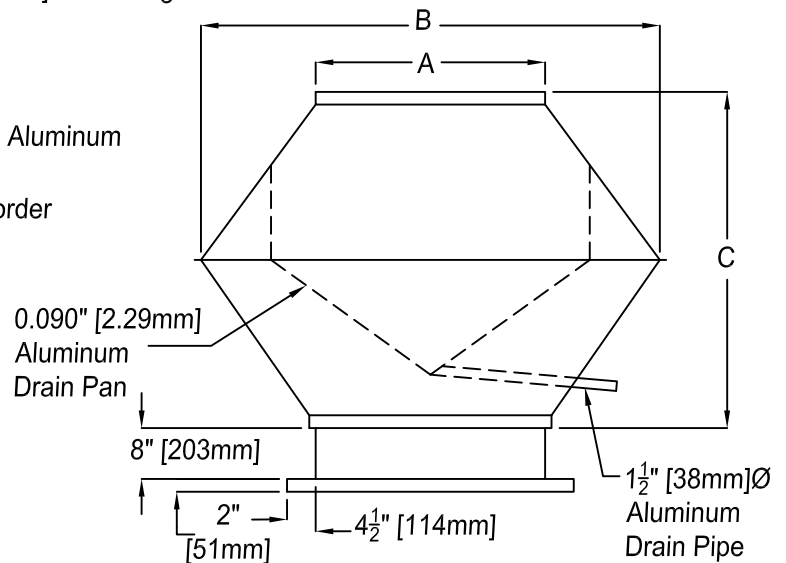


STANDARD CONSTRUCTION:

- Exterior Housing:** 0.090" [2.29mm] Aluminum
- Curb Base:** 0.125" [3.18mm] Aluminum
- Drain Pan:** 0.090" [2.29mm] Aluminum
- Stiffeners:** 1-1/2" x 1-1/2" x 1/8" [38mm x 38mm x 3.18mm] Alum. Angles
 (Sizes 14" [356mm] thru 34" [864mm])
 2" x 2" x 1/4" [51mm x 51mm x 6.35mm] Alum. Angles
 (Sizes 36" [914mm] thru 52" [1320mm])
- Screen:** 0.75" x 0.051" [19.05mm x 1.30mm] Flattened Aluminum
- Sealant:** Silicone
- Finish:** Manufacturer's choice of Light Gray at time of order

OPTIONS:

- Anchoring Lugs for Field Guy Wires (if high winds are applicable)
- Lifting Lugs, for safe transportation to roof.
- Acrylic Latex Sealant (Non-Silicone)
- Standard Powder Coated Color Finish (See Color Chart)
- Custom Color Finish
- Insect Screen (Other Screens Available, see screen page)



Stack Cap Dimensions Standard		
A	B	C
(In. x In)	(In.)	(In.)
10 x 10	20	14
14 x 14	28	19
16 x 16	32	22
28 x 28	56	41
34 x 34	68	49.5
36 x 36	72	52.75
40 x 40	80	58.5
44 x 44	88	59.5
48 x 48	96	70.25
52 x 52	104	75.75

Stack Cap Dimensions Metric		
A	B	C
(mm. x mm)	(mm)	(mm)
254 x 254	508	356
356 x 356	711	483
406 x 406	813	559
711 x 711	1422	1041
864 x 864	1727	1257
914 x 914	1829	1340
1016 x 1016	2032	1486
1118 x 1118	2235	1511
1219 x 1219	2438	1784
1321 x 1321	2642	1924

Qty.	A" x A"	Options	Tag

Job Name:	<input type="checkbox"/> MODEL VW-10		
Location:	DRAWN BY: CLJ		
Architect:	DATE: 6-2-10	REV. DATE: 9-10-13	
Engineer:	REV. NO. 4	APPROVED BY: MD	DWG. NO.: B-17
Contractor:			

SUGGESTED SPECIFICATION

Furnish and install Exhaust Caps as hereinafter specified where shown on plans or as described in schedules. Exhaust Caps shall be specifically designed for high velocity, low pressure drop output to allow for dust and deleterious substances to be blown out as far as possible into a free area to mix with the surrounding air. The exhaust heads shall be per United Enertech VW-10 design and size. The material construction shall be heavy .090" thick aluminum shell with reinforced aluminum angle (sizing depends on Exhaust cap size). Pressure drop shall be less than .39" wg at 2000 fpm. Internal drain pans are to be incorporated to remove penetrating rain when the airflow is turned off. The drain pans are to drain to the exterior of the unit. Provisions such as lifting lugs shall be provided to assist safe installation. Guy wires shall be provided on units that are located in areas where high winds are prevalent. Finish shall be mill finish unless otherwise stated.

PERFORMANCE DATA

EXHAUST PRESSURE DROP

