

3005 South Hickory Street
 Chattanooga, Tennessee 37407
 Tel: (423) 698-7715
 Fax: (423) 698-6629
 www.unitedenertech.com

DRAWN BY:
 CLJ

DATE:
 3-28-12

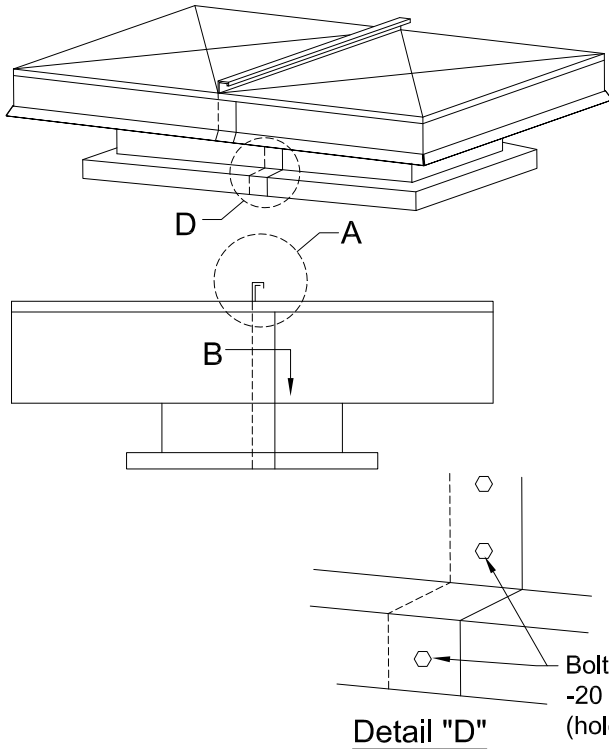
REV. DATE:

REV. NO.

APPROVED BY:
 CLJ

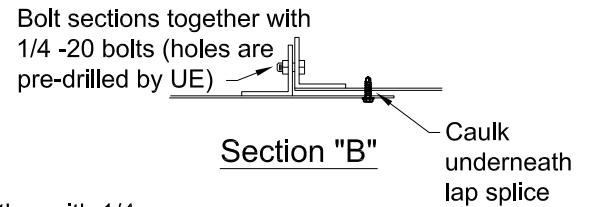
DWG. NO.:
B-14a

Multi-section with Flat (crossbroken) Roof



- (3) Apply sheet metal screws to standing seam
- (5) Caulk the ends of standing seams
- (1) Remove screws from overlapping roof panel to allow the next panel to slide under easily.
- (2) Replace perimeter screws once all panels are in place.
- (4) Apply sheet metal screws to lap splice (caulk underneath first).

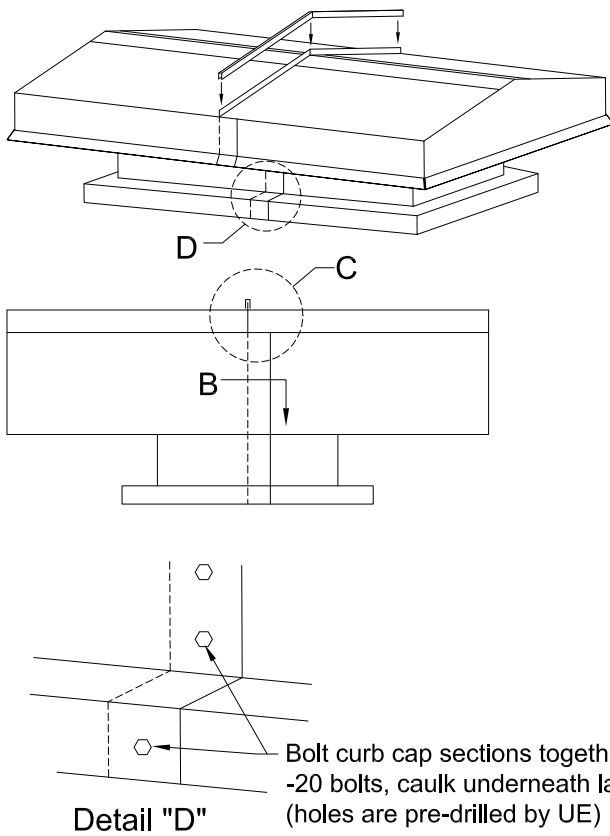
Detail "A"



Detail "D"

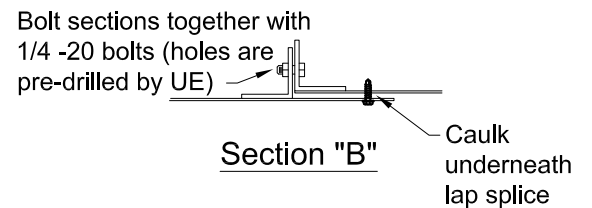
Bolt curb cap sections together with 1/4 -20 bolts, caulk underneath lap splice (holes are pre-drilled by UE)

Multi-section with Pitched Roof



- (1) Place cap over standing seam of each panel, then apply sheet metal screws through cap and standing seams.
- (3) Caulk the ends of standing seams
- (2) Apply sheet metal screws to lap splice (caulk underneath first).

Detail "C"



Detail "D"

Bolt curb cap sections together with 1/4 -20 bolts, caulk underneath lap splice (holes are pre-drilled by UE)



3005 South Hickory Street
 Chattanooga, Tennessee 37407
 Tel: (423) 698-7715
 Fax: (423) 698-6629
 www.unitedenertech.com

DRAWN BY:

CLJ

REV. NO.

DATE:

3-29-12

APPROVED BY:

CLJ

REV. DATE:

DWG. NO.:

B-14b