

**MANUAL DAMPERS**

The Model ED-I is an ideal manual balancing damper, with the added ability of complete shut off for control. For use in up to 12" round.



MODEL ED-I

**STANDARD CONSTRUCTION:**

**FRAME:**

24 ga. thru 10"  
 20 ga. thru 12"

**BLADE:**

24 ga. thru 10"  
 20 ga. thru 12"

**GASKET:**

Foam

**HAND QUADRANT:**

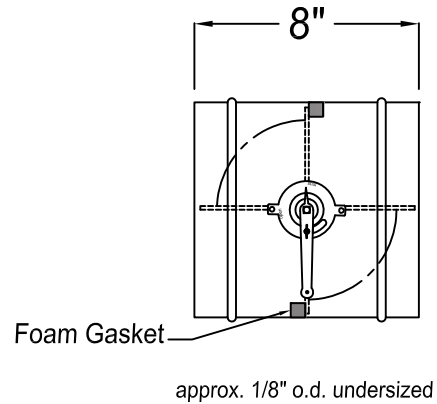
1/4" square axle

**FINISH:**

Galvanized

**MAXIMUM VELOCITY:**

1400 FPM



Job Name:	<input type="checkbox"/> <b>MODEL ED-I</b> (see Dwg. B-8 for performance data)		
Location:			
Architect:			
Engineer:	DRAWN BY: CLJ	DATE: 09-27-07	REV. DATE: 10-8-10
Contractor:	REV. NO. 4	APPROVED BY: BGT	DWG. NO.: <b>B-1</b>