



MODEL F/S-3V-OW-I

OUTSIDE WALL COMBINATION FIRE/SMOKE DAMPER

U.L. 555 AND U.L.C. S112 LISTED 1-1/2 HOUR RATED

U.L. 555S AND U.L.C. S112.1 LISTED CLASS I LEAKAGE

UL File No.
R25410

Standard Construction:

- Frame:** Roll-formed galvanized steel hat-section with staked corners with integral bracing.
- Blades:** 16ga. Roll-formed galvanized steel.
Minimum width: 4.250" (108mm)
Maximum width: 7.250" (184mm)
- Bearings:** Bronze Oilite, press-fit into frame.
- Axles:** Square, plated steel.
- Seals:** Pressure sensitive 450° F silicone blade edge seals and flexible metal jamb seals.
- Linkage:** Concealed in frame. Linkage bars are .125" (3.2mm) thick plated steel.
- Sleeve:** Galvanized, wrapped in thermal blanket.
(Vert. Typ. 3 sides) 16", 20 std
- Controlled Closure Device:** (Heat Activated)
EFL - 165° F Standard, 212°, 250°, 350° F available
PFL - 165° F Standard, 212° F available
- Finish:** Mill galvanized.
- Maximum Velocity:** 2000 fpm (10.2 m/s) on all sizes
- Maximum Pressure:** 4" wg (1kPa)

Note: Due to continuing research, UE reserves the right to change specifications without notice.

U.L. 555S CLASSIFIED
AT 250 °F OR 350 °F
DEPENDING UPON
MOTOR/OPERATOR
*SEE MOTOR/OPERATOR SCHEDULE



Sizes:

- Minimum Size:** 14"w x 10"h (355mm x 254mm)
- Max - Single Section:** 36"w x 48"h (914mm x 1219mm)
- Max - Multi Section:** 42"w x 48"h (1067mm x 1219mm)

Features:

- The F/S-3V-OW-I series Combination Fire/Smoke Dampers have been designed and tested to exceed all U.L., U.L.C. and N.F.P.A. requirements for fire dampers as well as smoke dampers.
- F/S-3V-OW-I is U.L. 555 and U.L.C. S112 listed and labeled as a 1-1/2 hour fire damper.
- U.L. and U.L.C. listed for both vertical and horizontal mountings.
- U.L. 555S / U.L.C. S112.1 listed and labeled as a Leakage Class I rated Smoke Damper with airflow in both directions. Class I provides for a maximum leakage of 8 cfm per sq. ft. at 4.0 inches static pressure.

Not recommended with blades running vertically.

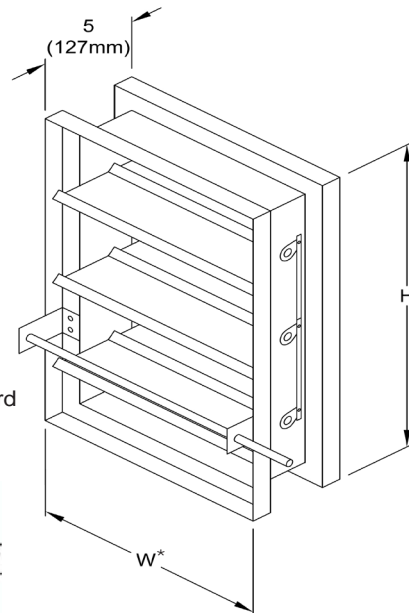
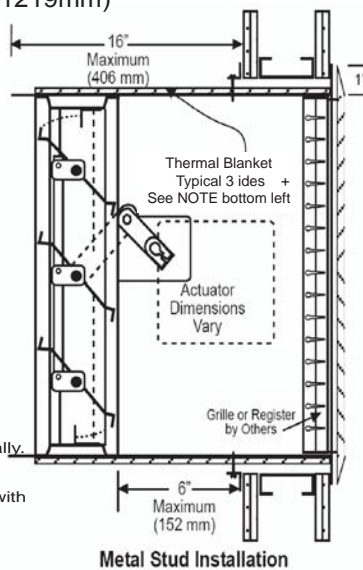
*It is recommended the damper must be inspected and cycled at intervals not greater than every twelve months or in accordance with NFPA 80, 90A, 92A, local codes and the actuator manufacturer.

+ Typical 4 sides when mounted horizontally

Suggested Specification

Combination Fire/Smoke Dampers shall be Model: F/S-3V-OW-I, by United Enertech. Fire/Smoke Dampers shall bear the Underwriters' Laboratories labels for both Fire Dampers and Smoke Dampers. Each damper shall be UL/ULC qualified for mounting outside of the plane of the wall to allow "through the grille" access to actuator and controls. U.L. 555S / U.L.C. S112.1 rating shall be Class I with leakage not to exceed 8 cfm per sq. ft. at 4.0 inches static pressure for any size. Linkage shall be of the concealed type for maximum free area.

Actuator mounted internal as standard



* Wall opening must be oversized by 3/4" (19mm) to accommodate thermal blanket thickness.

Face flange shipped loose if external actuator

Options:

- Factory sleeves _____ Ga, (20 Ga minimum)
Length _____ (min. 16")
(16" X 20 ga. side plate provided if no sleeve is indicated)
- Retaining Angles One Side
- Transitions Round Oval
- Actuator Electric, _____ VAC (Voltage) Pneumatic. 25 psi
- Mounting Orientation Horizontal Vertical
- Smoke Detector Ionization Photoelectric
- DTO/RE w/ MS Package
- Micro-Switch Package
- RCB-1, -2, -3

| | | | |
|-------------|--|---------------------|-------------------------|
| Name: | <input type="checkbox"/> MODEL F/S-3V-OW-I (1-1/2 hour) | | |
| Location: | | | |
| Architect: | | | |
| Engineer: | DRAWN BY: MAB | DATE: 11-13-07 | REV. DATE: 10-29-08 |
| Contractor: | REV. NO. 5 | APPROVED BY: SDC | DWG. NO.: B-9 |