



MODEL F/S-RD-II TRUE ROUND COMBINATION FIRE/SMOKE DAMPER

UL File No. R25410

U.L. 555 and U.L.C. S112 Listed 1-1/2 Hour Rated
U.L. 555S and U.L.C. S112.1 Listed Class 2 Leakage

Standard Construction:

Frame: Roll-formed galvanized steel, 16" (406 mm) long, integral sleeve.

Blades: Double thickness galvanized steel, 14 ga. equivalent with welded channel re-inforcement.

Bearings: Bronze Oilite press-fit into frame.

Axles: 3/8" (9.5 mm) square plated steel.

Linkage: 1/2" (12.7 mm) diameter plated steel.

Seals: Preassure sensitive 450 °F silicone sandwiched between blades.

Linkage: Jackshaft to blade.

Controlled Closure Devices: (Heat Activated)
EFL - 165 °F Standard, 212, 250, 350 °F available
PFL - 165 °F Standard, 212 °F available

Finish: Mill galvanized.

Retaining Plates: (2) 20 ga. galvanized steel complete with angle clips.

Maximum Velocity: 2000 fpm (10.2 m/s) on all sizes

Maximum Pressure: 4" wg (1kPa)

Sizes:

Minimum Sizes: 8" (203 mm) diameter

Maximum Sizes: 24" (610mm) diameter

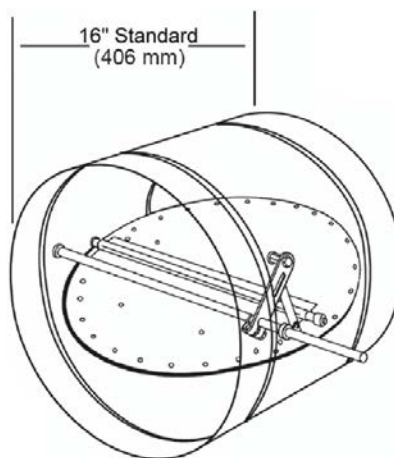
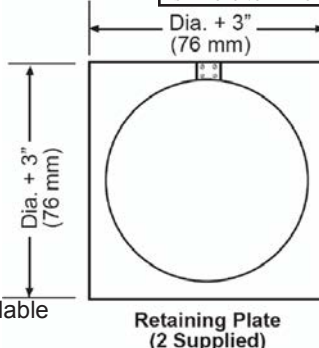
Transitions can be added to the ends of the damper to accept ductwork down to 4" in diameter.

Note:

- Retaining plate on operator side of damper is installed at the factory.
- Dampers are furnished approximately 1/8" (3.2 mm) smaller than given duct dimensions.

*It is recommended the damper must be inspected and cycled at intervals not greater than every twelve months or in accordance with NFPA 80, 90A, 92A, local codes and the actuator manufacturer.

U.L. 555S CLASSIFIED AT 250 °F OR 350 °F DEPENDING UPON MOTOR/OPERATOR *SEE MOTOR/OPERATOR SCHEDULE



Features

- The F/S-RD-II series Combination Fire/Smoke Dampers have been designed and tested to exceed all U.L., U.L.C. and N.F.P.A. requirements for fire dampers as well as smoke dampers. They are intended for use where building codes call for a fire damper to also operate as a smoke damper.
- U.L. 555 and U.L.C S112 listed and labelled as a 1-1/2 hour fire damper.
- U.L. and U.L.C. listed for vertical and horizontal mountings.
- U.L 555S / U.L.C. S112.1 listed and labeled as a Leakage Class II rated Smoke Damper with airflow in both directions. Class II provides for a maximum leakage of 20 cfm per sq. ft at 4.0 inches static pressure. As we are constantly expanding our U.L./U.L.C. listings, we suggest you contact the factory for current information.

Options:

- 20" Sleeve/body
- 24" Sleeve/body
- Actuator
 - Electric, _____ VAC Voltage
 - Pneumatic, 25 PSI
- Smoke Detector*
 - Ionization
 - Photoelectric
- *Must have 24" Sleeve
- DTO/RE w/ MS Package
- Micro-Switch Package
- RCB-1, -2, -3

SUGGESTED SPECIFICATIONS:

Combination Fire/Smoke Dampers shall be Model: F/S-RD-II by United Enertech. Fire/Smoke Dampers shall bear the Underwriter Laboratories labels for both Fire Dampers and Smoke Dampers. U.L. 555S / U.L.C. S112.1 rating shall be Class II with Leakage in cfm per sq. ft. not to exceed 20 cfm per sq. ft. at 4.0 inches static pressure for any size.

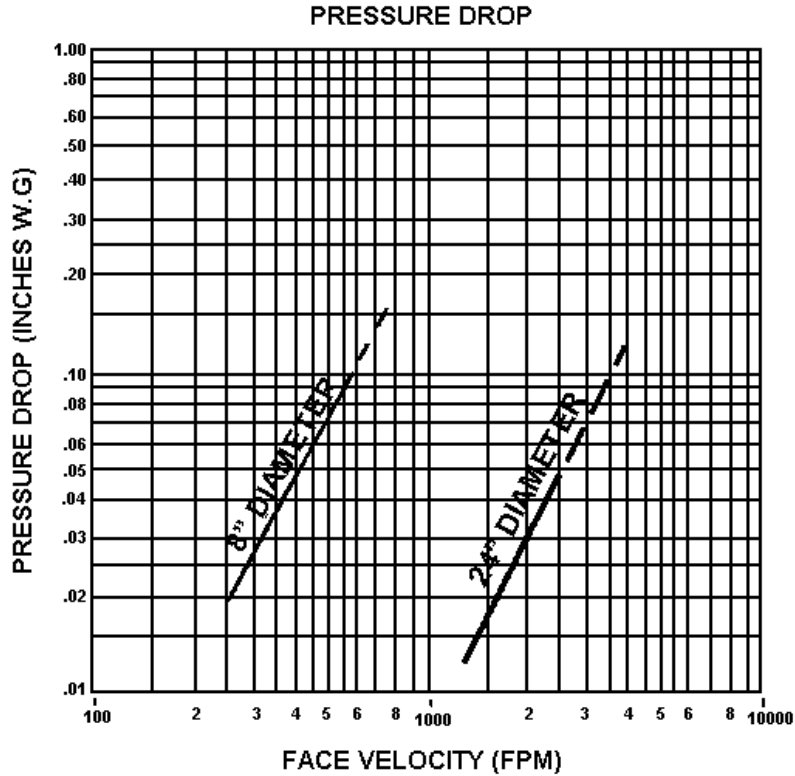
Name:	<input type="checkbox"/> MODEL F/S-RD-II (1-1/2 hour)		
Location:			
Architect:			
Engineer:	DRAWN BY: MAB	DATE: 11-13-07	REV. DATE: 9-12-11
Contractor:	REV. NO. 4	APPROVED BY: SDC	DWG. NO.: B-6



**MODEL F/S-RD-II TRUE ROUND
COMBINATION FIRE / SMOKE DAMPER
U.L. 555 AND U.L.C. S112 LISTED 1-1/2 HOUR RATED
U.L. 555S AND U.L.C. S112.1 LISTED CLASS II LEAKAGE**

PERFORMANCE DATA

Pressure drop testing was done by an independent laboratory to AMCA Standard 500-D, Fig. 5.3 ductwork upstream & downstream.



LEAKAGE OBTAINED IN TEST OF 8" DIAMETER AND 24" DIAMETER
WAS LESS THAN 1 CFM/SQ. FT.