



MODEL F/S-RD-I TRUE ROUND COMBINATION FIRE/SMOKE DAMPER

U.L. 555 AND U.L. 555S CLASSIFIED 1-1/2 HOUR

U.L. 555S and U.L.C. S112.1 Listed CLASS I Leakage

LOW PRESSURE DROP AIRFOIL BLADE PER AMCA STANDARD 500-D

UL File No.
R25410

Standard Construction:

Frame: Roll-formed galvanized steel, 16" (406 mm) long, integral sleeve.

Blades: Double thickness galvanized steel, 14 ga. equivalent with welded channel re-inforcement.

Bearings: Bronze Oilite press-fit into frame.

Axles: 3/8" (9.5 mm) square plated steel.

Seals: Pressure sensitive 450 °F silicone sandwiched between blades.

Linkage: Jackshaft to blade.

Controlled Closure Devices: (Heat Activated)
EFL - 165 °F Standard, 212, 250, 350 °F
PFL - 165 °F Standard, 212 °F available

Finish: Mill galvanized.

Retaining Plates: (2) 20 ga. galvanized steel complete with angle clips.

Maximum Velocity: 2000 fpm (10.2 m/s) on all sizes

Maximum Pressure: 4" wg (1kPa)

Sizes:

Minimum Sizes: 8" (203 mm) diameter

Maximum Size: 24" (610mm) diameter

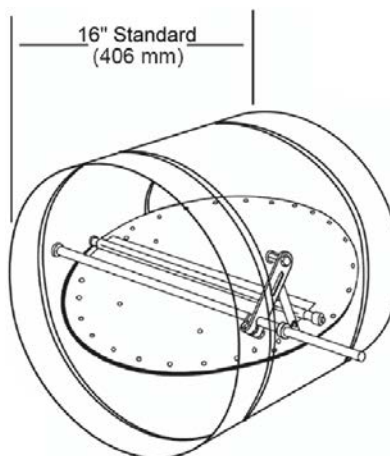
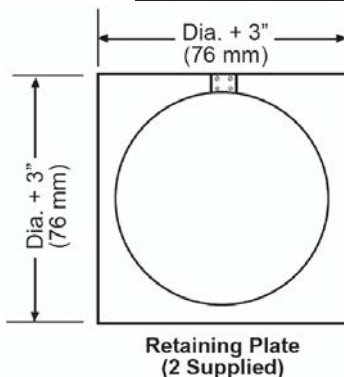
Transitions can be added to the ends of the damper to accept ductwork down to 4" in diameter.

Note:

- Retaining plate on operator side of damper is installed at the factory.
- Dampers are furnished approximately 1/8" (3.2 mm) smaller then given duct dimensions.

*It is recommended the damper must be inspected and cycled at intervals not greater than every twelve months or in accordance with NFPA 80, 90A, 92A, local codes and the actuator manufacturer.

U.L. 555S CLASSIFIED AT 250 °F OR 350 °F DEPENDING UPON MOTOR/OPERATOR *SEE MOTOR/OPERATOR SCHEDULE



Features

- The F/S-RD-I series Combination Fire/Smoke Dampers have been designed and tested to exceed all U.L, U.L.C. and N.F.P.A. requirements for fire dampers as well as smoke dampers. They are intended for use where building codes call for a fire damper to also operate as a smoke damper.
- U.L. 555 and U.L.C S112 listed and labelled as a 1-1/2 hour fire damper.
- U.L. and U.L.C. listed for vertical and horizontal mountings.
- U.L 555S / U.L.C. S112.1 listed and labeled as a Leakage Class I rated Smoke Damper with airflow in both directions. Class I provides for a maximum leakage of 8 cfm per sq. ft at 4.0 inches static pressure. As we are constantly expanding our U.L./U.L.C. listings, we suggest you contact the factory for current information.

Options:

- 20" Sleeve/body
- 24" Sleeve/body
- Actuator
 - Electric _____ VAC
 - Pneumatic, 25 PSI
- Smoke Detector*
 - Ionization
 - Photoelectric
- *Must have 24" Sleeve
- DTO/RE w/ MS Package
- Micro-Switch Package
- RCB-1, -2, -3

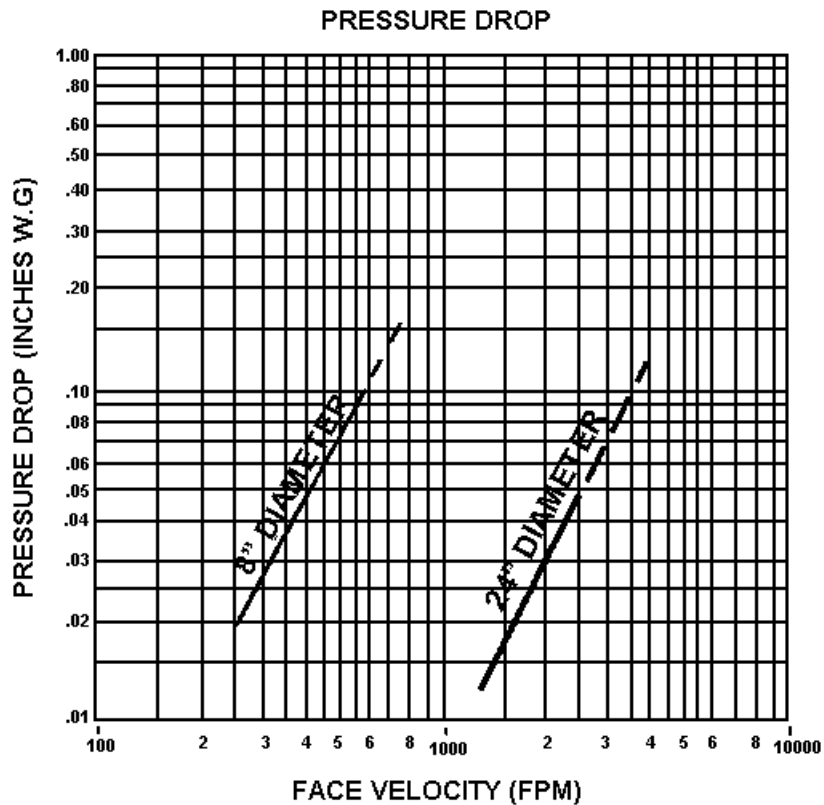
SUGGESTED SPECIFICATIONS:

Combination Fire/Smoke Dampers shall be Model: F/S-RD-I by United Enertech. Fire/Smoke Dampers shall bear the Underwriter Laboratories labels for both Fire Dampers and Smoke Dampers. U.L. 555S / U.L.C. S112.1 rating shall be Class I with Leakage in cfm per sq. ft. not to exceed 8 cfm per sq. ft. at 4.0 inches static pressure for any size.

Name:	<input type="checkbox"/> MODEL F/S-RD-I (1-1/2 hour)		
Location:			
Architect:			
Engineer:	DRAWN BY: MAB	DATE: 11-13-07	REV. DATE: 9-12-11
Contractor:	REV. NO. 5	APPROVED BY: SDC	DWG. NO.: B-5

PERFORMANCE DATA

Pressure drop testing was done by an independent laboratory to AMCA Standard 500-D, Fig. 5.3 ductwork upstream & downstream.



LEAKAGE OBTAINED IN TEST OF 8" DIAMETER AND 24" DIAMETER
WAS LESS THAN 1 CFM/SQ. FT.