



MODEL F/S-3V-CR-II

COMBINATION FIRE/SMOKE CORRIDOR DAMPER

U.L. 555 CLASSIFIED 1 HOUR / U.L. 555S CLASSIFIED CLASS II

UL File No.
R25410

Standard Construction:

Frame: Roll-formed galvanized steel hat-section with staked corners with integral bracing.

Blades: 16ga. Roll-formed galvanized steel.
Minimum width: 4.250" (108mm)
Maximum width: 7.250" (184mm)

Bearings: Bronze Oilite, press-fit into frame.

Axles: Square, plated steel.

Seals: Pressure sensitive 450° F silicone blade edge seals and flexible metal jamb seals.

Linkage: Concealed in frame.
Linkage bars are .125" (3.2mm) thick plated steel.

Controlled Closure Device: (Heat Activated)
EFL - 165° F Standard, 212°, 250°, 350° F available
PFL - 165° F Standard, 212° F available

Finish: Mill galvanized.

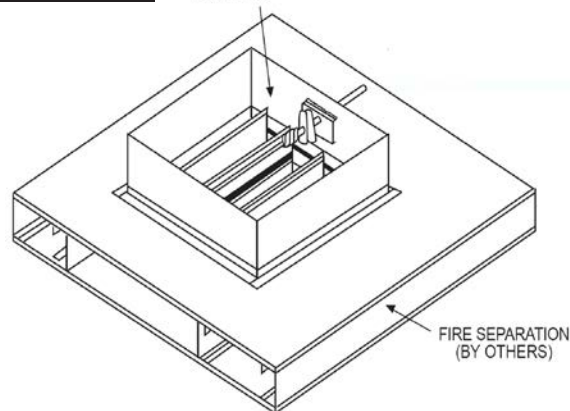
Maximum Velocity: 2000 fpm (10.2 m/s) on sizes

Maximum Pressure: 4" wg (1kPa)

Note: Due to continuing research, UE reserves the right to change specifications without notice.

U.L. 555S CLASSIFIED
AT 250 °F OR 350 °F
DEPENDING UPON
MOTOR/OPERATOR
*SEE MOTOR/OPERATOR SCHEDULE

F/S-3V-CR-1
IN SLEEVE



Sizes:

Minimum Size: 6"w x 6"h (152mm x 152mm)

Max - Single Section: 24"w x 24"h (610mm x 610mm)

Features:

- The F/S-3V-CR-II series Combination Fire/Smoke Dampers have been designed and tested to exceed all U.L., and N.F.P.A. requirements for fire dampers as well as smoke dampers.
- F/S-3V-CR-II is U.L. 555 listed and labeled as a 1-1/2 hour fire damper.
- U.L. and U.L.C. listed for both vertical and horizontal mountings.
- U.L. 555S listed and labeled as a Leakage Class II rated Smoke Damper with airflow in both directions. Class II provides for a maximum leakage of 20 cfm per sq. ft. at 4.0 inches static pressure.

Notes:

Sleeved dampers are furnished approx. same size as given duct dimension, unless otherwise noted.

Options:

- Factory sleeves _____ Ga (20 Ga Std.)
Length _____ (min. 16")
- Retaining Angles
 - One Side
 - Both Sides
- Transitions
 - Round
 - Oval
- Actuator
 - Electric, _____ VAC (Voltage)
 - Pneumatic, 25 psi
- Smoke Detector
 - Ionization
 - Photoelectric
- DTO/RE w/ MS Package
- Micro-Switch Package
- RCB-1, -2, -3

Suggested Specification

Corridor Fire/Smoke Dampers shall be Model: F/S-3V-CR-II, by United Enertech. Corridor Dampers shall bear the Underwriters' Laboratories label for "Corridor Damper" and have a minimum 1 hour fire rating and a minimum Class II leakage rating with a maximum leakage not exceed 20 cfm per sq. ft. at 4.0 inches static pressure for any size. Linkage shall be of the concealed type for maximum free area.

Name:	<input type="checkbox"/> MODEL F/S-3V-CR-II (1 hour)		
Location:			
Architect:			
Engineer:	DRAWN BY: MAB	DATE: 11-13-07	REV. DATE: 11-03-08
Contractor:	REV. NO. 7	APPROVED BY: SDC	DWG. NO.: B-16