



# MODEL F/S-AF-FA-II

## FRONT ACCESS COMBINATION FIRE/SMOKE DAMPER

LOW PRESSURE DROP AIRFOIL BLADE PER AMCA STANDARD 500-D

U.L. 555 and U.L.C. S112 Listed 1-1/2 Hour Rated

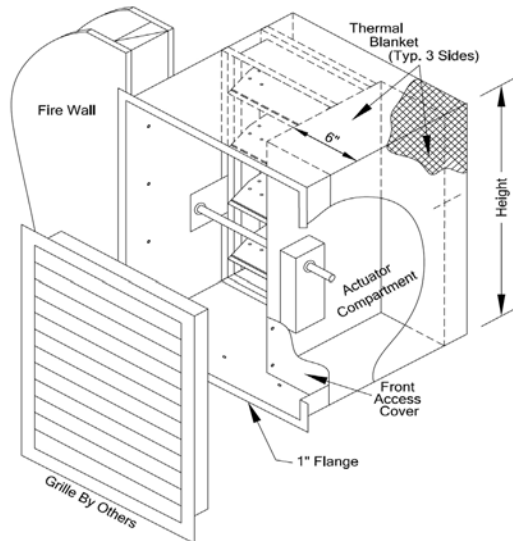
U.L. 555S and U.L.C. S112.1 Listed Class II Leakage

UL File No.  
R25410

### Standard Construction:

- Frame:** Roll-formed galvanized steel hat-section with staked corners with integral bracing.
  - Blades:** Airfoil-shaped, double skin galvanized steel of roll-formed construction. Mechanically joined to form construction equivalent to 14ga. steel.  
Minimum width: 5" (127mm)  
Maximum width: 7" (178mm)
  - Bearings:** Bronze Oilite, press-fit into frame.
  - Axles:** Square, plated steel.
  - Seals:** Pressure sensitive 450° F silicone blade edge seals and flexible metal jamb seals.
  - Linkage:** Concealed in frame. Linkage bars are .125" (3.2mm) thick plated steel.
  - Sleeve:** Galvanized, wrapped in thermal blanket. (Typ. 3 sides)
  - Controlled Closure Device:** (Heat Activated)  
EFL - 165° F Standard, 212°, 250°, 350° F available  
PFL - 165° F Standard, 212° F available
  - Finish:** Mill galvanized.
  - Maximum Velocity:** 2000 fpm (10.2 m/s) on all sizes
  - Maximum Pressure:** 4" wg (1kPa)
- Consult Factory For Velocities up to 4000 FPM and 6.0" w.g.

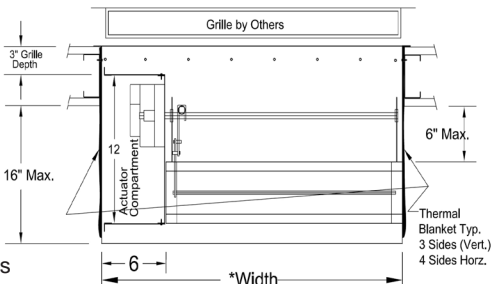
U.L. 555S CLASSIFIED  
AT 250 °F OR 350 °F  
DEPENDING UPON  
MOTOR/OPERATOR  
\*SEE MOTOR/OPERATOR SCHEDULE



### Sizes:

**Minimum Size:** 14" w x 10" h  
(355mm x 254mm)

**Max - Single Section:** 42" w x 48" h  
(1067mm x 1219mm)



### Features:

- The F/S-AF-FA-II series Combination Fire/Smoke Dampers have been designed and tested to exceed all U.L., U.L.C. and N.F.P.A. requirements for fire dampers as well as smoke dampers.
- F/S-AF-FA-II is U.L. 555 and U.L.C. S112 listed and labeled as a 1-1/2 hour fire damper.
- U.L. and U.L.C. listed for both vertical and horizontal mountings.
- U.L. 555S / U.L.C. S112.1 listed and labeled as a Leakage Class II rated Smoke Damper with airflow in both directions. Class II provides for a maximum leakage of 20 cfm per sq. ft. at 4.0 inches static pressure.

Not recommended with blades running vertically.

It is recommended the damper must be inspected and cycled at intervals not greater than every twelve months or in accordance with NFPA 80, 90A, 92A, local codes and the actuator manufacturer.

Face flange shipped loose if external

\* Wall opening must be oversized by 3/4" (19mm) to accommodate thermal blanket thickness.

### Options:

- Factory sleeves \_\_\_\_\_ Ga (20 Ga. std.)  
Length \_\_\_\_\_ (min. 16")
- Retaining Angles
  - One Side
  - Smoke Detector
  - Ionization
  - Photoelectric
- Transitions
  - Round
  - Oval
  - DTO/RE w/ MS Pkg
  - Micro-Switch Pkg
- Actuator
  - Electric, \_\_\_\_\_ VAC Voltage
  - Pneumatic, 25 psi
  - RCB-1, -2, -3
- Mounting Orientation
  - Horizontal
  - Vertical

### Suggested Specification

Combination Fire/Smoke Dampers shall be Model: F/S-AF-FA-II, by United Enertech. Fire/Smoke Dampers shall bear the Underwriters' Laboratories labels for both Fire Dampers and Smoke Dampers. Each damper shall be UL/ULC qualified for mounting outside of the plane of the wall and have concealed actuator access, from grille side, to allow 'through the grille' access to actuators and controls. U.L. 555S rating shall be Class II with leakage not exceed 20 cfm per sq. ft. at 4.0 inches static pressure for any size. Linkage shall be of the concealed type for maximum free area.

Name:	<input type="checkbox"/> <b>MODEL F/S-AF-FA-II (1-1/2 hour)</b>		
Location:			
Architect:			
Engineer:	DRAWN BY: MAB	DATE: 11-13-07	REV. DATE: 10-31-08
Contractor:	REV. NO. 6	APPROVED BY: SDC	DWG. NO.: <b>B-14</b>

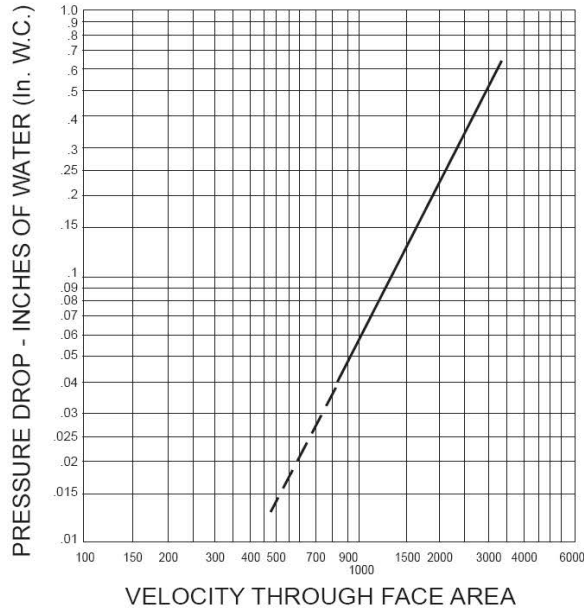


**MODEL F/S-AF-FA-II**  
**COMBINATION FIRE / SMOKE DAMPER**  
**U.L. 555 AND U.L.C. S112 LISTED 1-1/2 HOUR RATED**  
**U.L. 555S AND U.L.C. S112.1 LISTED CLASS II LEAKAGE**

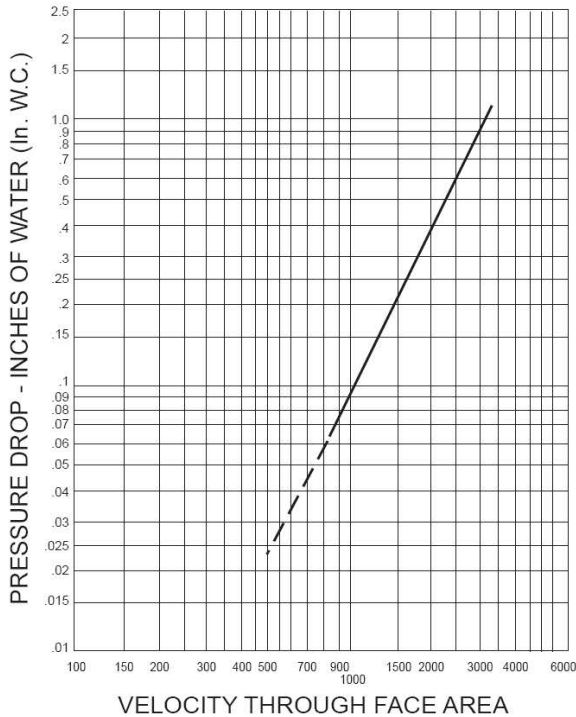
## PERFORMANCE DATA

Pressure drop testing was done by an independent laboratory to AMCA Standard 500-D, Fig. 5.3 ductwork upstream & downstream.

DAMPER SIZE 36 x 36



DAMPER SIZE 24 x 24



DAMPER SIZE 12 X 12

