



# MODEL F/S-AF-OW-II

## OUTSIDE WALL COMBINATION FIRE/SMOKE DAMPER

U.L. 555 AND U.L.C. S112 LISTED 1-1/2 HOUR RATED  
 U.L. 555S AND U.L.C. S112.1 LISTED CLASS II LEAKAGE

UL File No.  
 R25410

**Standard Construction:**

- Frame:** Roll-formed galvanized steel hat-section with staked corners with integral bracing.
- Blades:** Airfoil-shaped, double skin galvanized steel of roll-formed construction. Mechanically joined to form construction equivalent to 14ga. steel.  
 Minimum width: 5" (127mm)  
 Maximum width: 7" (178mm)
- Bearings:** Bronze Oilite, press-fit into frame.
- Axles:** Square, plated steel.
- Seals:** Pressure sensitive 450° F silicone blade edge seals and flexible metal jamb seals.
- Linkage:** Concealed in frame. Linkage bars are .125" (3.2mm) thick plated steel.
- Sleeve:** Galvanized, wrapped in thermal blanket. (Vert. Typ. 3 sides), 20 Ga, 16" std.
- Controlled Closure Device:** (Heat Activated)  
 EFL - 165° F Standard, 212°, 250°, 350° F available  
 PFL - 165° F Standard, 212° F available
- Finish:** Mill galvanized.
- Maximum Velocity:** 2000 fpm (10.2 m/s) on all sizes
- Maximum Pressure:** 4" wg (1kPa)  
 Consult Factory For Velocities up to 4000 FPM and 6.0" w.g.

Note: Due to continuing research, UE reserves the right to change specifications without notice.

U.L. 555S CLASSIFIED AT 250 °F OR 350 °F DEPENDING UPON MOTOR/OPERATOR \*SEE MOTOR/OPERATOR SCHEDULE



**Sizes:**

- Minimum Size:** 14"w x 10"h (355mm x 254mm)
- Max - Single Section:** 36"w x 48"h (914mm x 1219mm)
- Max - Multi Section:** 42"w x 48"h (1067mm x 1219mm)

**Features:**

- The F/S-AF-OW-II series Combination Fire/Smoke Dampers have been designed and tested to exceed all U.L., U.L.C. and N.F.P.A. requirements for fire dampers as well as smoke dampers.
- F/S-AF-OW-II is U.L. 555 and U.L.C. S112 listed and labeled as a 1-1/2 hour fire damper.
- U.L. and U.L.C. listed for both vertical and horizontal mountings.
- U.L. 555S / U.L.C. S112.1 listed and labeled as a Leakage Class II rated Smoke Damper with airflow in both directions. Class II provides for a maximum leakage of 20 cfm per sq. ft. at 4.0 inches static pressure.

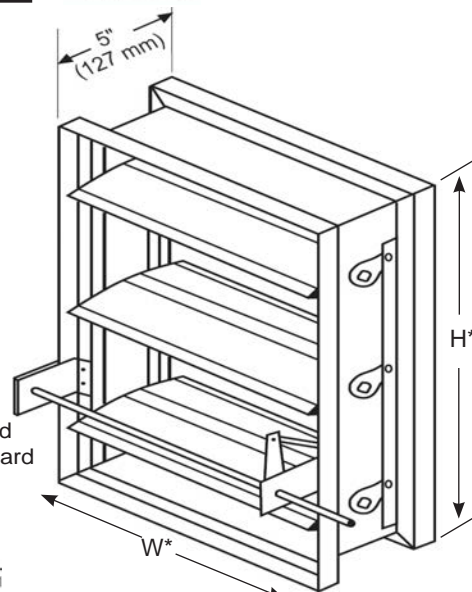
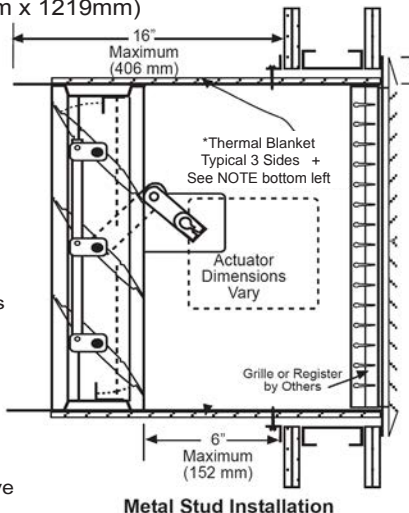
Not recommended with blades running vertically

+Typical 4 sides when mounted horizontally.

It is recommended the damper must be inspected and cycled at intervals not greater than every twelve months or in accordance with NFPA 80, 90A, 92A, local codes and the actuator manufacturer.

**Suggested Specification**

Combination Fire/Smoke Dampers shall be Model: F/S-AF-OW-II, by United Enertech. Damper blades shall be of double-skinned streamlined ("airfoil") construction for minimum pressure drop. Both blade edge and jamb seals shall be of the pressure sensitive type for low leakage. Dampers shall be rated for both Fire Damper (U.L. 555/U.L.C. S112) and Smoke Damper (U.L. 555S/U.L.C. S112.1) operation. Leakage shall not exceed 20cfm per sq. ft. at 4.0 inches static pressure. Linkage shall be of the concealed type for maximum free area. Each damper shall be qualified for mounting outside of the plane of the wall to allow 'through the grille' access to actuators and controls. Dampers shall bear the Underwriters' Laboratories labels.



\* Wall opening must be oversized by 3/4" (19mm) to accommodate thermal blanket thickness.

Face flange shipped loose if external actuator

**Options:**

- Factory sleeves \_\_\_\_\_ Ga (20 Ga. std.)  
 Length \_\_\_\_\_ (min. 16")
- Retaining Angles  Smoke Detector
- One Side  Ionization
- Transitions  Photoelectric
- Round  DTO/RE w/ MS Pkg
- Oval  Micro-Switch Pkg
- RCB-1, -2, -3
- Actuator  Electric, \_\_\_\_\_ VAC Voltage
- Pneumatic, 25 psi
- Mounting Orientation  Horizontal  Vertical

Name:
Location:
Architect:
Engineer:
Contractor:

<input type="checkbox"/> <b>MODEL F/S-AF-OW-II (1-1/2 hour)</b>		
DRAWN BY: MAB	DATE: 11-13-07	REV. DATE: 10-29-08
REV. NO. 6	APPROVED BY: SDC	DWG. NO.: B-12