



MODEL F/S-AF-OW-I

OUTSIDE WALL COMBINATION FIRE/SMOKE DAMPER

U.L. 555 AND U.L.C. S112 LISTED 1-1/2 HOUR RATED
 U.L. 555S AND U.L.C. S112.1 LISTED CLASS I LEAKAGE

UL File No.
R25410

Standard Construction:

- Frame:** Roll-formed galvanized steel hat-section with staked corners with integral bracing.
- Blades:** Airfoil-shaped, double skin galvanized steel of roll-formed construction. Mechanically joined to form construction equivalent to 14ga. steel.
Minimum width: 5" (127mm)
Maximum width: 7" (178mm)
- Bearings:** Bronze Oilite, press-fit into frame.
- Axles:** Square, plated steel.
- Seals:** Pressure sensitive 450° F silicone blade edge seals and flexible metal jamb seals.
- Linkage:** Concealed in frame. Linkage bars are .125" (3.2mm) thick plated steel.
- Sleeve:** Galvanized, wrapped in thermal blanket. (Vert. Typ. 3 sides), 20 Ga, 16" Std.
- Controlled Closure Device:** (Heat Activated)
EFL - 165° F Standard, 212°, 250°, 350° F available
PFL - 165° F Standard, 212° F available
- Finish:** Mill galvanized.
- Maximum Velocity:** 2000 fpm (10.2 m/s) on sizes
- Maximum Pressure:** 4" wg (1kPa)
- Consult Factory For Velocities up to 4000 FPM and 6.0" w.g.

Sizes:

- Minimum Size:** 14"w x 10"h (355mm x 254mm)
- Max - Single Section:** 36"w x 48"h (914mm x 1219mm)
- Max - Multi Section:** 42"w x 48"h (1067mm x 1219mm)

Features:

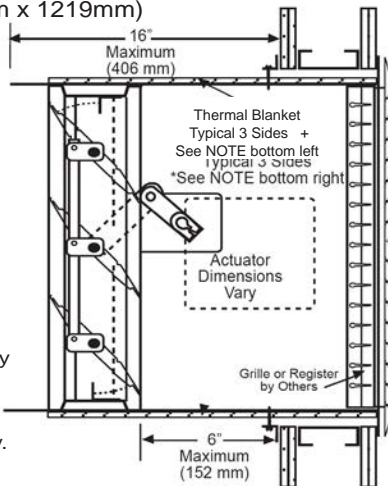
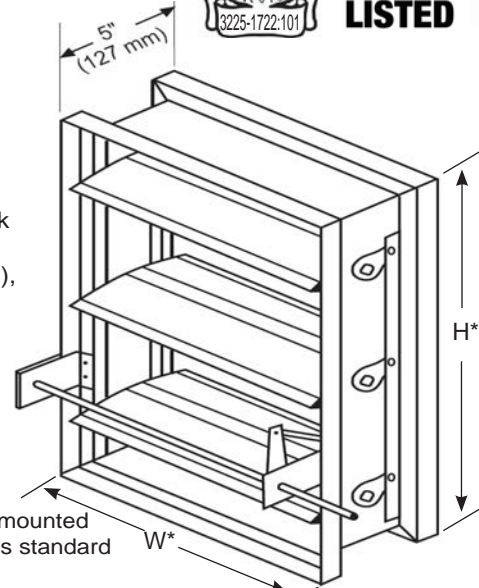
- The F/S-AF-OW-I series Combination Fire/Smoke Dampers have been designed and tested to exceed all U.L., U.L.C. and N.F.P.A. requirements for fire dampers as well as smoke dampers.
- F/S-AF-OW-I is U.L. 555 and U.L.C. S112 listed and labeled as a 1-1/2 hour fire damper.
- U.L. and U.L.C. listed for both vertical and horizontal mountings.
- U.L. 555S / U.L.C. S112.1 listed and labeled as a Leakage Class I rated Smoke Damper with airflow in both directions. Class I provides for a maximum leakage of 8 cfm per sq. ft. at 4.0 inches static pressure. As we are constantly expanding our U.L./U.L.C. listings, we suggest you contact the factory for current information.

Not recommended with blades running vertically.
 + Typical 4 side when mounted horizontally

Suggested Specification

Combination Fire/Smoke Dampers shall be Model: F/S-AF-OW-I, by United Enertech. Damper blades shall be of double-skinned streamlined ("airfoil") construction for minimum pressure drop. Both blade edge and jamb seals shall be of the pressure sensitive type for low leakage. Dampers shall be rated for both Fire Damper (U.L. 555/U.L.C. S112) and Smoke Damper (U.L. 555S/U.L.C. S112.1) operation. Leakage shall not exceed 8cfm per sq. ft. at 4.0 inches static pressure. Linkage shall be of the concealed type for maximum free area. Each damper shall be qualified for mounting outside of the plane of the wall to allow 'through the grille' access to actuators and controls. Dampers shall bear the Underwriters' Laboratories labels.

U.L. 555S CLASSIFIED
 AT 250 °F OR 350 °F
 DEPENDING UPON
 MOTOR/OPERATOR
 *SEE MOTOR/OPERATOR SCHEDULE



Note: Due to continuing research, UE reserves the right to change specifications without notice.

* Wall opening must be oversized by 3/4" (19mm) to accommodate thermal blanket thickness.
 Face flange shipped loose if external actuator

Options:

- Factory sleeves _____ Ga (20 Ga min.)
Length _____ (min. 16")
- Retaining Angles Smoke Detector
 - One Side Ionization
 - Photoelectric
- Transitions
 - Round DTO/RE w/ MS Pkg
 - Oval Micro-Switch Pkg
 - RCB-1, -2, -3
- Actuator
 - Electric, _____ VAC Voltage
 - Pneumatic, 25 psi
- Mounting Orientation
 - Horizontal
 - Vertical

Name:	<input type="checkbox"/> MODEL F/S-AF-OW-I (1-1/2 hour)		
Location:			
Architect:	DRAWN BY: MAB	DATE: 11-13-07	REV. DATE: 09-09-08
Engineer:	REV. NO. 6	APPROVED BY: SDC	DWG. NO.: B-11
Contractor:			