



MODEL F/S-3V-OW-II

OUTSIDE WALL COMBINATION FIRE/SMOKE DAMPER

UL File No.
R25410

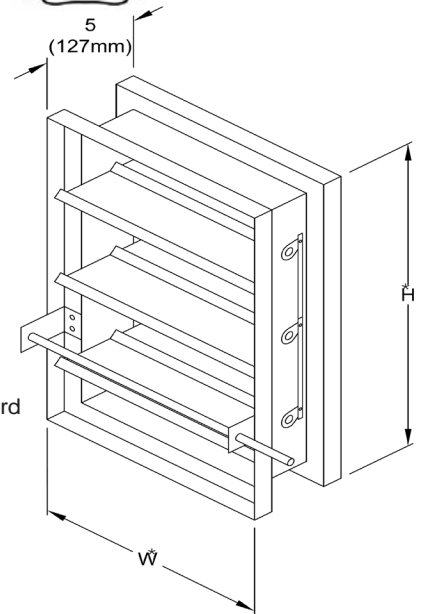
U.L. 555 and U.L.C. S112 LISTED 1-1/2 HOUR RATED
U.L. 555S AND U.L.C. S112.1 LISTED CLASS II LEAKAGE

Standard Construction:

- Frame:** Roll-formed galvanized steel hat-section with staked corners with integral bracing.
- Blades:** 16ga. Roll-formed galvanized steel.
Minimum width: 4.250" (108mm)
Maximum width: 7.250" (184mm)
- Bearings:** Bronze Oilite, press-fit into frame.
- Axles:** Square, plated steel.
- Seals:** Pressure sensitive 450° F silicone blade edge seals and flexible metal jamb seals.
- Linkage:** Concealed in frame. Linkage bars are .125" (3.2mm) thick plated steel.
- Sleeve:** Galvanized, wrapped in thermal blanket. (Vert. Typ. 3 sides), 20 Ga, 16" Std.
- Controlled Closure Device:** (Heat Activated)
EFL - 165° F Standard, 212°, 250°, 350° F available
PFL - 165° F Standard, 212° F available
- Finish:** Mill galvanized.
- Maximum Velocity:** 2000 fpm (10.2 m/s) on all sizes
- Maximum Pressure:** 4" wg (1kPa)

Note: Due to continuing research, UE reserves the right to change specifications without notice.

U.L. 555S CLASSIFIED
AT 250 °F OR 350 °F
DEPENDING UPON
MOTOR/OPERATOR
*SEE MOTOR/OPERATOR SCHEDULE



Actuator mounted internal as standard

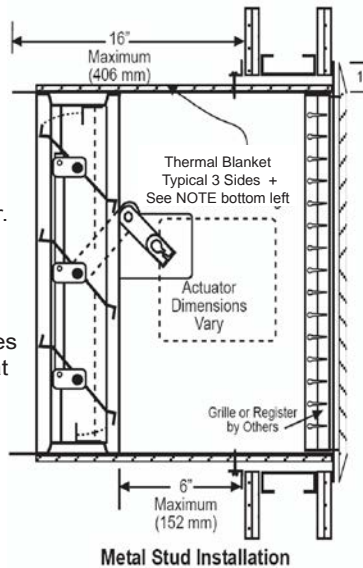
Sizes:

- Minimum Size:** 14"w x 10"h (355mm x 254mm)
- Max - Single Section:** 36"w x 48"h (914mm x 1219mm)
- Max - Multi Section:** 42"w x 48"h (1067mm x 1219mm)

Features:

- The F/S-3V-OW-II series Combination Fire/Smoke Dampers have been designed and tested to exceed all U.L., U.L.C. and N.F.P.A. requirements for fire dampers as well as smoke dampers.
- F/S-3V-OW-II is U.L. 555 and U.L.C. S112 listed and labeled as a 1-1/2 hour fire damper.
- U.L. and U.L.C. listed for both vertical and horizontal mountings.
- U.L. 555S / U.L.C. S112.1 listed and labeled as a Leakage Class II rated Smoke Damper with airflow in both directions. Class II provides for a maximum leakage of 20 cfm per sq. ft. at 4.0 inches static pressure. Not recommended with blades running vertically.

+Typical - 4 sides when mounted horizontally



* Wall opening must be oversized by 3/4" (19mm) to accommodate thermal blanket thickness.

Options:

- Factory sleeves ____ Ga (20 Ga min.)
Length ____ (min. 16")
- Retaining Angles One Side
- Smoke Detector Ionization Photoelectric
- Transitions Round Oval DTO/RE w/ MS Pkg Micro-Switch Pkg RCB-1, -2, -3
- Actuator Electric, ____ VAC Voltage Pneumatic, 25 psi
- Mounting Orientation Horizontal Vertical

Face flange shipped loose if external actuator

Suggested Specification

Combination Fire/Smoke Dampers shall be Model: F/S-3V-OW-II, by United Enertech. Fire/Smoke Dampers shall bear the Underwriters' Laboratories labels for both Fire Dampers and Smoke Dampers. Each damper shall be UL/ULC qualified for mounting outside of the plane of the wall to allow 'through the grille' access to actuator and controls. U.L. 555S / U.L.C. S112.1 rating shall be Class II with leakage not to exceed 20 cfm per sq. ft. at 4.0 inches static pressure for any size. Linkage shall be of the concealed type for maximum free area.

Name:	<input type="checkbox"/> MODEL F/S-3V-OW-II (1-1/2 hour)		
Location:			
Architect:			
Engineer:	DRAWN BY: MAB	DATE: 11-13-07	REV. DATE: 10-31-08
Contractor:	REV. NO. 6	APPROVED BY: SDC	DWG. NO.: B-10