

MODEL EL-2

FIXED 2" [51mm] LOUVER

STANDARD CONSTRUCTION:

Frame: 0.060 [1.52mm] Extruded Aluminum, 2.16" [55mm] Deep

Blade: 0.060 [1.52mm] Extruded Aluminum positioned on a 37° angle on approximately 1.47" [37mm] centers

Birdscreen: 0.75" x 0.051" [19.05mm x 1.30mm] Flattened Aluminum in removable frame. Screen is mounted as standard on inside (rear) as looking from exterior of building.

Finish: Mill Aluminum (Std.)

Minimum Size: 6" w x 6" h [152mm x 152mm]

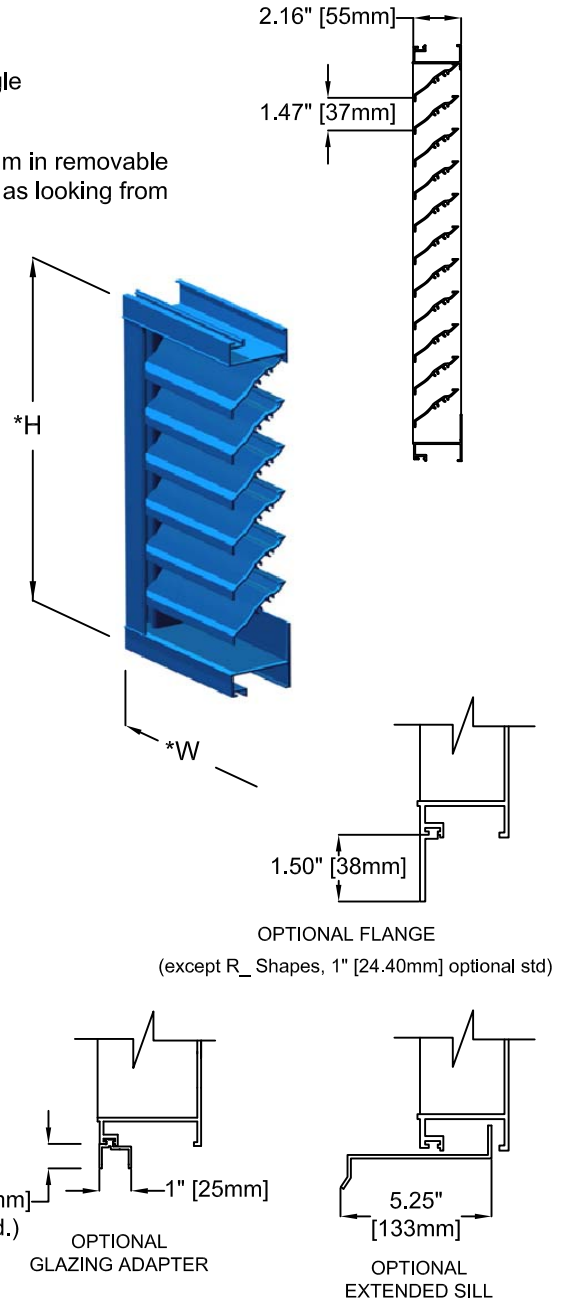
Maximum Single Section: 120"w x 84"h or 84"w x 120"h
[3048mm x 2134mm or 2134mm x 3048mm]

OPTIONS:

- Flanged Frame (1.50" [38mm] std.), (1" [25mm] std for shapes R_)
- Custom Flange (1", 2", or 3" [25mm, 51mm, 76mm]), (1.5", 2", or 3" [38mm, 51mm, 76mm] for shapes R_)
- Glazing Adapter (0.50" or 0.75" [12.70mm or 19.05mm])
- Extended Sill
- Insect Screen (Other Screens Available, See Screen Page)
- Filter Racks (no screen)
- Security Bars
- Hinged Sub Frame
- Welded Construction (Wind Load +/- 50 psf)
- Blank-off, Alum., non-insulated, no screen, non-removeable
- Blank-off, Alum., non-insulated, with bird screen or insect screen
- Blank-off, Alum., insulated double wall, with bird screen, removable
- Blank-off, Alum., insulated double wall, no screen, non-removeable

AVAILABLE FINISHES:

- Powder Polyester TGIC** (2 coats) baked on at 410°F [210° C], 2.5 to 3.5 mils Meets AAMA-2603 Standards
- Powder Super durable polyester** (2 coats) baked on at 410°F [210° C], 2.5 to 3.5 mils Meets AAMA-2604-05 Standards
- Acrylic baked enamel** (ACRA-BOND® ULTRA) by AkzoNobel baked on at 350°F [177° C], 0.8 to 1.2 mils dry Meets AAMA-2603 Standards
- Kynar®** (ALUM*A*STAR®) 2 coats by AkzoNobel baked on at 450°F [222° C], 1.2 to 1.6 mils dry Meets AAMA-2604-05 Standards
- Kynar 500®** or **HYLAR® 5000** 70% TRINAR® (2 coats) by AkzoNobel baked on at 450°F [222° C], 1.2 to 1.6 mils dry, Meets AAMA-2605-05 Standards
- Kynar 500®** or **HYLAR® 5000** (70% Tri-Escent II) (2 coats) by AkzoNobel, a superior finish to other metallic or anodized finishes. A blend of mica, ceramic, and inorganic pigments creates subtle yet dazzling design that goes beyond metallic color without the requirement of a clear coat. 14 standard colors - custom colors available. Baked on at 415°F [213° C], 1.4 to 1.8 mils dry, meets AAMA 2605-05.
- Clear Anodize** 204 R-1 Class II (AA-C22A31)(0.4 to 0.7 mil)
- Clear Anodize** 215 R-1 Class I (AA-C22A41)(>0.7 mil)
- Integral Color Anodize** (AA-C22A42)(>0.7 mil)
 - Clear coat available for all above finishes.
 - Hylar® 5000 is a registered trademark of Solvay Solexis, Inc.
 - Kynar® 500 is a registered trademark of Arkema.
 - ALUM*A*STAR® 50 and TRINAR® are registered trademarks of AkzoNobel
 - ACRA-BOND® ULTRA is a registered trademark of AkzoNobel



*Width and Height dimensions are approximately 1/4" [6.35mm] under listed size.

Due to continuing research, United Enertech reserves the right to change specifications without notice.



3005 South Hickory Street
Chattanooga, Tennessee 37407
Tel: (423) 698-7715
Fax: (423) 698-6629
www.unitedenertech.com

MODEL EL-2 (Fixed J/K Blade Louver)

DRAWN BY: MHM	DATE: 3-29-10	REV. DATE: 4-4-13	REV. NO. 3	APPROVED BY: BGT	DWG. NO.: A-7
------------------	------------------	----------------------	---------------	---------------------	------------------

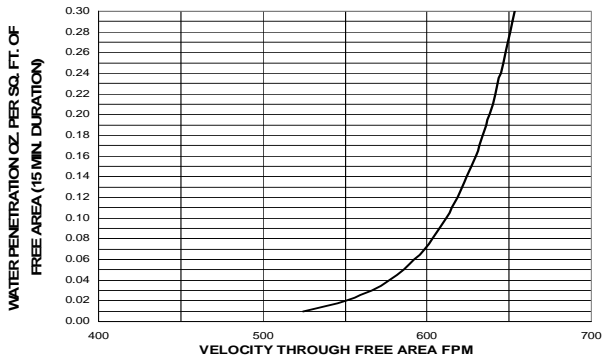
SUGGESTED SPECIFICATION

Furnish and install louvers as hereinafter specified where shown on plans or as described in schedules. Louvers shall be stationary type with downspouts in jambs and mullions. Stationary blades shall be contained within a 2.16" deep frame. Louver components (head, jambs, sills, blades, and mullions) shall be factory assembled by the louver manufacturer. Louver sizes too large for shipping shall be built up by the contractor from factory assembled louver sections to provide overall sizes required. Louver design shall incorporate structural supports required to withstand a wind load of 20 lbs. per sq. ft. (equivalent of a 90 mph wind). Louver shall be United Enertech Model EL-2.

The louver system should be designed with a reasonable safety factor for louver performance. To ensure protection from water carryover, design with a performance level somewhat below maximum desired pressure drop and .01 oz./sq. ft. of water penetration

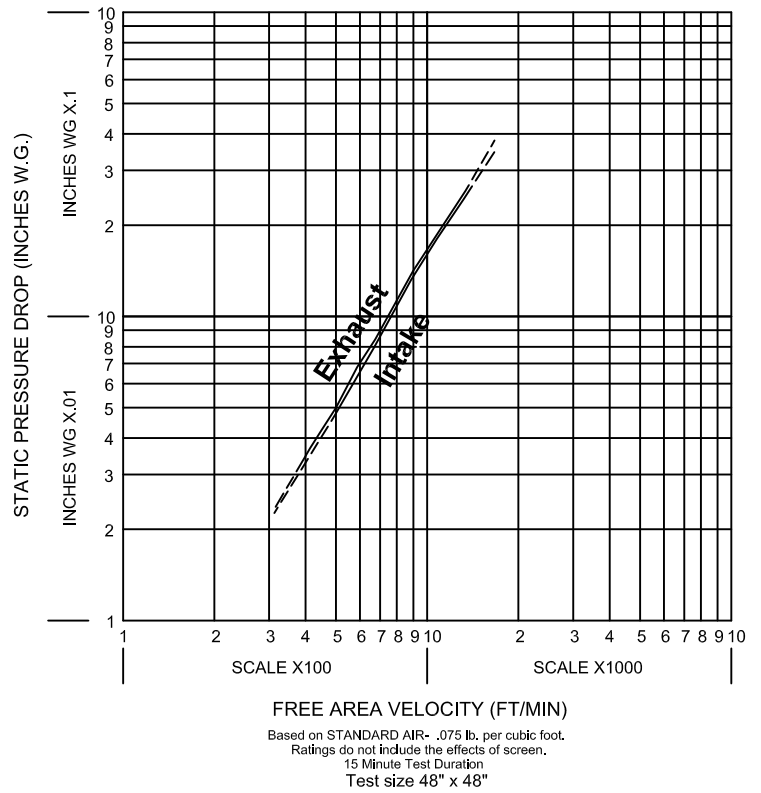
WATER PENETRATION

Standard Air - .075 lbs/ft²



PERFORMANCE DATA

AIR FLOW RESISTANCE



Beginning point of **WATER PENETRATION** for **MODEL EL-2** is **524 fpm**
free area velocity at .01 oz. of water (penetration)

EL-2 FREE AREA IN SQ. FT.

Louver Height Inches	Width - Inches																			Louver Height Inches	
	6	12	18	24	30	36	42	48	54	60	66	72	78	84	90	96	102	108	114		120
6	0.03	0.08	0.13	0.18	0.23	0.27	0.32	0.37	0.42	0.47	0.52	0.57	0.62	0.67	0.72	0.77	0.82	0.86	0.91	0.96	12
12	0.07	0.20	0.33	0.46	0.59	0.72	0.84	0.97	1.10	1.23	1.36	1.48	1.61	1.74	1.87	2.00	2.13	2.25	2.38	2.51	6
18	0.19	0.52	0.85	1.19	1.52	1.85	2.18	2.51	2.84	3.17	3.50	3.83	4.16	4.49	4.82	5.16	5.49	5.82	6.15	6.48	18
24	0.27	0.72	1.17	1.63	2.08	2.54	2.99	3.45	3.90	4.35	4.81	5.26	5.72	6.17	6.63	7.08	7.53	7.99	8.44	8.90	24
30	0.35	0.94	1.54	2.13	2.73	3.32	3.92	4.52	5.11	5.71	6.30	6.90	7.49	8.09	8.68	9.28	9.87	10.47	11.06	11.66	30
36	0.47	1.26	2.06	2.86	3.66	4.46	5.25	6.05	6.85	7.65	8.44	9.24	10.04	10.84	11.64	12.43	13.23	14.03	14.83	15.63	36
42	0.58	1.58	2.58	3.58	4.59	5.59	6.59	7.59	8.59	9.59	10.59	11.59	12.59	13.59	14.59	15.59	16.59	17.59	18.59	19.59	42
48	0.68	1.84	3.01	4.17	5.33	6.50	7.66	8.82	9.99	11.15	12.31	13.48	14.64	15.80	16.97	18.13	19.29	20.46	21.62	22.78	48
54	0.77	2.10	3.43	4.75	6.08	7.41	8.73	10.06	11.39	12.71	14.04	15.36	16.69	18.02	19.34	20.67	22.00	23.32	24.65	25.98	54
60	0.87	2.36	3.85	5.34	6.83	8.32	9.81	11.29	12.78	14.27	15.76	17.25	18.74	20.23	21.72	23.21	24.70	26.19	27.68	29.17	60
66	0.92	2.49	4.06	5.64	7.21	8.78	10.36	11.93	13.51	15.08	16.65	18.23	19.80	21.37	22.95	24.52	26.09	27.67	29.24	30.81	66
72	1.01	2.75	4.49	6.22	7.96	9.69	11.43	13.17	14.90	16.64	18.38	20.11	21.85	23.59	25.32	27.06	28.80	30.53	32.27	34.00	72
78	1.11	3.01	4.91	6.81	8.71	10.61	12.50	14.40	16.30	18.20	20.10	22.00	23.90	25.80	27.70	29.60	31.50	33.40	35.30	37.20	78
84	1.20	3.27	5.33	7.39	9.45	11.51	13.58	15.64	17.70	19.76	21.83	23.89	25.95	28.01	30.08	32.14	34.20	36.26	38.33	40.39	84
90	1.30	3.52	5.75	7.97	10.20	12.42	14.65	16.87	19.10	21.32	23.55	25.77	27.99	30.22	32.44	34.67	36.89	39.12	41.34	43.57	90
96	1.39	3.78	6.17	8.56	10.95	13.34	15.73	18.12	20.51	22.90	25.28	27.67	30.06	32.45	34.84	37.23	39.62	42.01	44.40	46.79	96
102	1.45	3.94	6.43	8.92	11.41	13.89	16.38	18.87	21.36	23.85	26.34	28.83	31.31	33.80	36.29	38.78	41.27	43.76	46.24	48.73	102
108	1.57	4.26	6.95	9.65	12.34	15.03	17.72	20.42	23.11	25.80	28.49	31.18	33.88	36.57	39.26	41.95	44.64	47.34	50.03	52.72	108
114	1.69	4.58	7.48	10.37	13.27	16.16	19.06	21.95	24.85	27.74	30.63	33.53	36.42	39.32	42.21	45.11	48.00	50.90	53.79	56.69	114
120	1.81	4.90	8.00	11.10	14.20	17.29	20.39	23.49	26.58	29.68	32.78	35.87	38.97	42.07	45.17	48.26	51.36	54.46	57.55	60.65	120