

# SUBMITTAL DATA

## MODEL ES-EL-4

## 4" [102mm] Aluminum Equipment Screen

### STANDARD CONSTRUCTION:

**FRAME:** 2" x 2" x 0.25" [51mm x 51mm x 6.35mm] thk. angle (6063-T5 Extruded)

**BLADES:** 0.081" [2.06mm] thk., 6063-T5 Extruded Aluminum

**FINISH:** Mill

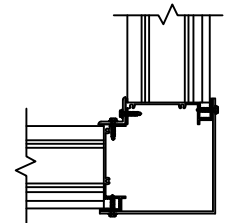
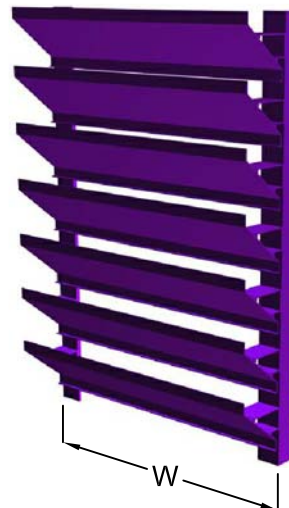
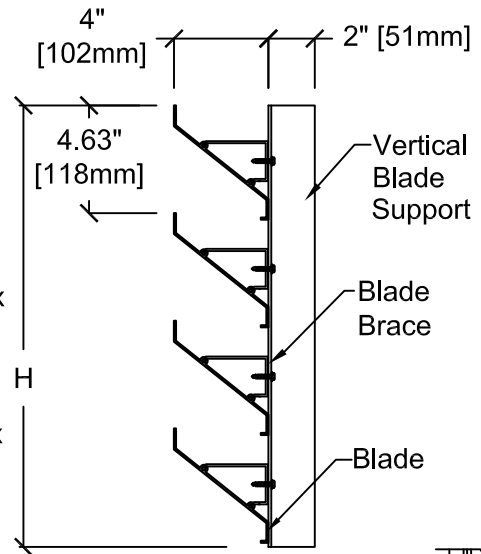
**MAX. SINGLE SECTION:** 84"w x 120"h or 120"w x 84"h [2134mm x 3048mm or 3048mm x 2134mm]

**MIN. SECTION SIZE:** 12"w x 12"h [305mm x 305mm]

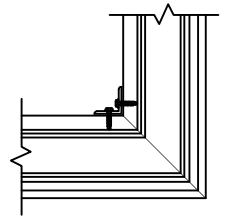
\*Panels over 48" [1219mm] wide will have a 2" x 2" x 0.25" [51mm x 51mm x 6.35mm] aluminum angle with blade supports mid-span.

### AVAILABLE FINISHES:

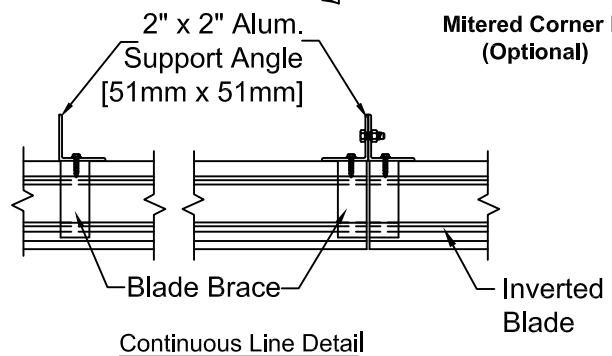
- Powder Polyester TGIC** (2 coats) baked on at 410°F [210° C], 2.5 to 3.5 mils Meets AAMA-2603 Standards
- Powder Super durable polyester** (2 coats) baked on at 410°F [210° C], 2.5 to 3.5 mils Meets AAMA-2604-05 Standards
- Acrylic baked enamel (ACRA-BOND® ULTRA)** by AkzoNobel baked on at 350°F [177° C], 0.8 to 1.2 mils dry Meets AAMA-2603 Standards
- Kynar® (ALUM\*A\*STAR®)** 2 coats by AkzoNobel baked on at 450°F [232° C], 1.2 to 1.6 mils dry Meets AAMA-2604-05 Standards
- Kynar 500® or HYLAR® 5000 70% TRINAR®** (2 coats) by AkzoNobel baked on at 450°F [232° C], 1.2 to 1.6 mils dry, Meets AAMA-2605-05 Standards
- Kynar 500® or HYLAR® 5000 (70% Tri-Escent II)** (2 coats) by AkzoNobel, a superior finish to other metallic or anodized finishes. A blend of mica, ceramic, and inorganic pigments creates subtle yet dazzling design that goes beyond metallic color without the requirement of a clear coat. 14 standard colors - custom colors available. Baked on at 415°F [213° C], 1.4 to 1.8 mils dry, meets AAMA 2605-05.
- Clear Anodize 204 R-1 Class II (AA-C22A31)** (0.4 to 0.7 mil)
- Clear Anodize 215 R-1 Class I (AA-C22A41)**(>0.7 mil)
- Integral Color Anodize (AA-C22A42)**(>0.7 mil)
  - Clear coat available for all above finishes.
  - Hylar® 5000 is a registered trademark of Solvay Solexis, Inc.
  - Kynar® 500 is a registered trademark of Arkema.
  - ALUM\*A\*STAR® 50 and TRINAR® are registered trademarks of AkzoNobel
  - ACRA-BOND® ULTRA is a registered trademark of AkzoNobel



**Box Corner Detail (Standard)**



**Mitered Corner Detail (Optional)**



Due to continuing research, United Enertech reserves the right to change specifications without notice.



3005 South Hickory Street  
Chattanooga, Tennessee 37407  
Tel: (423) 698-7715  
Fax: (423) 698-6629  
www.unitedenertech.com

### MODEL ES-EL-4 (4" [102mm] Aluminum Equipment Screen)

DRAWN BY: MHM	DATE: 3-12-10	REV. DATE: 5-6-13	REV. NO. 1	APPROVED BY: BGT	DWG. NO.: A-50
------------------	------------------	----------------------	---------------	---------------------	-------------------

# Model ES-EL-4 Typical Installation Details

