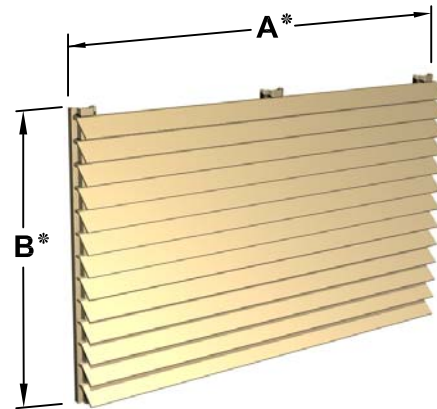


MODEL EL-1-CO

PTAC GRILLE-CORE ONLY

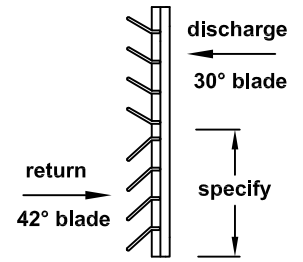
APPLICATION AND DESIGN:

The EL-1-CO is generally used as a decorative louver that is installed with PTAC applications. It consist of a Core Only that mounts directly to the PTAC. It comes with #10 x 1" mounting bolts for installations. The free area is approximately 65% which provides minimal resistance to airflow. This grille is available with an optional split airflow design which allows discharge and return air to flow through the same grille simultaneously.

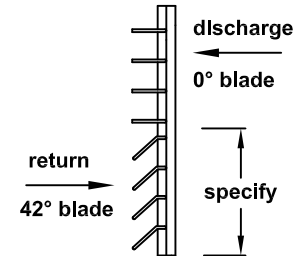


EL-1-CO w/30° Blades Shown

Split Airflow Option



Design #1



Design #2

STANDARD CONSTRUCTION:

Blade: 0.070" [1.78mm] 6063-T5 Extruded Aluminum placed on 0.75" [19.05mm] centers (available in 30° or 42°)

Blade Brace: 0.070" [1.78mm] 6063-T5 Extruded Aluminum

Finish: Clear Anodized

Max Single Section: 120"w x 84"h [3048mm x 2134mm] (Multi-section Units Available)

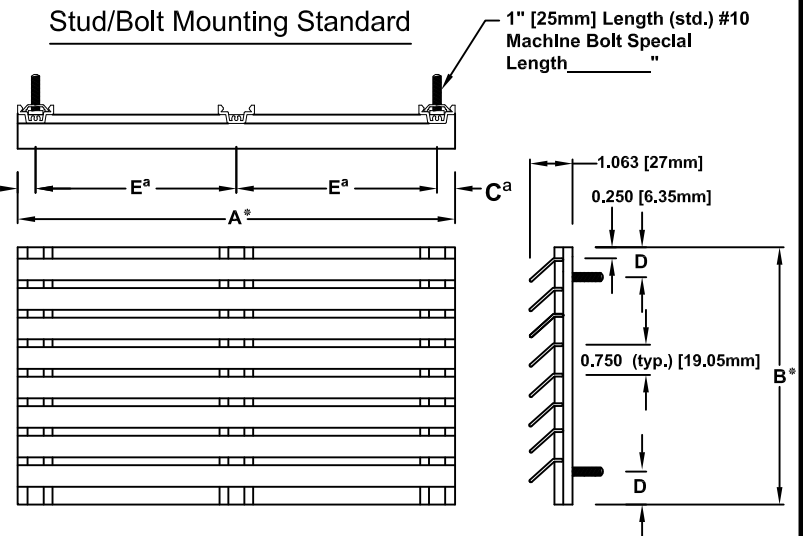
OPTIONS:

- Blade Degree: 30°, 42°
- Insect Screen (Other Screens Available, See Screen Page)
- Blade Direction: Facing Up, Facing Down
- Split Airflow Design: Design #1, Design #2
- Return Height: _____"

AVAILABLE FINISHES:

- Powder Super durable polyester** (2 coats) baked on at 410°F [210° C], 2.5 to 3.5 mils Meets AAMA-2604-05 Standards
- Powder Polyester TGIC** (2 coats) baked on at 410°F [210° C], 2.5 to 3.5 mils Meets AAMA-2603 Standards
- Acrylic baked enamel (ACRA-BOND® ULTRA)** by AkzoNobel baked on at 350°F [177° C], 0.8 to 1.2 mils dry Meets AAMA-2603 Standards
- Kynar® (ALUM*A*STAR®)** 2 coats by AkzoNobel baked on at 450°F [232° C], 1.2 to 1.6 mils dry Meets AAMA-2604-05 Standards
- Kynar 500®** or **HYLAR® 5000 70% TRINAR®** (2 coats) by AkzoNobel baked on at 450°F [232° C], 1.2 to 1.6 mils dry, Meets AAMA-2605-05 Standards
- Kynar 500®** or **HYLAR® 5000 (70% Tri-Escent II)** (2 coats) by AkzoNobel, a superior finish to other metallic or anodized finishes. A blend of mica, ceramic, and inorganic pigments creates subtle yet dazzling design that goes beyond metallic color without the requirement of a clear coat. 14 standard colors - custom colors available. Baked on at 415°F [213° C], 1.4 to 1.8 mils dry, meets AAMA 2605-05.
- Clear Anodize 204 R-1 Class II (AA-C22A31)**(0.4 to 0.7 mil)
- Clear Anodize 215 R-1 Class I (AA-C22A41)**(>0.7 mil)
- Integral Color Anodize (AA-C22A42)**(>0.7 mil)
 - Clear coat available for all above finishes.
 - Hylar® 5000 is a registered trademark of Solvay Solexis, Inc.
 - Kynar® 500 is a registered trademark of Arkema.
 - ALUM*A*STAR® 50 and TRINAR® are registered trademarks of AkzoNobel
 - ACRA-BOND® ULTRA is a registered trademark of AkzoNobel

Stud/Bolt Mounting Standard



Qty.	"A" (width)	"B" (height)	"C" (specify)	"D" (specify)	Tag

^a "E" Not to Exceed 16" [406mm]

*Width and Height dimensions are approximately 1/4" [6.35mm] under listed size.

Due to continuing research, United Enertech reserves the right to change specifications without notice.



3005 South Hickory Street
 Chattanooga, Tennessee 37407
 Tel: (423) 698-7715
 Fax: (423) 698-6629
www.unitedenertech.com

MODEL EL-1-CO (PTAC GRILLE-CORE ONLY)

DRAWN BY: MHM	DATE: 5-4-10	REV. DATE: 4-30-13	REV. NO. 1	APPROVED BY: BGT	DWG. NO.: A-44
------------------	-----------------	-----------------------	---------------	---------------------	--------------------------