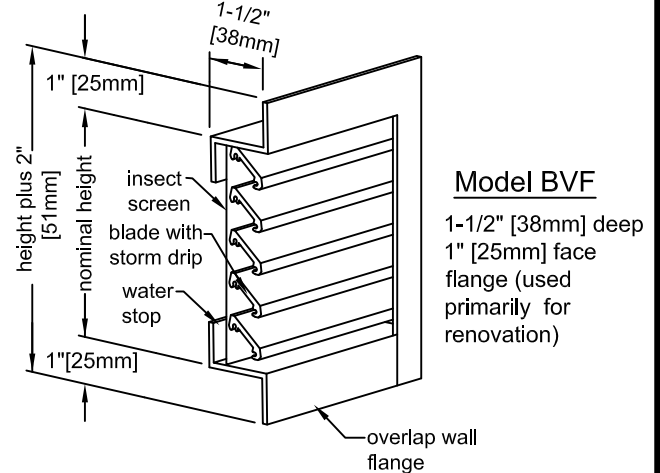
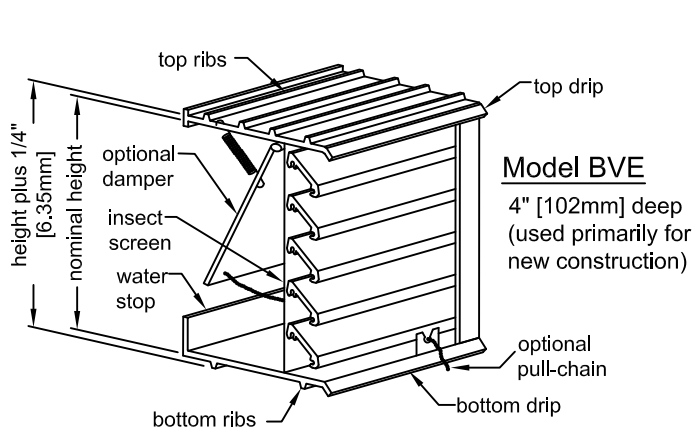


MODEL BVE/BVF

EXTRUDED ALUMINUM BRICK VENTS



QTY.	BVE	BVF	MODEL	NOMINAL SIZE	FREE AREA (SQ. FT.)	OPTIONS
			825	8-1/8" X 2-3/8" [206mm x 60mm]	0.036	
			847	8-1/8" X 4-3/4" [206mm x 121mm]	0.082	
			808	8-1/8" X 7-3/4" [206mm x 197mm]	0.170	
			123	12" X 2-3/8" [305mm x 60mm]	0.056	
			125	12" X 4-3/4" [305mm x 121mm]	0.125	
			128	12" X 7-3/4" [305mm x 197mm]	0.236	
			1212	12" X 11-3/4" [305mm x 298mm]	0.351	
			157	15-5/8" X 7-3/4" [397mm x 197mm]	0.295	
			1516	15-5/8" X 15-3/4" [397mm x 400mm]	0.627	
			162	16-1/2" X 2-3/8" [419mm x 60mm]	0.078	
			164	16-1/2" X 4-3/4" [419mm x 121mm]	0.184	
			168	16-1/2" X 7-3/4" [419mm x 197mm]	0.313	
			1616	16-1/2" X 15-3/4" [419mm x 400mm]	0.664	
			242	24" X 2-3/8" [610mm x 60mm]	0.118	
			244	24" X 4-3/4" [610mm x 121mm]	0.259	
			248	24" X 7-3/4" [610mm x 197mm]	0.461	
			3208	32" X 7-3/4" [813mm x 197mm]	0.620	
			4808	48" X 7-3/4" [1219mm x 197mm]	0.938	

AVAILABLE FINISHES:

- Powder Polyester TGIC** (2 coats) baked on at 410°F [210° C], 2.5 to 3.5 mils Meets AAMA-2603 Standards
- Powder Super durable polyester** (2 coats) baked on at 410°F [210° C], 2.5 to 3.5 mils Meets AAMA-2604-05 Standards
- Acrylic baked enamel (ACRA-BOND® ULTRA)** by AkzoNobel baked on at 350°F [177° C], 0.8 to 1.2 mils dry Meets AAMA-2603 Standards
- Kynar® (ALUM*A*STAR®)** 2 coats by AkzoNobel baked on at 450°F [232° C], 1.2 to 1.6 mils dry Meets AAMA-2604-05 Standards
- Kynar 500® or HYLAR® 5000 70% TRINAR®** (2 coats) by AkzoNobel baked on at 450°F [232° C], 1.2 to 1.6 mils dry, Meets AAMA-2605-05 Standards
- Kynar 500® or HYLAR® 5000 (70% Tri-Escint II)** (2 coats) by AkzoNobel, a superior finish to other metallic or anodized finishes. A blend of mica, ceramic, and inorganic pigments creates subtle yet dazzling design that goes beyond metallic color without the requirement of a clear coat. 14 standard colors - custom colors available. Baked on at 415°F [213° C], 1.4 to 1.8 mils dry, meets AAMA 2605-05.
- Clear Anodize 204 R-1 Class II (AA-C22A31)**(0.4 to 0.7 mil)
- Clear Anodize 215 R-1 Class I (AA-C22A41)**(>0.7 mil)
- Integral Color Anodize (AA-C22A42)**(>0.7 mil)
 - Clear coat available for all above finishes.
 - Hylar® 5000 is a registered trademark of Solvay Solexis, Inc.
 - Kynar® 500 is a registered trademark of Arkema.
 - ALUM*A*STAR® 50 and TRINAR® are registered trademarks of AkzoNobel
 - ACRA-BOND® ULTRA is a registered trademark of AkzoNobel

STANDARD CONSTRUCTION:

Frame: Heavy gauge 6063T5 extruded aluminum, 0.125" [3.16mm] nominal wall thickness. Model BVE frame is 4" [102mm] deep with 0.125" [3.16mm] mortar ribs top and bottom (adding 0.25" [6.35mm] to nominal height). Model BVF frame is 1.50" [38mm] deep (fastener heads add 0.25" [6.35mm] to nominal width).

Blade: Heavy gauge 6063T5 extruded aluminum, 0.125" [3.16mm] nominal wall thickness. 45° blades overlap for optimum visual screening

Insect screen: 18 x16 mesh aluminum insect screen

Finish: Clear Anodized

Sizes Available: Standard sizes shown above. Other sizes available to maximum of 96" x 96" [2438mm x 2438mm]

OPTIONS:

- Single Blade Damper with stainless steel spring and stainless steel pull chain (Model BVE ONLY)
- Straight Duct: 0.063" [1.60mm] aluminum (for up to 12" [305mm] wall thickness)
- 1/2" x 1/2" [13mm x 13mm] Alum. Expanded Screen (Other Screens Available)



3005 South Hickory Street
Chattanooga, Tennessee 37407
Tel: (423) 698-7715
Fax: (423) 698-6629
www.unitedenertech.com

MODEL BVE/BVF (Extruded Aluminum Brick Vents)

DRAWN BY: MHM	DATE: 4-27-10	REV. DATE: 4-25-13	REV. NO. 2	APPROVED BY: BGT	DWG. NO.: A-42
------------------	------------------	-----------------------	---------------	---------------------	-------------------

Due to continuing research, United Enertech reserves the right to change specifications without notice.