

THINLINE OPPOSED / PARALLEL BLADE DAMPER

Suggested Specifications:

Furnish and install at location shown on drawing or in accordance with schedules dampers meeting the following specifications: Rectangular damper shall have .125 streamline extruded aluminum blades and 3" wide, .081 extruded aluminum frame. Damper to have thrust bushings and meet the low pressure drop equal to United Energetech MODEL CD-75 or CD-76.

Standard Construction:

Frame: .081 Extruded Aluminum

Blade: Streamlined .125 Extruded Aluminum, 2.875" centers

Bearing: Bronze Oilite

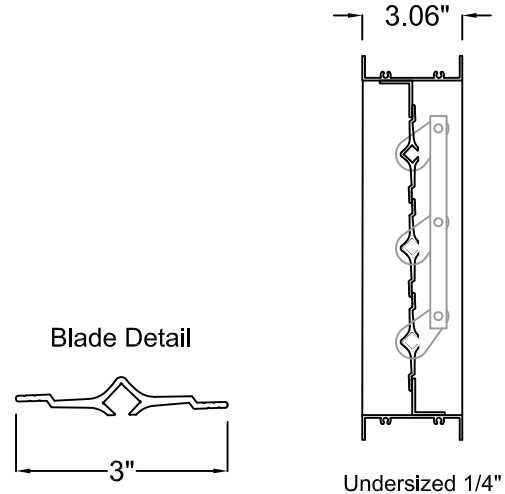
Linkage: Concealed in frame

Axles: 3/8" Square Zinc Plated with thrust bushings

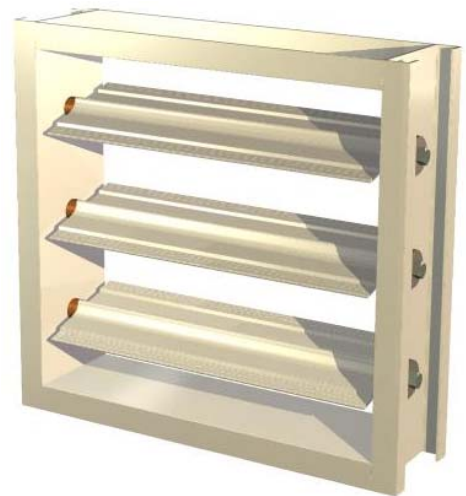
Control Shaft: 1/2" x 6" long outboard support bearing supplied with all single section dampers for field mounted actuators.

Options:

- Blade Seals PVC (175°F)
- Blade Seals Silicone (400°F)
- #304 Stainless Steel Bushing
- Compression Jamb Seals (stainless steel)
- Side Plates (End Flange)
- Hand Quadrant
- Factory Installed Pneumatic or Electric Actuators (see cat. sheet H-1)
- Stand Off Bracket, 2"



Minimum Size: 6"w x 4"h
 7" and under single blade
 Maximum Size: 48"w x 48"h (single section)



MODEL CD-76 (parallel blade) shown

Job Name:	<input type="checkbox"/> MODEL CD-75 (opposed blade) <input type="checkbox"/> MODEL CD-76 (parallel blade)		
Location:			
Architect:	DRAWN BY: CLJ	DATE: 5-16-11	REV. DATE: 7-19-11
Engineer:	REV. NO. 1	APPROVED BY: SDC	DWG. NO.: A-2a
Contractor:			