

MODEL SAFL-6

6" [152mm] ADJUSTABLE STEEL LOUVER

STANDARD CONSTRUCTION:

FRAME: 18 ga. galvanized steel, 6.13" [156mm] deep

BLADES: J style, 18 ga. galvanized steel, positioned at 45° angles on approximately 6" [152mm] centers.

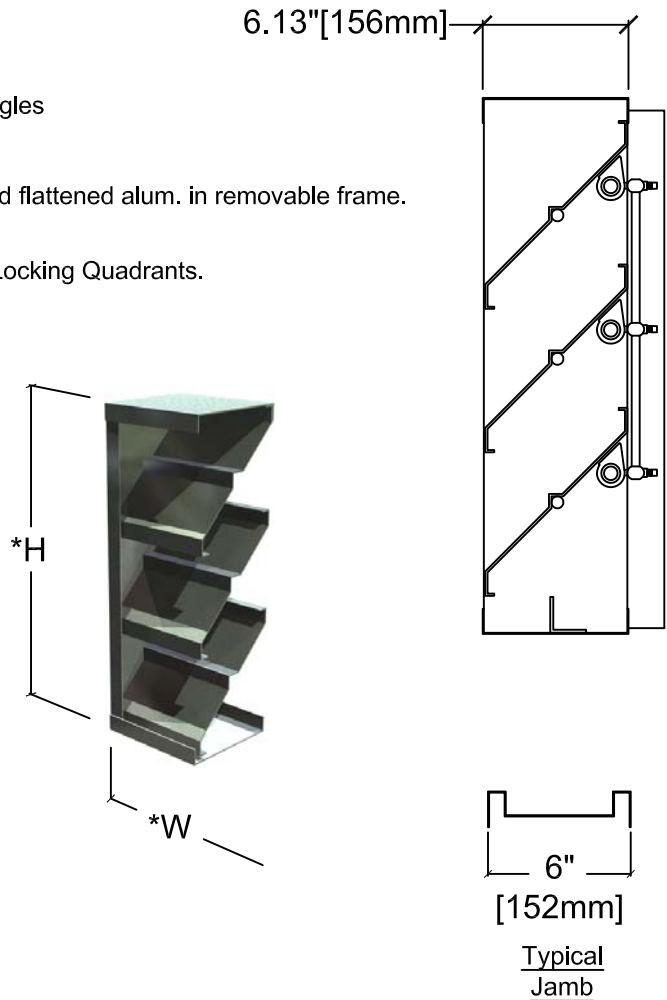
BIRDSCREEN: 0.50" x 0.050" [12.70mm x 1.27mm] Expanded flattened alum. in removable frame. Screen is mounted on inside (rear)

OPERATOR: Louvers without actuators will be supplied with Locking Quadrants.

FINISH: Mill Galvanized

MINIMUM SIZE: 8"w x 12"h [203mm x 305mm]

MAXIMUM SIZE: 48"w x 72"h [1219mm x 1829mm]
Larger sizes made in multiple sections.



OPTIONS:

- Flanged Frame (1.50" std.) [38mm]
- Custom Flange (1", 2", or 3") [25mm, 51mm. or 76mm]
- Filter Racks (no screen)
- Hinged Sub Frame
- Welded Construction
- Insect Screen (Other Screens Available, See Screen Page)
- Actuator: See Actuator Selection Chart
- Aluminum Construction
- 304 Stainless Steel Construction
- 316 Stainless Steel Construction
- Blade Seals
- Extended Sill
- Security Bars
- Jamb Seals

Powder Polyester TGIC (2 coats) baked on at 410°F [210° C], 2.5 to 3.5 mils Meets AAMA-2603 Standards

Powder Super durable polyester (2 coats) baked on at 410°F [210° C], 2.5 to 3.5 mils Meets AAMA-2604-05 Standards

Acrylic baked enamel (ACRA-BOND® ULTRA) by AkzoNobel baked on at 350°F [177° C], 0.8 to 1.2 mils dry Meets AAMA-2603 Standards

Kynar® (ALUM*A*STAR®) 2 coats by AkzoNobel baked on at 450°F [222° C], 1.2 to 1.6 mils dry Meets AAMA-2604-05 Standards

Kynar 500® or HYLAR® 5000 70% TRINAR® (2 coats) by AkzoNobel baked on at 450°F [222° C], 1.2 to 1.6 mils dry, Meets AAMA-2605-05 Standards

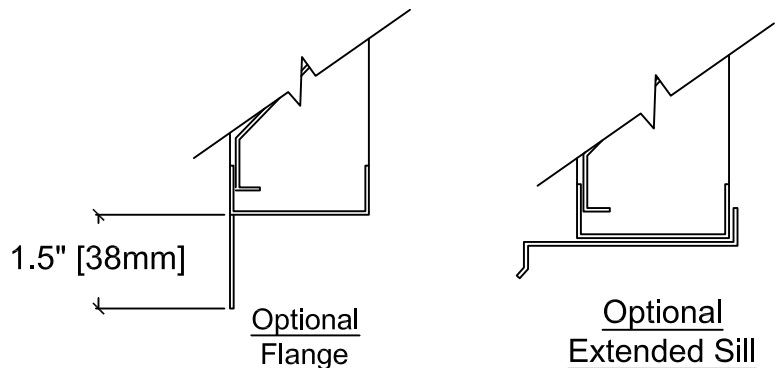
Kynar 500® or HYLAR® 5000 (70% Tri-Escent II) (2 coats) by AkzoNobel, a superior finish to other metallic or anodized finishes. A blend of mica, ceramic, and inorganic pigments creates subtle yet dazzling design that goes beyond metallic color without the requirement of a clear coat. 14 standard colors - custom colors available. Baked on at 415°F [213° C], 1.4 to 1.8 mils dry, meets AAMA 2605-05.

Clear Anodize 204 R-1 Class II (AA-C22A31)(0.4 to 0.7 mil)

Clear Anodize 215 R-1 Class I (AA-C22A41)(>0.7 mil)

Integral Color Anodize (AA-C22A42)(>0.7 mil)

- Clear coat available for all above finishes.
- Hylar® 5000 is a registered trademark of Solvay Solexis, Inc.
- Kynar® 500 is a registered trademark of Arkema.
- ALUM*A*STAR® 50 and TRINAR® are registered trademarks of AkzoNobel
- ACRA-BOND® ULTRA is a registered trademark of AkzoNobel

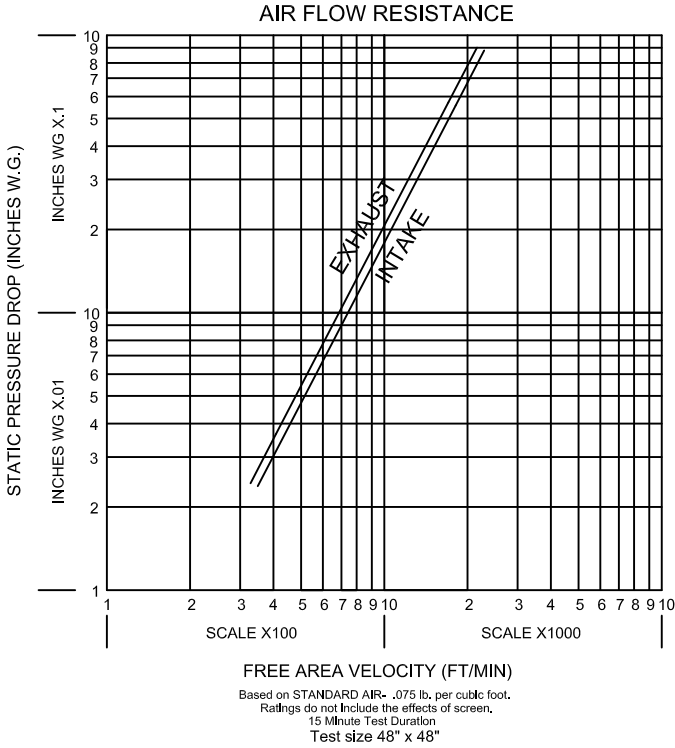


*W & H dimensions furnished approximately 1/4" [6.35mm] under size.

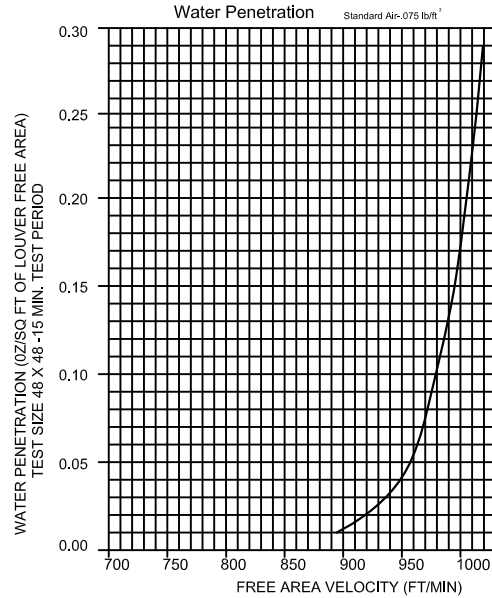
Due to continuing research, United Enertech reserves the right to change specifications without notice.

		3005 South Hickory Street Chattanooga, Tennessee 37407 Tel: (423) 698-7715 Fax: (423) 698-6629 www.unitedenertech.com			
		MODEL SAFL-6 (6" [152mm] ADJUSTABLE STEEL LOUVER)			
DRAWN BY:	DATE:	REV. DATE:	REV. NO.	APPROVED BY:	DWG. NO.:
MHM	4-9-10	4-12-13	3	BGT	A-28

SAFL-6 LOUVER PERFORMANCE DATA



Model SAFL-6 resistance to airflow varies depending on louver application (air intake or air exhaust). Free area velocities (shown) are higher than average velocity through the overall louver size. See louver selection information.



LOUVER SELECTION AND APPLICATION

Application of any louver involves selecting an airflow velocity through the louver free area (free area velocity in fpm) that produces an acceptable pressure drop and minimizes carry through of normally encountered rain water.

No louver manufacturer warrants their louver to prevent water penetration under all possible combinations of wind and rain. Water penetration through SAFL-6 begins at approximately 896 FPM free area velocity. Intake air louver selection using free area velocity below 896 FPM is recommended. Louver selection involves the following two steps, and depending on air conditions, either step may come first.

Select Free Area Velocity:

Using the Airflow Resistance Chart, select a free area velocity that produces an acceptable pressure drop with minimal water penetration. (Water penetration need not be considered when selecting exhaust louvers.)

Determine Louver Free Area:

Using the free area velocity from the previous step and total CFM, determine Louver Free Area required. Using Louver Free Area Chart, select a louver with the required free area. If louver size is given, determine free area from chart and work backwards to determine maximum airflow. See examples below.

Free Area Chart (square feet):

Louver Height Inches	Louver Width in Inches										Louver Height Inches
	8	12	18	24	30	36	42	48	54	60	
12	0.1	0.11	0.3	0.41	0.53	0.65	0.77	0.88	1	1.12	12
18	0.22	0.23	0.65	0.90	1.16	1.41	1.67	1.92	2.18	2.43	18
24	0.34	0.41	1.00	1.39	1.79	2.18	2.57	2.97	3.36	3.75	24
30	0.46	0.67	1.35	1.88	2.41	2.94	3.48	4.01	4.54	5.07	30
36	0.59	.84	1.7	2.37	3.04	3.71	4.38	5.05	5.72	6.39	36
42	0.74	1.11	2.15	2.99	3.83	4.68	5.52	6.37	7.21	8.06	42
48	0.88	1.28	2.55	3.55	4.56	5.56	6.56	7.57	8.57	9.57	48
54	1.02	1.54	2.95	4.12	5.28	6.44	7.60	8.77	9.93	11.09	54
60	1.16	1.72	3.36	4.68	6.00	7.32	8.64	9.96	11.29	12.61	60
66	1.30	1.98	3.76	5.24	6.72	8.20	9.68	11.16	12.64	14.12	66
72	1.43	2.16	4.16	5.80	7.43	9.07	10.70	12.34	13.98	15.61	72
78	1.55	2.42	4.51	6.28	8.06	9.83	11.61	13.38	15.16	16.93	78
84	1.67	2.60	4.86	6.77	8.69	10.60	12.51	14.42	16.34	18.25	84
90	1.79	2.86	5.21	7.26	9.31	11.36	13.42	15.47	17.52	19.57	90
96	1.92	3.03	5.56	7.75	9.94	12.13	14.32	16.51	18.70	20.89	96