

SINGLE BLADE- MODEL EB

Model EB is an ideal manual balancing damper for duct up to 24" x 12".

STANDARD CONSTRUCTION

Frame: 24 Ga. Galvanized Steel, 6" deep

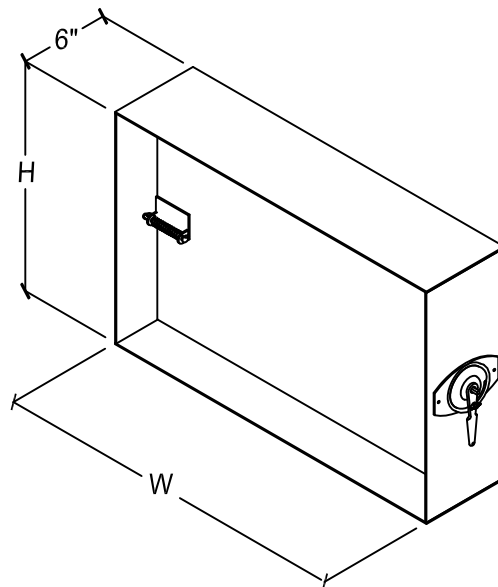
Blade: 24 Ga. Galvanized Steel, reinforced as required

Axles: 1/4" pins -welded to blade

Hand Quadrant: Zinc Plated Regulator with cast zinc axle

Finish: Galvanized

Maximum
 Velocity: 1400 FPM



Undersize approx. 1/4"

VARIATIONS:

- 2" Stand-Off Quadrant
- All Aluminum w/ steel plated quadrant



Job Name:	<input type="checkbox"/> MODEL EB		
Location:			
Architect:	DRAWN BY:	DATE:	REV. DATE:
Engineer:	CLJ	8-10-93	1-6-11
Contractor:	REV. NO.	APPROVED BY:	DWG. NO.:
	9	BGT	A-22