

SINGLE BLADE- MODEL SB

Model SB is an ideal manual balancing damper for duct 36" x 12" [914mm x 305mm]. with a minimum height of 4" [102mm]

STANDARD CONSTRUCTION

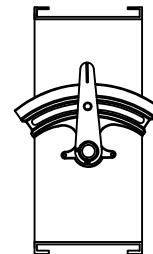
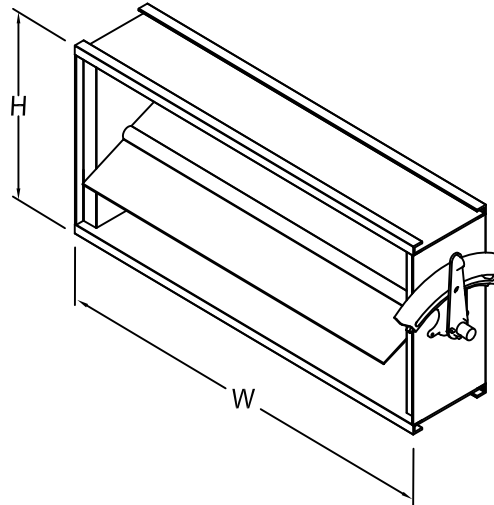
Frame: 0.081" Aluminum, 4-1/2" [114mm] deep

Blade: 0.125" [2.06mm] Aluminum

Bearing: Nylon 6/6

Hand Quadrant: 1/2" [13mm] cast zinc

Maximum
 Velocity: 2000 FPM



Undersize approx. 1/4" [6.35mm]

VARIATIONS:

- 2" [51mm] Stand-Off Quadrant
- All Stainless Steel including quadrant



Job Name:	
Location:	
Architect:	
Engineer:	
Contractor:	

MODEL SB

DRAWN BY: CLJ	DATE: 4-1-94	REV. DATE: 9-29-16
REV. NO. 14	APPROVED BY: BGT	DWG. NO.: A-21