

SINGLE BLADE- MODEL SB

Model SB is an ideal manual balancing damper for duct up to 36" x 12".

STANDARD CONSTRUCTION

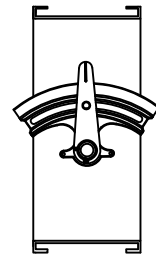
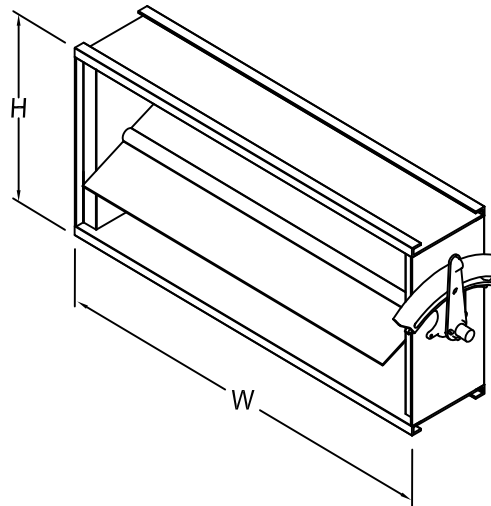
Frame: .081" Aluminum, 4-1/2" deep

Blade: .125" Aluminum

Bearing: Nylon 6/6

Hand Quadrant: 1/2" cast zinc

Maximum
 Velocity: 2000 FPM



Undersize approx. 1/4"

VARIATIONS:

- 2" Stand-Off Quadrant
- All Stainless Steel including quadrant



Job Name:	<input type="checkbox"/> MODEL SB		
Location:			
Architect:	DRAWN BY:	DATE:	REV. DATE:
Engineer:	CLJ	4-1-94	1-6-11
Contractor:	REV. NO.	APPROVED BY:	DWG. NO.:
	12	BGT	A-21