

MODEL SFL-D-2

2" [51mm] FIXED/DRAINABLE STEEL LOUVER

STANDARD CONSTRUCTION:

FRAME: 18 ga. galvanized steel, 2.13" [54mm] deep

BLADES: Drainable, 18 ga. galvanized steel, positioned at 45° angles on approximately 1.88" [48mm] centers.

BIRDSCREEN: 0.50" x 0.050 [12.70mm x 1.27mm] Expanded flattened alum. in removable frame. Screen is mounted on inside (rear)

FINISH: Mill Galvanized

MINIMUM SIZE: 8"w x 12"h [203mm x 305mm]

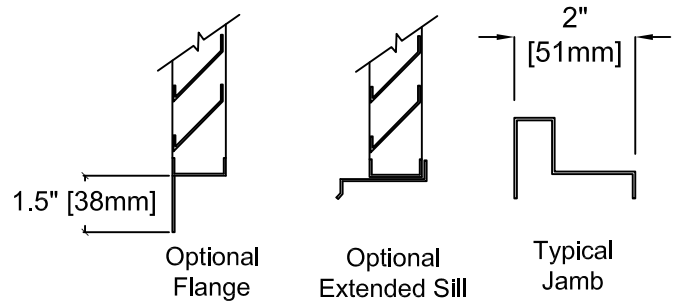
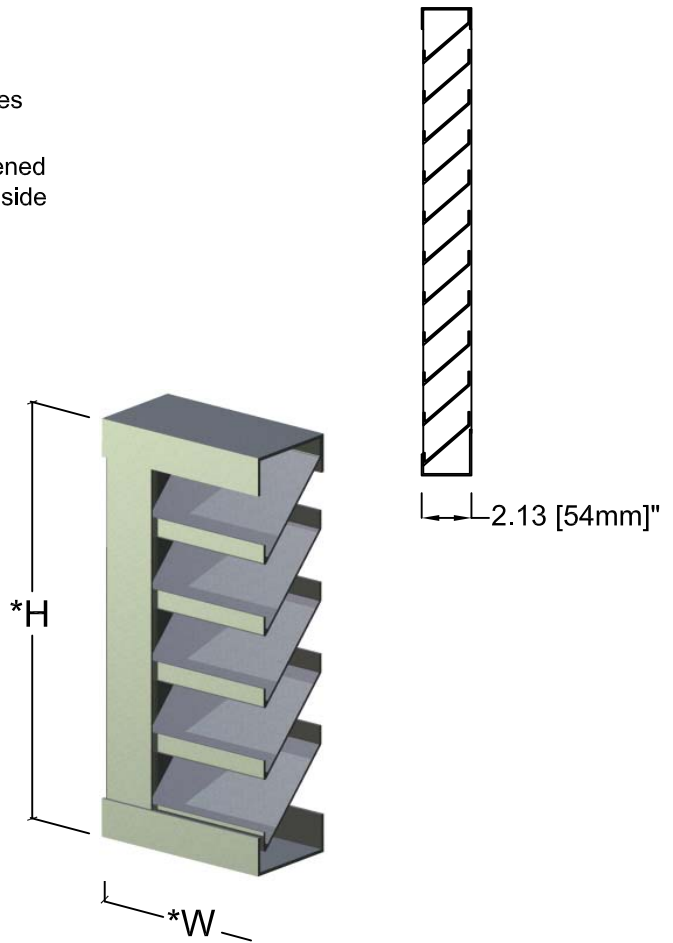
MAXIMUM SECTION SIZE: 96"w x 72"h [2438mm x 1829mm]
Larger sizes made in multiple sections.

OPTIONS:

- Flanged Frame (1.5" [38mm] std.)
- Custom Flange (1", 2", or 3") [25mm, 51mm, 76mm]
- Extended Sill
- Insect Screen (Other Screens Available, See Screen Page)
- Filter Racks (no screen)
- Security Bars
- Hinged Sub Frame
- Welded Construction
- Blank-off, Steel, non-insulated, no screen, non-removeable
- Blank-off, Steel, non-insulated, with bird screen or insect screen
- Blank-off, Steel, insulated double wall, with bird screen, removable
- Blank-off, Steel, insulated double wall, no screen, non-removeable
- Aluminum Construction
- 304 Stainless Steel Construction
- 316 Stainless Steel Construction

AVAILABLE FINISHES:

- Powder Polyester TGIC** (2 coats) baked on at 410°F [210° C], 2.5 to 3.5 mils Meets AAMA-2603 Standards
- Powder Super durable polyester** (2 coats) baked on at 410°F [210° C], 2.5 to 3.5 mils Meets AAMA-2604-05 Standards
- Acrylic baked enamel (ACRA-BOND® ULTRA)** by AkzoNobel baked on at 350°F [177° C], 0.8 to 1.2 mils dry Meets AAMA-2603 Standards
- Kynar® (ALUM*A*STAR®)** 2 coats by AkzoNobel baked on at 450°F [222° C], 1.2 to 1.6 mils dry Meets AAMA-2604-05 Standards
- Kynar 500®** or **HYLAR® 5000 70% TRINAR®** (2 coats) by AkzoNobel baked on at 450°F [222° C], 1.2 to 1.6 mils dry, Meets AAMA-2605-05 Standards
- Kynar 500®** or **HYLAR® 5000 (70% Tri-Escent II)** (2 coats) by AkzoNobel, a superior finish to other metallic or anodized finishes. A blend of mica, ceramic, and inorganic pigments creates subtle yet dazzling design that goes beyond metallic color without the requirement of a clear coat. 14 standard colors - custom colors available. Baked on at 415°F [213° C], 1.4 to 1.8 mils dry, meets AAMA 2605-05.
- Clear Anodize 204 R-1 Class II (AA-C22A31)**(0.4 to 0.7 mil)
- Clear Anodize 215 R-1 Class I (AA-C22A41)**(>0.7 mil)
- Integral Color Anodize (AA-C22A42)**(>0.7 mil)
 - Clear coat available for all above finishes.
 - Hylar® 5000 is a registered trademark of Solvay Solexis, Inc.
 - Kynar® 500 is a registered trademark of Arkema.
 - ALUM*A*STAR® 50 and TRINAR® are registered trademarks of AkzoNobel
 - ACRA-BOND® ULTRA is a registered trademark of AkzoNobel



*Width and Height dimensions are approximately 1/4" [6.35mm] under listed size.

Due to continuing research, United Enertech reserves the right to change specifications without notice.

	3005 South Hickory Street Chattanooga, Tennessee 37407 Tel: (423) 698-7715 Fax: (423) 698-6629 www.unitedenertech.com				
	<p>MODEL SFL-D-2 (2" FIXED/DRAINABLE STEEL LOUVER)</p>				

DRAWN BY: MHM	DATE: 3-30-10	REV. DATE: 10-2-13	REV. NO. 3	APPROVED BY: BGT	DWG. NO.: A-10
------------------	------------------	-----------------------	---------------	---------------------	--------------------------