



MODEL FD-C

CURTAIN FIRE DAMPER

U.L. 555 CLASSIFIED 1 1/2 AND 3 HOURS
FOR USE IN STATIC SYSTEMS

Application and Design

The Model FD-C is UL Classified for installation in walls, floors, and partitions with a fire rating of less than 3 hours. This damper may be installed vertically or horizontally in static HVAC systems that automatically shut down in the event of fire. (See optional 3 hr rating)

Standard Construction

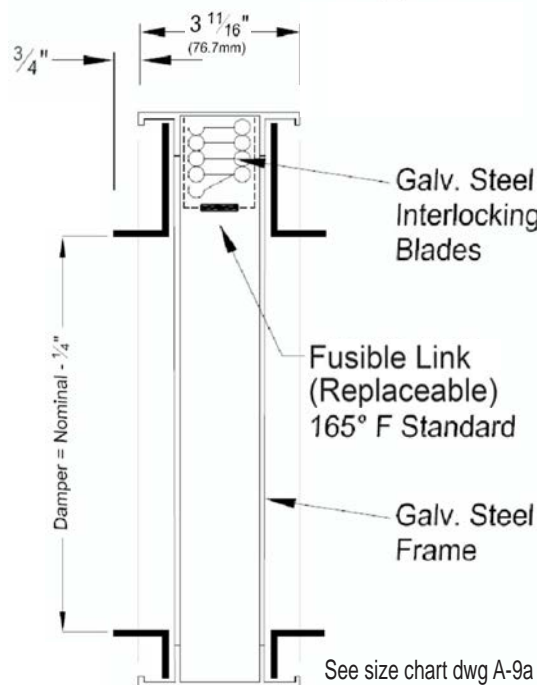
Frame: Roll formed Frame - Galvanized Steel

Blades: Low Profile Roll Formed - Galvanized Steel

Closure Springs (horizontal models only): Stainless Steel constant force coil

Fusible Link - UL-33: UL Listed 165°F (Standard), 212°F (Optional)

Model FD-C meets or complies with the following as a fire damper:
All major building codes, including IBC/ICC International Code
UL 555 Listing 1-1/2 Hour - File #R25410
ULC S112
NFPA - 90A, 80



See size chart dwg A-9a

Options:

- Factory Sleeve: _____ Ga. (20 Ga Min.)
Sleeve Length: _____ inches
- Retaining Angles
 - One Side
 - Both Sides
- 3 Hour Rating
- Taped & Sealed Transition
for Medium Pressure System
- Caulked & Sealed Damper Frame/Sleeve
- Mounting:
 - Horizontal
 - Vertical

Standard Sizes (duct) 1-1/2 Hour			
Transition	Min. V or H	*Max. Vertical Size	*Max. Horizontal Size
Rectangular or Oval	3" X 3" 76mm X 76mm	119"W X 114"H 3023mm X 2896mm	119"W X 35"H 3023mm X 889mm or 95"W X 42"H 2413mm X 1067mm
Round	3" 76mm	48" 1219mm	42" 1067mm

Standard Sizes (duct) 3 Hour			
Transition	Min. V or H	*Max. Vertical Size	*Max. Horizontal Size
Rectangular or Oval	4" X 4" 102mm X 102mm	79"W X 35"H 2007mm X 889mm	79"W X 35"H 2007mm X 889mm
Round	4" 102mm	36" 914mm	36" 914mm

* May consist of multi-sections.

** Dampers are furnished Approx. 1/4" undersized as given duct dimensions, unless otherwise noted

Job Name:
Location:
Architect:
Engineer:
Contractor:

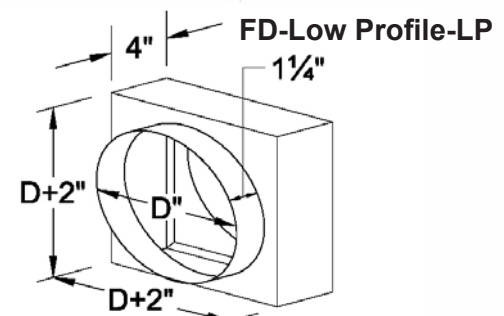
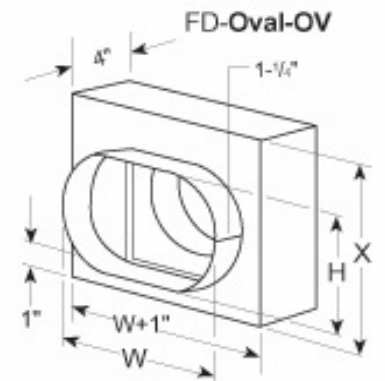
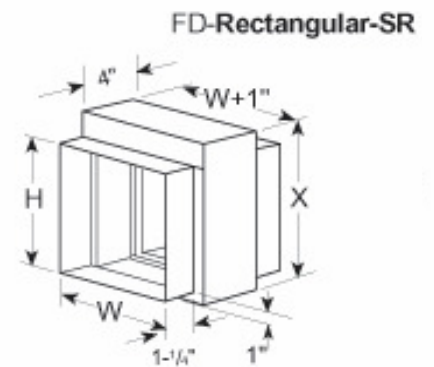
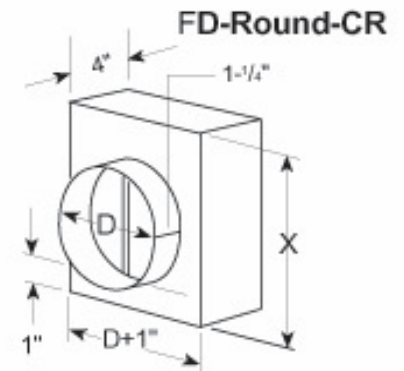
<input type="checkbox"/> MODEL FD-C	<input type="checkbox"/> Rectangular	
	<input type="checkbox"/> Round	
	<input type="checkbox"/> Oval	
	<input type="checkbox"/> Round (Low Profile)	
DRAWN BY: MAB	DATE: 10-24-07	REV. DATE: 09-11-08
REV. NO. 3	APPROVED BY: SDC	DWG. NO.: A-9



MODEL FD-C
STATIC CURTAIN TYPE FIRE DAMPERS
HORIZONTAL AND VERTICAL — 1¹/₂ & 3 HOUR
FIRE DAMPER SIZE CHART

Duct Height	Type CR, SR & OV Damper Height
Inches	Inches
3	6
4	7
5	8
6	9
7	10
8	11
9	12
10	13
11	14
12	15
13	16
14	17
15	18
16	19
17	20
18	21
19	22
20	23
21	25
22	26
23	27
24	28
25	29
26	30
27	31
28	32
29	33
30	34
31	35
32	37
33	38
34	39
35	40
36	41
37	42
38	43
39	44
40	45
41	46
42	47
43	49
44	50
45	51
46	52
47	53
48	54
49	55
50	56
51	57
52	58
53	59
54	60
55	59
56	60
57	61
58	62
59	63
60	64
61	65

Duct Height	Type CR, SR & OV Damper Height
Inches	Inches
62	66
63	67
64	68
65	70
66	71
67	72
68	73
69	74
70	75
71	76
72	77
73	78
74	79
75	80
76	81
77	82
78	83
79	84
80	85
81	86
82	87
83	88
84	89
85	91
86	92
87	93
88	94
89	95
90	96
91	97
92	98
93	99
94	100
95	101
96	102
97	103
98	104
99	105
100	106
101	107
102	108
103	109
104	110
105	111
106	112
107	113
108	114
109	115
110	116
111	117
112	118
113	119
114	120



W = Width (Duct)

H = Height (Duct)

X = Variable (See Size Chart)

X = DAMPER HEIGHT